

TRANSDUCER ALTER 04BL

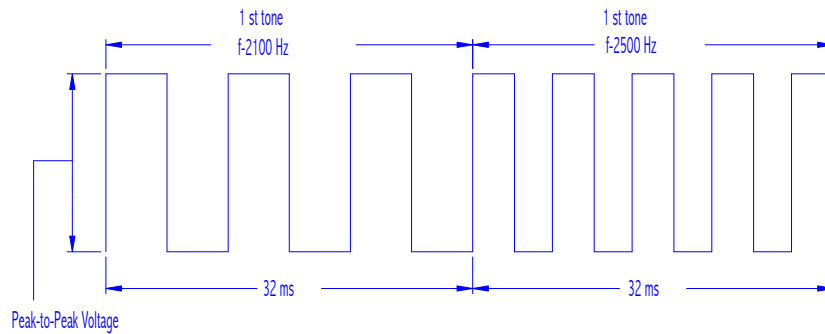
1. COMPONENT REQUIREMENTS

	TYPE	unit	ST-04BL
1	RATED VOLTAGE	(V)	3.6
2	OPERATING VOLTAGE	(V)	2-4
3	CURRENT CONSUMPTION	(mA)	MAX. 70
4	COIL RESISTANCE	(Ω)	15 \pm 3
5	SOUND OUTPUT Distance at 5 cm	(dB)	MIN.100(Typical 102)
6	RESONANCE FREQUENCY	(Hz)	2300
7	OPERATING TEMP.	(°C)	-30 \sim +85
8	STORAGE TEMP.	(°C)	-40 \sim +85
9	WEIGHT	(g)	1
10	TERMINAL		SMD TYPE
11	DIMENSION	mm	L8.5 X W8.5 XH4.0

2. TEST CONFIGURATIONS

☉ Alert Tone Waveform

- The ETACS alert tone will switch between two frequencies in 30 ms for a duration 0.4 sec also in the form of a square wave with a 50% duty cycle. It is off for 0.2 sec before alerting again.
- GSM Alert Tone: Switches between 2 frequencies in 32 ms increments for 1 second. Then the signal is off for 4 sec. after which the cycle repeats. The frequencies are square waves each with a 50% duty cycle.



3. TEST FIXTURE

