

Specifications:

Materials:
 CASE: NYLON 66 UL94HB, 30% GF-BLACK
 ACTUATOR: SEE P/N TABLE
 COVER: STEEL-TIN PLATE
 MOVING CONTACT: COPPER ALLOY-SILVER PLATE
 FIXED CONTACT/TERMINAL: COPPER ALLOY-SILVER OVER NICKEL PLATE

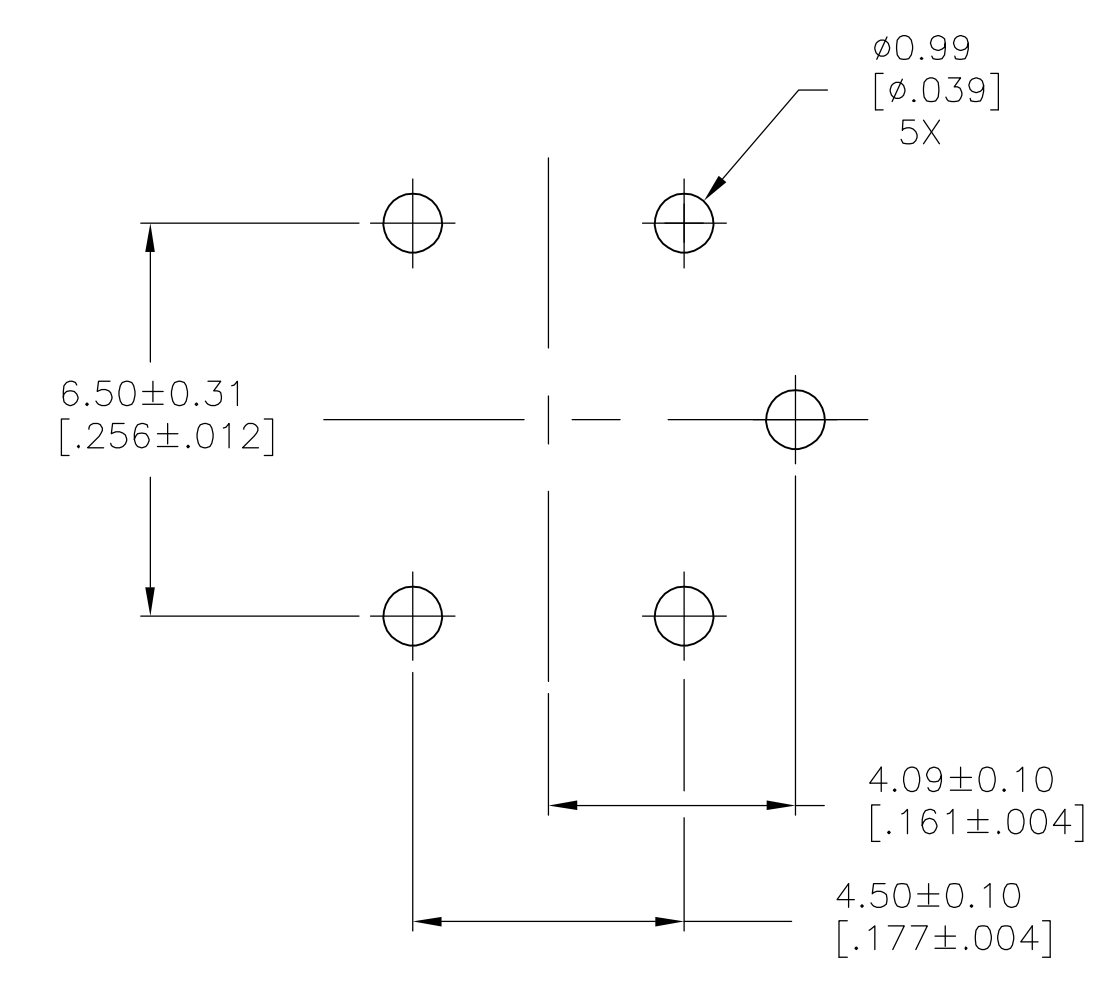
Electrical:
 Max Contact Rating: 50 milliamp@ 24V DC
 Min Contact Rating: 10 microamp@1V DC
 Initial Contact resistance, 100 milliohms max
 Insulation Resistance, 100 Megohm min. @ 100V DC
 Dielectric strength, 500 V AC for 1 minute
 Life Expectancy, 100,000 cycles min (2 cycles per second and 150% actuation force)

Mechanical:
 Actuation force, See Table
 Actuation Travel, .010 +.008/-.004
 Life Expectancy, 100,000 cycles min (2 cycles per second and 150% actuation force)

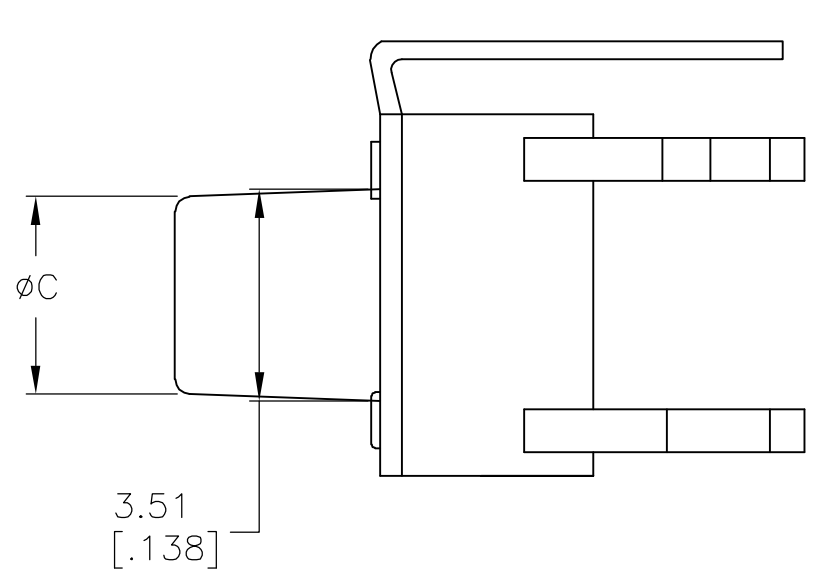
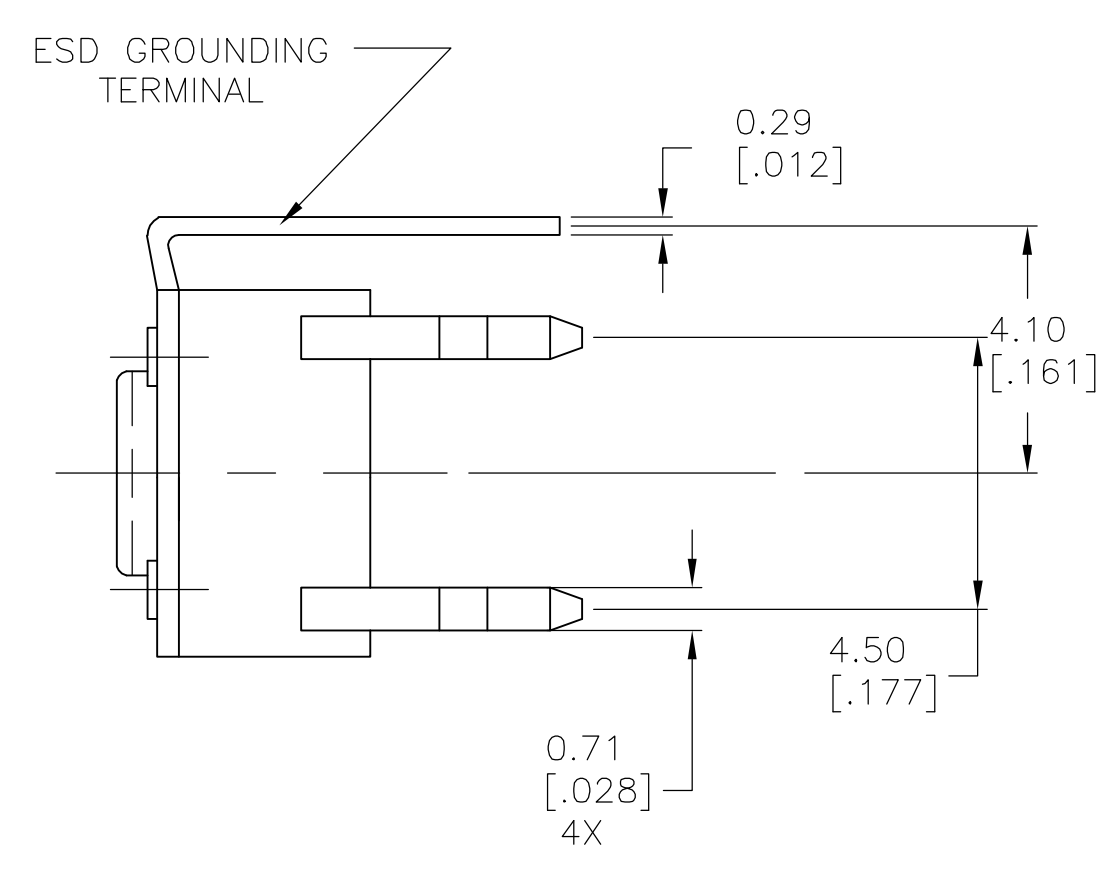
Environmental:
 Operating Temperature, -35 to +85 degrees C
 Storage Temperature, -35 to +85 degrees C
 Thermal Shock, Per EIA-364-32C, -35 to +85 degrees C
 Solderability, Per EIA-364-52, Class 2, Category 1, Category 2, 95% Minimum coverage
 Resistance to Solder Heat, Per 109-202, Condition B

Notes:
 1. ALL MATERIALS AND FINISHES SHALL COMPLY WITH EU DIRECTIVE 2002/95/EC OF 27JAN2003 (ROHS).

PART NO.	COLOR	ACTUATOR	ACTUATION FORCE	DIM C	DIM B	DIM A	ALCO P/N	TYCO P/N
PA6T	YELLOW	520 +/-100 GF	3.09(.122)	8.50(.335)	4.90(.193)	FSM17JAAH	3-1825955-6	
PA6T	WHITE	260 +/-50 GF	3.09(.122)	8.50(.335)	4.90(.193)	FSM17JAH	3-1825955-5	
PPS	BLACK	160 +/-50 GF	3.09(.122)	8.50(.335)	4.90(.193)	FSM17JH	3-1825955-4	
PPS	BROWN	100 +/-50 GF	3.09(.122)	8.50(.335)	4.90(.193)	FSM17JLH	3-1825955-3	
PA6T	YELLOW	520 +/-100 GF	2.80(.110)	17.00(.669)	13.40(.527)	FSM15JAAH	3-1825955-2	
PA6T	WHITE	260 +/-50 GF	2.80(.110)	17.00(.669)	13.40(.527)	FSM15JAH	3-1825955-1	
PPS	BLACK	160 +/-50 GF	2.80(.110)	17.00(.669)	13.40(.527)	FSM15JH	3-1825955-0	
PPS	BROWN	100 +/-50 GF	2.80(.110)	17.00(.669)	13.40(.527)	FSM15JLH	2-1825955-9	
PA6T	YELLOW	520 +/-100 GF	2.87(.118)	13.00(.512)	9.40(.370)	FSM13JAAH	2-1825955-8	
PA6T	WHITE	260 +/-50 GF	2.87(.118)	13.00(.512)	9.40(.370)	FSM13JAH	2-1825955-7	
PPS	BLACK	160 +/-50 GF	2.87(.118)	13.00(.512)	9.40(.370)	FSM13JH	2-1825955-6	
PPS	BROWN	100 +/-50 GF	2.87(.118)	13.00(.512)	9.40(.370)	FSM13JLH	2-1825955-5	
PA6T	YELLOW	520 +/-100 GF	3.20(.126)	8.00(.315)	4.40(.173)	FSM11JAAH	2-1825955-4	
PA6T	WHITE	260 +/-50 GF	3.20(.126)	8.00(.315)	4.40(.173)	FSM11JAH	2-1825955-3	
PPS	BLACK	160 +/-50 GF	3.20(.126)	8.00(.315)	4.40(.173)	FSM11JH	2-1825955-2	
PPS	BROWN	100 +/-50 GF	3.20(.126)	8.00(.315)	4.40(.173)	FSM11JLH	2-1825955-1	
PA6T	YELLOW	520 +/-100 GF	3.25(.128)	7.30(.287)	3.70(.146)	FSM9JAAH	2-1825955-0	
PA6T	WHITE	260 +/-50 GF	3.25(.128)	7.30(.287)	3.70(.146)	FSM9JAH	1-1825955-9	
PPS	BLACK	160 +/-50 GF	3.25(.128)	7.30(.287)	3.70(.146)	FSM9JH	1-1825955-8	
PPS	BROWN	100 +/-50 GF	3.25(.128)	7.30(.287)	3.70(.146)	FSM9JLH	1-1825955-7	
PA6T	YELLOW	520 +/-100 GF	3.10(.122)	9.50(.374)	5.90(.232)	FSM7JAAH	1-1825955-6	
PA6T	WHITE	260 +/-50 GF	3.10(.122)	9.50(.374)	5.90(.232)	FSM7JAH	1-1825955-5	
PPS	BLACK	160 +/-50 GF	3.10(.122)	9.50(.374)	5.90(.232)	FSM7JH	1-1825955-4	
PPS	BROWN	100 +/-50 GF	3.10(.122)	9.50(.374)	5.90(.232)	FSM7JLH	1-1825955-3	
PA6T	YELLOW	520 +/-100 GF	3.30(.130)	7.00(.276)	3.40(.134)	FSM5JAAH	1-1825955-2	
PA6T	WHITE	260 +/-50 GF	3.30(.130)	7.00(.276)	3.40(.134)	FSM5JAH	1-1825955-1	
PPS	BLACK	160 +/-50 GF	3.30(.130)	7.00(.276)	3.40(.134)	FSM5JH	1-1825955-0	
PPS	BROWN	100 +/-50 GF	3.30(.130)	7.00(.276)	3.40(.134)	FSM5JLH	1825955-9	
PA6T	YELLOW	520 +/-100 GF	N/A	5.00(.196)	1.40(.055)	FSM3JAAH	1825955-8	
PA6T	WHITE	260 +/-50 GF	N/A	5.00(.196)	1.40(.055)	FSM3JAH	1825955-7	
PPS	BLACK	160 +/-50 GF	N/A	5.00(.196)	1.40(.055)	FSM3JH	1825955-6	
PPS	BROWN	100 +/-50 GF	N/A	5.00(.196)	1.40(.055)	FSM3JLH	1825955-5	
PA6T	YELLOW	520 +/-100 GF	N/A	4.30(.169)	0.70(.028)	FSM1JAAH	1825955-4	
PA6T	WHITE	260 +/-50 GF	N/A	4.30(.169)	0.70(.028)	FSM1JAH	1825955-3	
PPS	BLACK	160 +/-50 GF	N/A	4.30(.169)	0.70(.028)	FSM1JH	1825955-2	
PPS	BROWN	100 +/-50 GF	N/A	4.30(.169)	0.70(.028)	FSM1JLH	1825955-1	
ACTUATOR MAT'L	ACTUATOR COLOR	ACTUATION FORCE	DIM C	DIM B	DIM A	ALCO P/N	TYCO P/N	



RECOMMENDED HOLE LAYOUT
 TOLERANCE ±.002
 UNLESS OTHERWISE NOTED



FSM5J THRU FSM17J

CIRCUIT CHARACTERISTICS			
CONTACT POSITION		CIRCUIT DIAGRAM	
OFF	(ON) 1-3 2-4		

THIS DRAWING IS A CONTROLLED DOCUMENT. DWN C. MORAN 290EC93
 DIMENSIONS: mm [INCHES] TOLERANCES UNLESS OTHERWISE SPECIFIED:
 0 PLC ± .15
 1 PLC ± .10
 2 PLC ± .075
 3 PLC ± .05
 4 PLC ± .031 [.012]
 ANGLES ± 1°
 MATERIAL SEE SPECIFICATIONS FINISH SEE SPECIFICATIONS

APD J. SYLVIA 30DEC93 NAME
 PRODUCT SPEC
 APPLICATION SPEC
 SIZE CAGE CODE DRAWING NO RESTRICTED TO
 WEIGHT - A1 00779 ©=1825955 -
 CUSTOMER DRAWING SCALE 8:1 SHEET 1 OF 1 REV A

Tyco Electronics Corporation
 Harrisburg, PA 17105-3608
 6MM TACT SWITCH, THRU-HOLE W/ESD