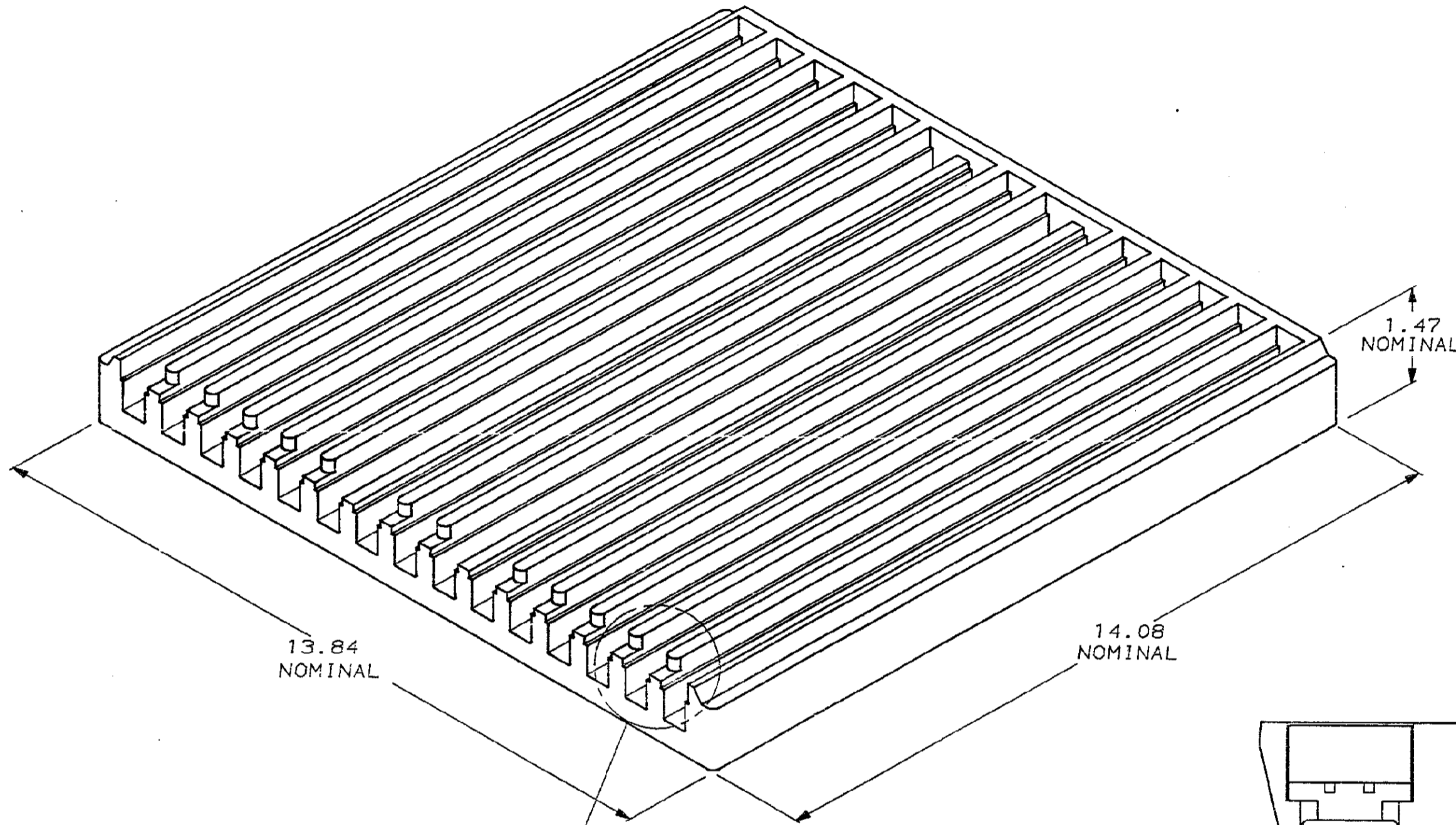


DRAWING MADE IN THIRD ANGLE PROJECTION

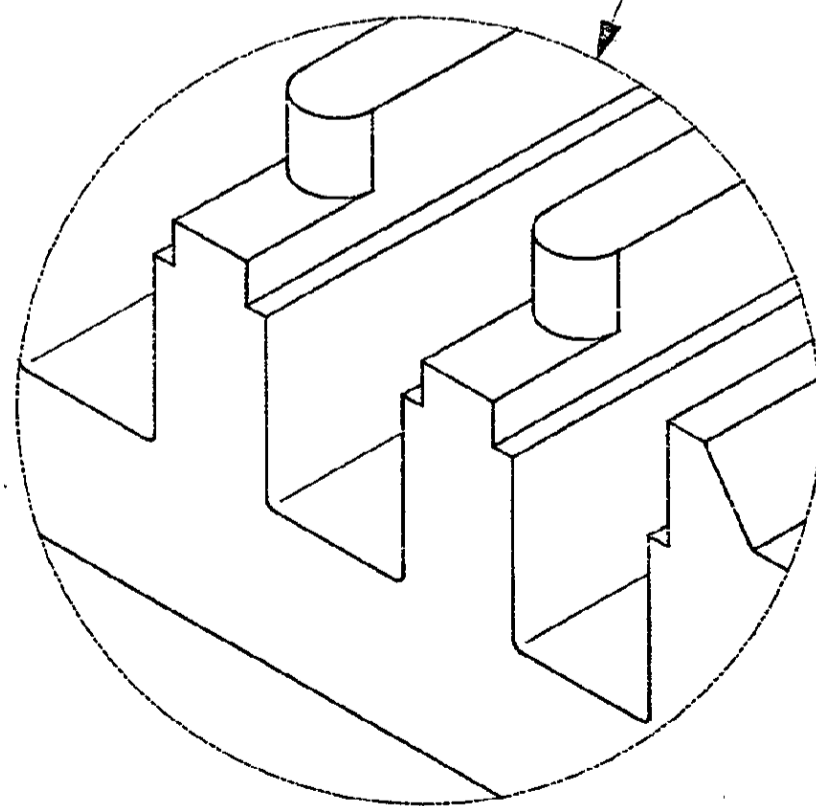
THIS DRAWING IS UNPUBLISHED. RELEASED FOR PUBLICATION  
 © COPYRIGHT 19 BY AMP INCORPORATED, HARRISBURG, PA. ALL INTERNATIONAL RIGHTS RESERVED. AMP PRODUCTS MAY BE COVERED BY U.S. AND FOREIGN PATENTS AND/OR PATENTS PENDING.

LOC	DIST	P	F	ZONE	LTR	DESCRIPTION	DATE	APPROVED
DK	100					RELEASED	10-22-85	dh
						ECN DK-060	1-15-88	FWA
						ECN DK-076	3-8-88	MEW

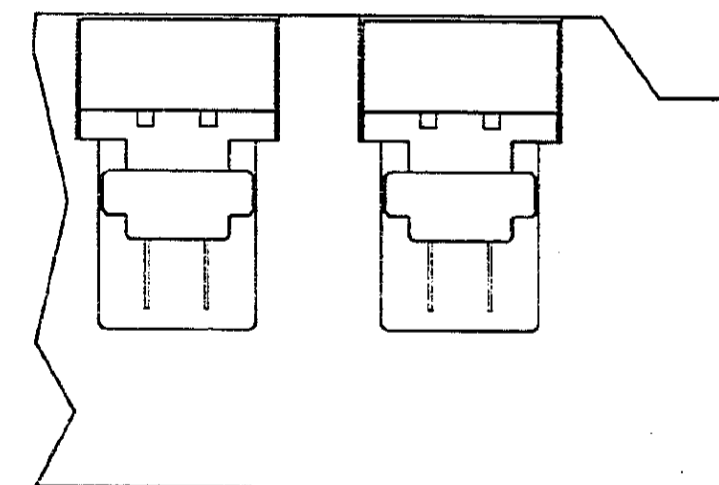


45	45	64
45	60	50
60	75	36
60	90	24
75	105	14
WITH BAIL LOCK HARDWARE	ALL OTHERS	POSITION
NO. OF PIECES PER TRAY		

-FOR REFERENCE ONLY-



SCALE 2:1



FRONT VIEW OF TRAY SHOWN WITH HOUSING ASSEMBLY INSERTED  
 -FOR REFERENCE ONLY-  
 SCALE 2:1

NOTE:  
 MATERIAL SHALL MEET THE ANTI-STATIC REQUIREMENTS OF AMP SPECIFICATION HS-69

698333

698333-1

UNLESS OTHERWISE SPECIFIED DIMENSIONS ARE IN INCHES TOLERANCES ON:		DR <i>d. Holt</i> 10-22-85		PART NO	
2 PL DEC ± -		CHK		AMP   AMP INCORPORATED Harrisburg, Pa. 17105	
3 PL DEC ± -		APPD		NAME	
ANGLES ± -		APPD		EPS TRAY, VERTICAL/ EDGE MOUNT, PCB, CHAMP	
MATERIAL EXPANDED POLYSTYRENE FOAM		PRODUCT SPEC		SIZE FSCM NO DRAWING NO	
FINISH		APPLICATION SPEC		C 00779 698333	
		WEIGHT		SCALE 1:2 SHEET 1 OF 1	