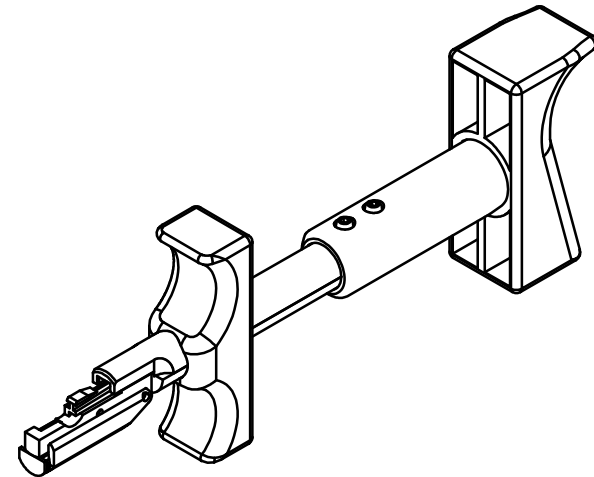
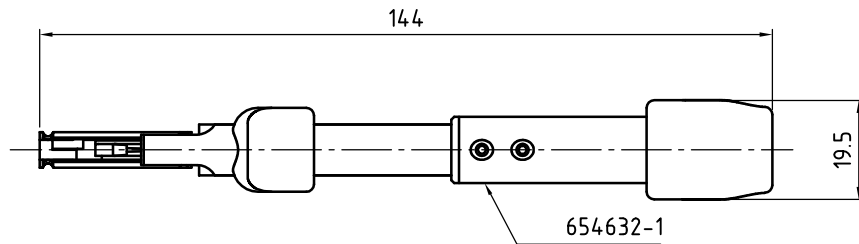
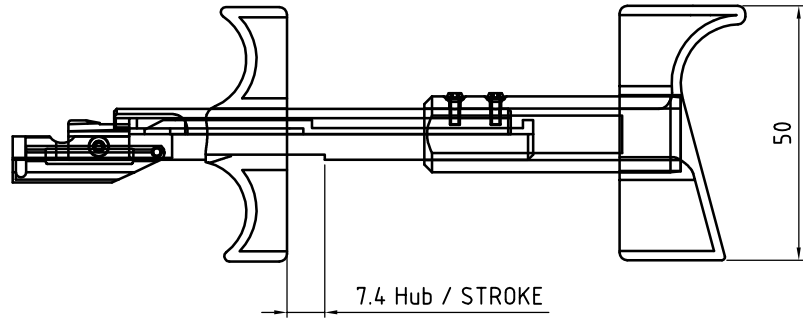


THIS DRAWING IS UNPUBLISHED. RELEASED FOR PUBLICATION
 © COPYRIGHT - BY TYCO ELECTRONICS CORPORATION. ALL INTERNATIONAL RIGHTS RESERVED.

LOC		DIST		REVISIONS			
P	LTR	DESCRIPTION		DATE	DWN	APVD	
	C	ECR-09-016824		29JUL09	LS	ML	



Mandrel: 654633-1 AWG 24/20
 Customer manual: 411-18509

Mandrels müssen separat bestellt werden.
 Mandrels have to be ordered separately.

THIS DRAWING IS A CONTROLLED DOCUMENT.		DWN L. Sandhu	28JUL09	 Tyco Electronics AMP GmbH 64625 Bensheim (Germany)	SERVICE TOOL MAXI TERMI POINT Service Tool Maxi Termi Point
DIMENSIONS: mm		CHK T. Weissgerber	29JUL09		
TOLERANCES UNLESS OTHERWISE SPECIFIED:		APVD T. Weissgerber	29JUL09	NAME	RESTRICTED TO
0 PLC ± - 1 PLC ± - 2 PLC ± - 3 PLC ± - 4 PLC ± - ANGLES ± -		PRODUCT SPEC 108-19028	APPLICATION SPEC 408-2019	SIZE A3	
MATERIAL		FINISH	WEIGHT 0,050kg	CAGE CODE 00779	DRAWING NO C=654632-1
CUSTOMER DRAWING				SCALE 1:1	SHEET 1 OF 1
				REV C	