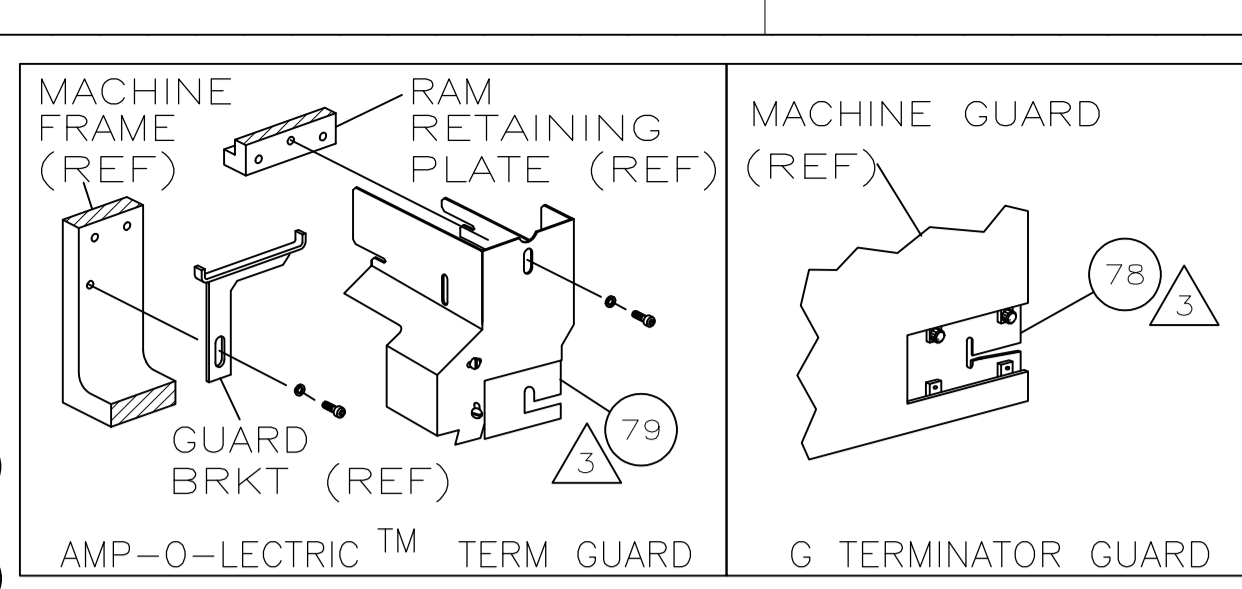
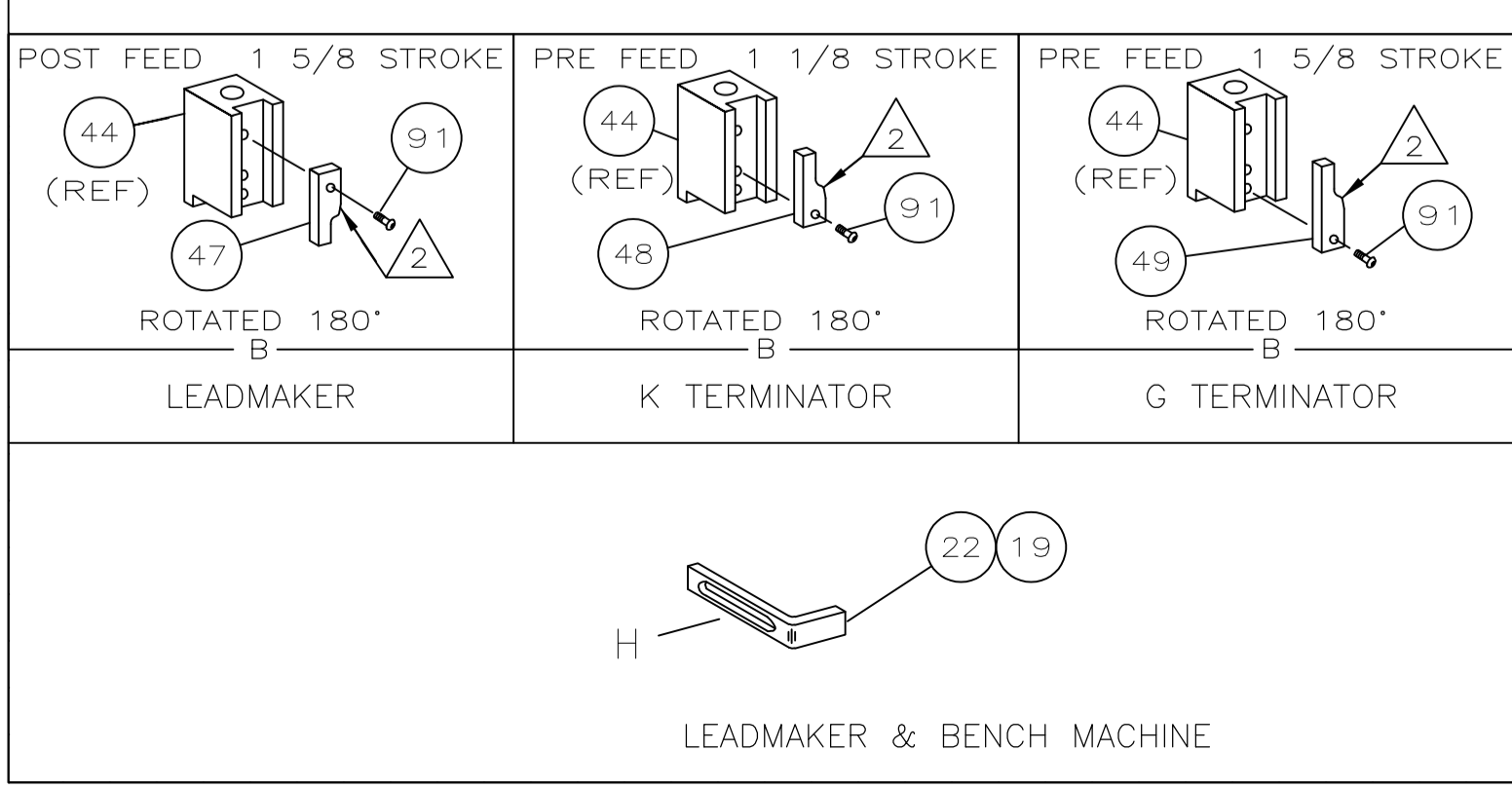
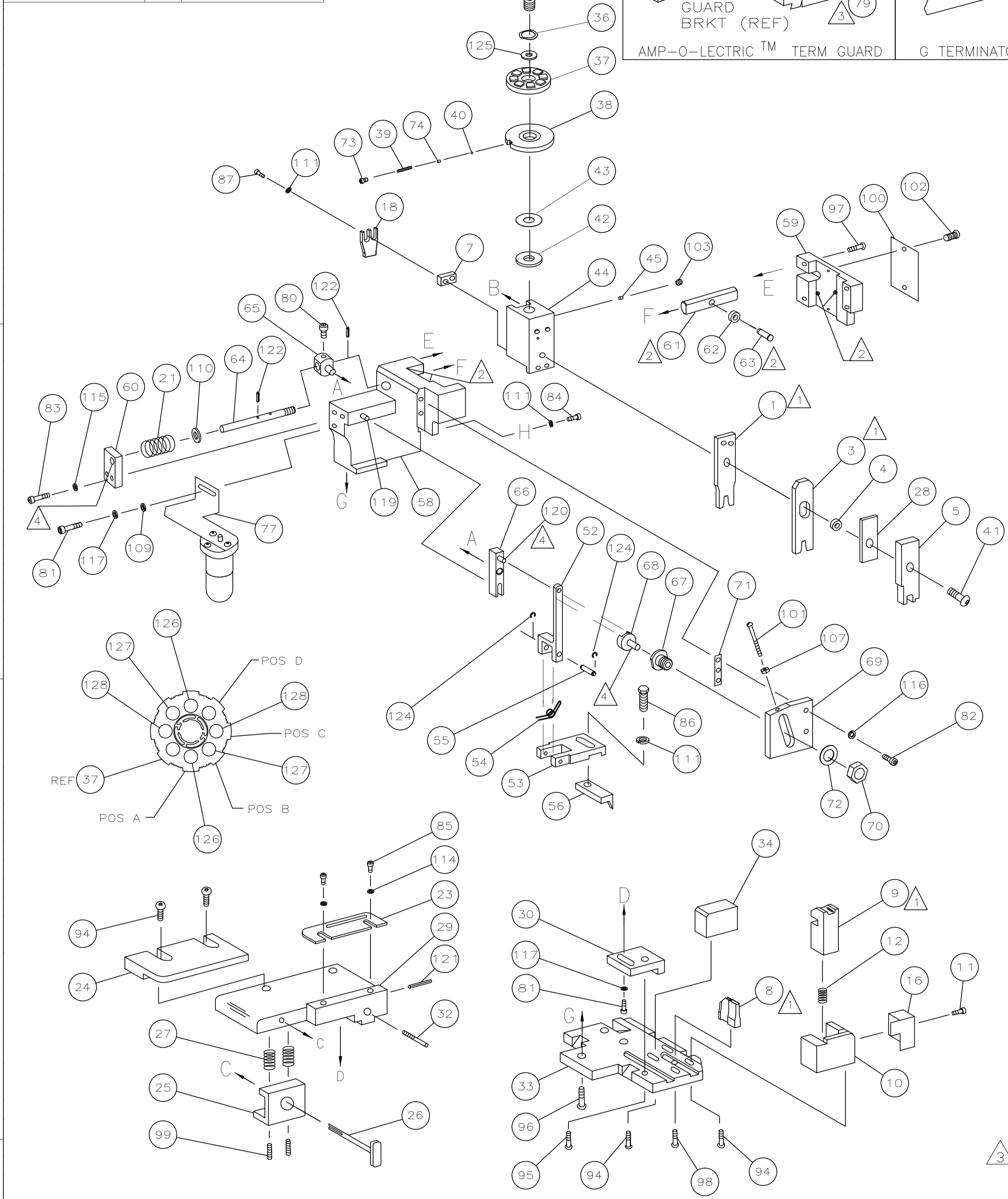


THIS DRAWING IS UNPUBLISHED. RELEASED FOR PUBLICATION
 © COPYRIGHT BY TYCO ELECTRONICS CORPORATION. ALL RIGHTS RESERVED.

PART NUMBER	REV	FIRST USED
567239-1	M	122500-1
567239-2	M	565435-5
567239-3	M	354500-1
7-567239-7	J	-



TERMINAL NAME: M.T.E. MODU CONTACT

+103997		CRIMPING DATA	
104505		CRIMP HEIGHT	
1717024-1		WIRE SIZE	
PAD LTR	A	.036 ±.002 [0.91 ±0.03mm]	22
	B	.032 ±.002 [0.81 ±0.03mm]	24
	C	.030 ±.002 [0.76 ±0.03mm]	26
	D	NOT	USED
CRIMP	SIZE	TYPE	RANGE
WIRE	.042 [1.07mm]	F	26-22
INSUL	.055 [1.4mm]	0	Φ.054 MAX
WIRE STRIP LENGTH	TERM APPL SPEC	FEED	APPL INSTRUCTION
.125-.156	114-25038	.200	408-8040
			SET UP GAGE LAYOUT
			458637-1 627

QTY REQD PER ASSY	PART NO	DESCRIPTION	ITEM NO			
-	2	2	2	6-354779-2	PIN, WIRE DISC (.3300)C	128
-	2	2	2	5-354779-8	PIN, WIRE DISC (.3280)B	127
-	2	2	2	5-354779-0	PIN, WIRE DISC (.3240)A	126
-	1	1	1	986950-1	WASHER, FLAT PRECISION	125
-	REF	REF	REF	21045-3	RING,RET "C"(Φ.187)FD FING PIN	124
-	REF	REF	REF	-	-	123
-	REF	REF	REF	5-21028-1	PIN,SLT SPR(Φ.125x.50)ADJ ROD	122
1	1	1	1	4-21028-0	PIN,SLT SPR(Φ.093x.75)ST GDE PL	121
-	REF	REF	REF	1-21030-1	PIN,DOWEL(Φ.187x.50)LEVER	120
-	REF	REF	REF	1-21030-6	PIN,DOWEL(Φ.187x1.25)HOUSING	119
-	-	-	-	-	-	118
-	1	2	1	21024-5	WASHER, LOCK(#10)ADJ BLOCK	117
-	REF	REF	REF	21024-5	WASHER,LOCK(#10)ADJ PLATE	116
-	REF	REF	REF	21024-5	WASHER,LOCK(#10)FEED GDE ROD	115
-	2	2	2	21024-2	WASHER,LOCK(#4)FRONT STP GUIDE	114
-	-	-	-	-	-	113
-	6	6	6	21024-4	WASHER,LOCK(#8)STRIPPER	111
-	REF	REF	REF	21899-4	WASHER,FLAT(Φ5/16)SCREW ADJ	110
-	-	-	-	21899-2	WASHER,FLAT(NO.10)LUB ASSY	109
-	-	-	-	-	-	108
-	REF	REF	REF	21018-5	NUT,HEX(6-32)FEED ADJ	107
-	-	-	-	-	-	106
-	-	-	-	-	-	105
-	-	-	-	-	-	104
-	1	1	1	21009-2	SCR,SKT SET(1/4-20x.25 LW)RAM	103
-	2	2	2	21017-2	SCR,DRIVE(#2x.19)ID PLATE	102
-	REF	REF	REF	6-23715-5	SCR,PAN HD(6-32x1.50)FEED ADJ	101
-	1	1	1	461264-1	PLATE, IDENTIFICATION	100
-	2	2	2	5-21006-6	SCR,SET(10-32x.75)DRAG	99
-	1	1	1	22733-8	SCR,BHC(8-32x.38 LW)ANVIL	98
-	REF	REF	REF	2-21002-9	SCR,BHC(10-32x.75)CAP	97
-	REF	REF	REF	2-22733-8	SCR,BHC(1/4-20x.62)HOUSING	96
-	REF	REF	REF	2-21002-7	SCR,BHC(10-32x.50)SG ADJ BLOCK	95
-	6	6	6	2-21002-2	SCR,BHC(8-32x.50)TERM H DWN	94
-	-	-	-	-	-	93
-	-	-	-	-	-	92
-	1	1	1	1-21002-7	SCR,BHC(6-32x.38)CAM	91
-	-	-	-	-	-	90
-	-	-	-	-	-	89
-	-	-	-	-	-	88
-	2	2	2	2-21000-7	SCR,SHC(8-32x.50)DEP-HOLD	87
-	1	1	1	2-22603-0	SCR,HEX HD(8-32x.31)FEED FINGER	86
-	2	2	2	1-21000-3	SCR,SHC(4-40x.25)F ST GUIDE	85
-	1	1	1	2-21000-7	SCR,SHC(8-32x.50)STRIPPER	84
-	REF	REF	REF	3-21000-7	SCR,SHC(10-32x.75)FEED ROD GD	83
-	REF	REF	REF	3-21000-6	SCR,SHC(10-32x.62)FD ADJ BLK	82
-	1	2	1	3-21000-4	SCR,SHC(10-32x.38)SG ADJ BL	81
-	REF	REF	REF	3-21000-4	SCR,SHC(10-32x.38)PIVOT BLK	80
-	-	REF	-	455749-1	GUARD, WINDOW	79
-	REF	-	-	679532-1	INSERT, GUARD	78
-	-	1	-	1-465184-0	LUBRICATOR ASSY	77
-	-	-	-	-	-	76
-	-	-	-	-	-	75
-	1	1	1	690603-1	SPRING, ASSIST	74
-	1	1	1	23030-1	SCR,SHC(6-32x.25 SL)INS DISC	73
-	REF	REF	REF	458109-1	WASHER, SPECIAL	72
-	REF	REF	REF	690517-1	SPACER	71
-	-	-	-	-	-	70

- RECOMMENDED SPARE PARTS.
- GREASE LIGHTLY.
- GUARD MUST BE IN PLACE WHEN OPERATING APPLICATOR IN A BENCH MACHINE.
- LUBRICATE DAILY USING NO. 20 MACHINE OIL.
- ITEMS WITH QTY OF REF SPECIFIED (EXCEPT ITEMS 78 AND 79) ARE USED ON ITEM 46.

LOC	DIST	REVISIONS			
F	LTR	DESCRIPTION	DATE	BY	APVO
A	66	M1	5-2009	MY	TE

-1	LEADMAKER	MECH POST FEED	-77	SPARE TOOLING KIT
-2	BENCH MODEL K	MECH PRE FEED		
-3	BENCH MODEL G	MECH PRE FEED		

QTY REQD PER ASSY	PART NO	DESCRIPTION	ITEM NO			
-	22594-8	NUT,HEX(1/2-20)	70			
-	240628-1	PLATE, ADJUSTMENT	69			
-	240626-1	SHAFT, PIVOT	68			
-	240633-1	BUSHING	67			
-	455680-1	LEVER, INTERMEDIATE	66			
-	240629-1	BLOCK, PIVOT	65			
-	240632-2	SCREW, ADJ FEED ROD	64			
-	240659-3	PIN, CAM ROLLER	63			
-	240658-1	ROLLER, CAM	62			
-	454398-2	ROD, FEED	61			
-	454178-1	GUIDE, FEED ROD	60			
-	454220-1	CAP, RAM	59			
-	454485-1	HOUSING	58			
-	-	-	57			
-	1	1	1	458537-2	PAWL, FEED	56
-	REF	REF	REF	240624-1	PIN, FEED FINGER	55
-	REF	REF	REF	691499-1	SPRING, FEED FINGER	54
-	REF	REF	REF	690541-1	HOLDER, FEED FINGER	53
-	REF	REF	REF	455679-1	LEVER, TERMINAL FEED ARM	52
-	-	-	-	-	-	51
-	-	-	-	-	-	50
-	1	-	-	690602-6	CAM, PRE-FEED 1 5/8 ST	49
-	-	1	-	690602-5	CAM, PRE-FEED 1 1/8 ST	48
-	-	-	1	690501-4	CAM, POST-FEED 1 5/8 ST	47
-	1	1	1	459456-1	APPLICATOR, BASIC (SUBASSY)	46
-	1	1	1	690191-1	PLUG, NYLON	45
-	1	1	1	455673-1	RAM	44
-	1	1	1	690125-1	WASHER, LAMINATED	43
-	1	1	1	690124-1	WASHER, RAM	42
-	1	1	1	7-21002-9	BOLT, CRIMPER(5/16x1.00)	41
-	1	1	1	23241-6	BALL, STEEL	40
-	1	1	1	690170-1	SPRING, COMPRESSION	39
-	1	1	1	690142-4	DISC, INSULATION	38
-	1	1	1	354777-1	WIRE DISC, PLASTIC	37
-	1	1	1	22480-5	WASHER, SPRING	36
-	1	1	1	690212-1	POST, RAM	35
-	1	1	1	690786-6	SUPPORT, TERMINAL	34
-	REF	REF	REF	455675-1	PLATE, BASE	33
-	1	1	1	690432-3	SCREW, ADJUSTMENT	32
-	-	-	-	-	-	31
-	REF	REF	REF	455689-1	BLOCK, STRIP GUIDE ADJ	30
-	1	1	1	455671-1	PLATE, STRIP GUIDE	29
-	1	1	1	1-455888-0	SPACER, FRONT SHEAR DEP	28
-	2	2	2	1-22284-0	SPRING, DRAG	27
-	1	1	1	690546-1	LEVER, DRAG RELEASE	26
-	1	1	1	240792-1	DRAG, TERMINAL	25
-	1	1	1	8-690504-3	GUIDE, STRIP (REAR)	24
-	1	1	1	690438-1	GUIDE, STRIP (FRONT)	23
-	-	-	1	690472-2	STRIPPER	22
-	REF	REF	REF	4-22284-9	SPRING, FEED RETURN	21
-	-	-	-	-	-	20
-	1	1	-	691353-1	STRIPPER	19
-	1	1	1	1-690518-1	HOLDER, TERMINAL	18
-	-	-	-	-	-	17
-	1	1	1	691667-1	GUARD, CHIP (FRONT)	16
-	-	-	-	-	-	15
-	-	-	-	-	-	14
-	-	-	-	-	-	13
-	1	1	1	3-22280-3	SPRING, SHEAR	12
-	1	1	1	690461-1	STOP, SHEAR	11
-	1	1	1	690459-1	HOLDER, SHEAR (FRONT)	10
-	1	1	1	462006-1	SHEAR, FLOAT (FRONT)	9
1	1	1	1	4-690512-9	ANVIL	8
-	1	1	1	1-240641-8	SPACER, DEPRESSOR (REAR)	7
-	-	-	-	-	-	6
-	1	1	1	2-455889-9	DEPRESSOR, SHEAR (FRONT)	5
-	1	1	1	1-238011-7	SPACER, BLOCK CRIMPER	4
1	1	1	1	2-683454-4	CRIMPER, INSULATION	3
-	-	-	-	-	-	2
1	1	1	1	456401-3	CRIMPER, WIRE	1

THIS DRAWING IS A CONTROLLED DOCUMENT.

APPROVED: **S. FERRANTI** 6-8-95

NAME: **SIDE FEED HDM APPLICATOR**

DATE: 6/5/95

BY: **C. FERISMAN** 6-8-95

DESIGNED: **P. MATHIAS**

DATE: 6-8-95

APP'D: **Tyco Electronics**

TYCO ELECTRONICS CORPORATION
HARRISBURG, PA 17105-3608

SIZE: A1

CAGE CODE: 00779

DRAWING NO: 567239

RESTRICTED TO: -

CUSTOMER DRAWING

SCALE: -

SHEET: 1 of 1

REV: M1