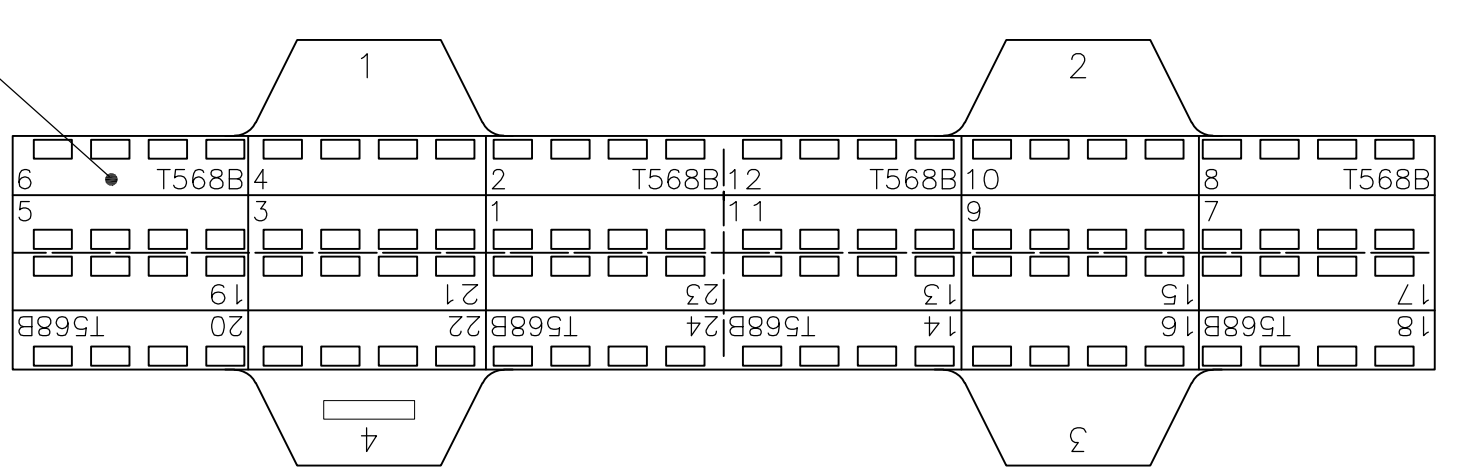
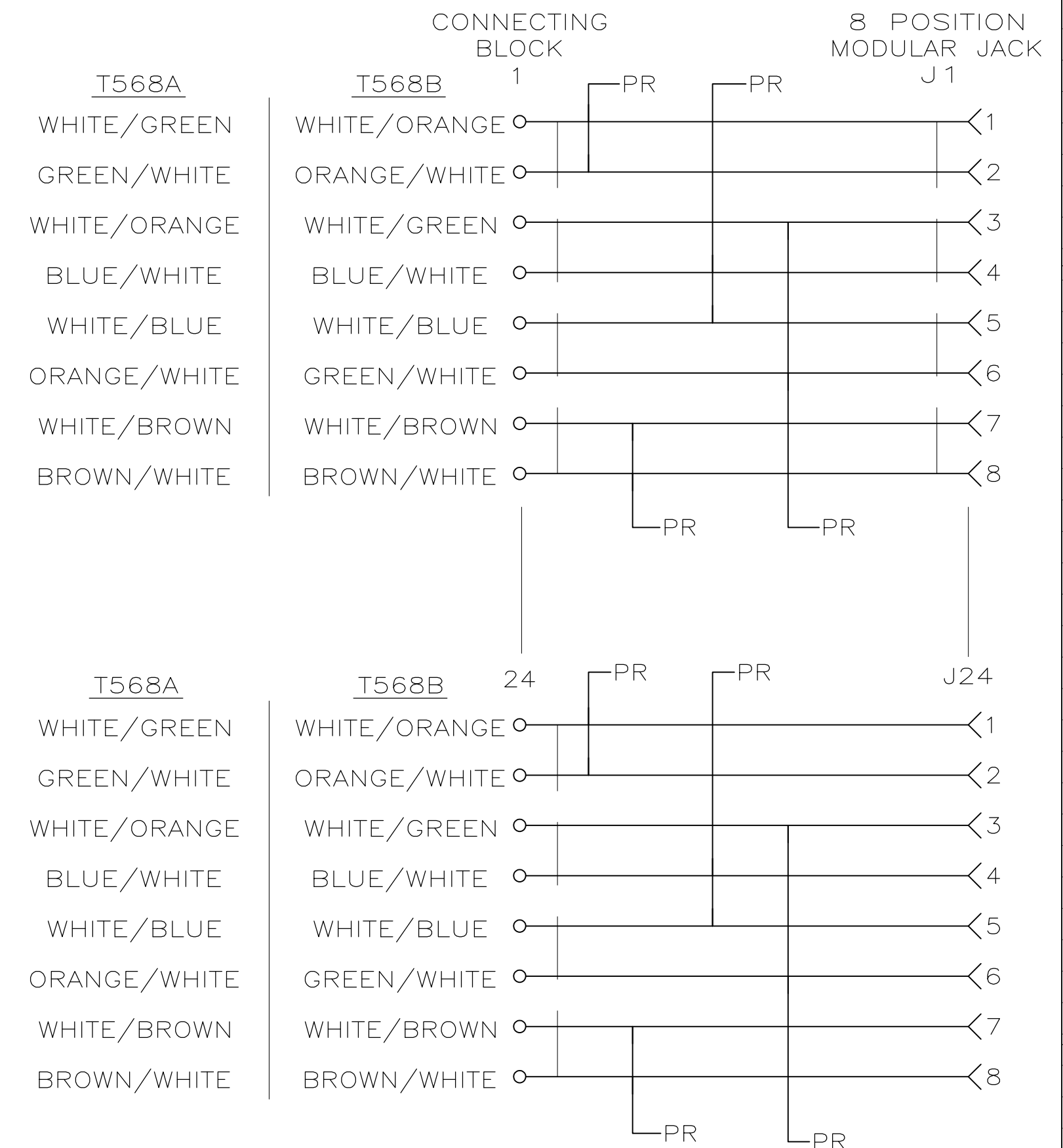
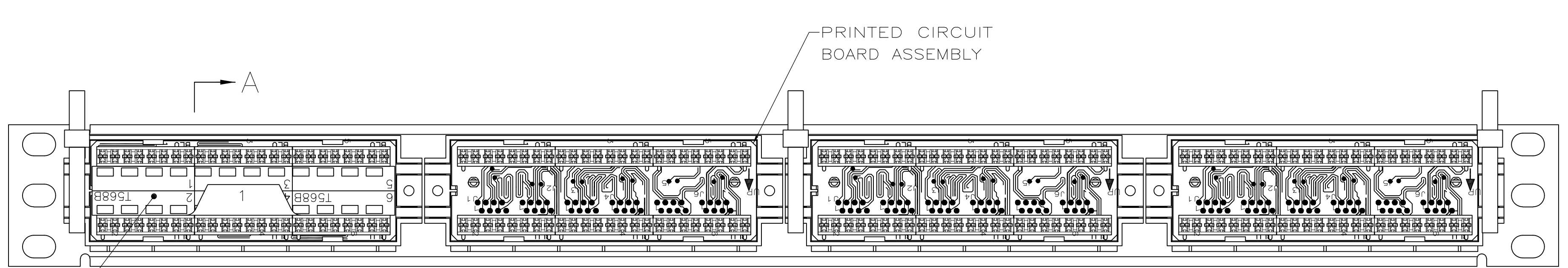
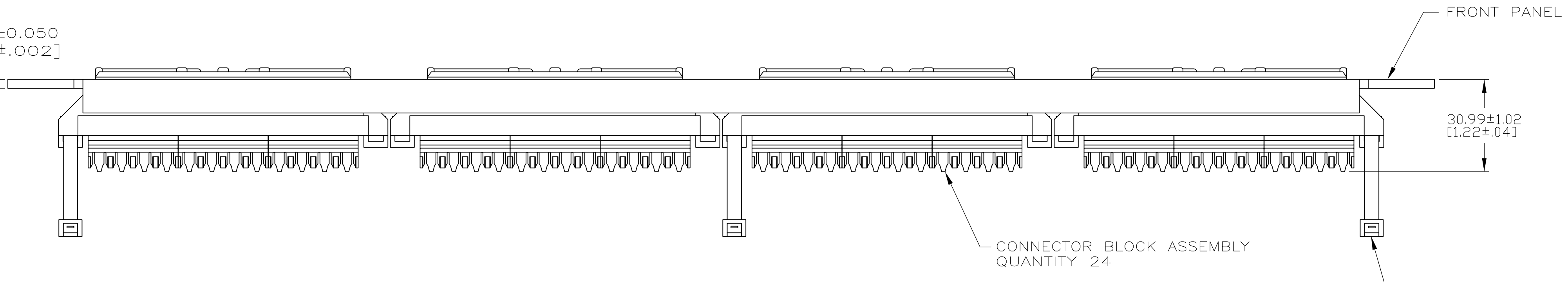
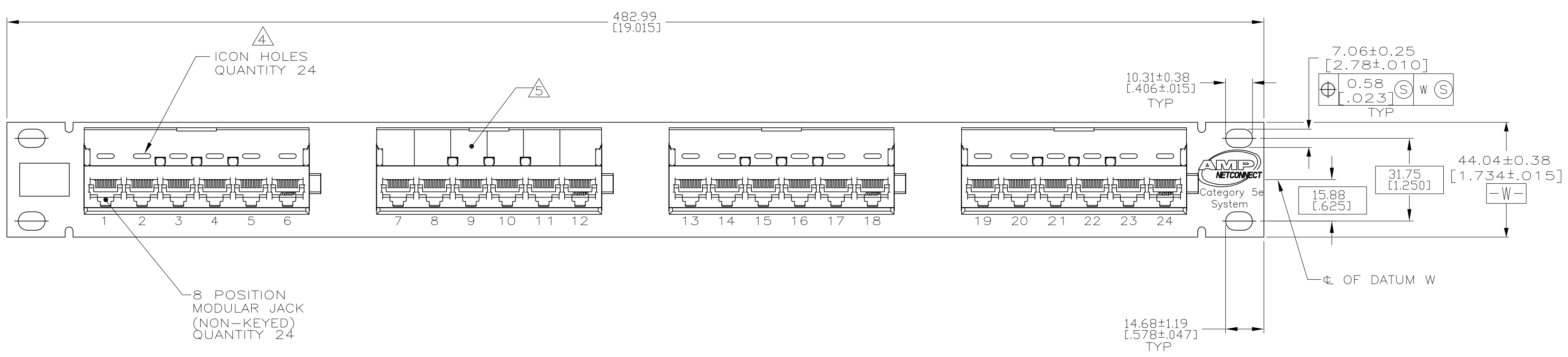
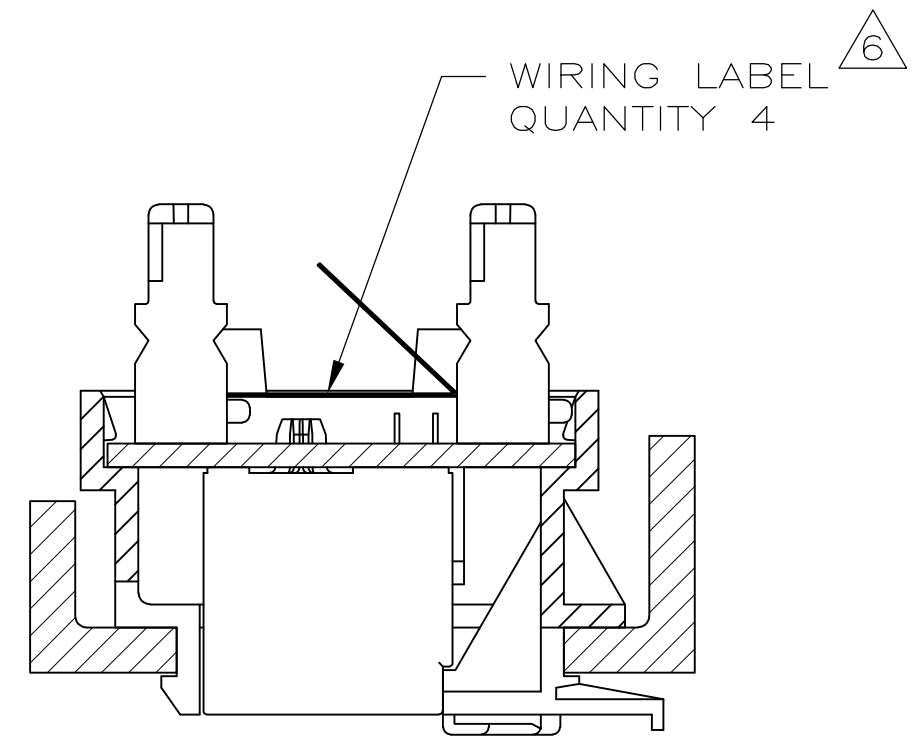


LOC		DIST		REVISIONS			
HM	00	IF	LTR	DESCRIPTION	DATE	DN	APVD
		E		REDWN & REV; EC 0B40-0178-00	14AUG00	LH	SH
		E		REV EC0-08-012437	30MAY08	LDS	SH

- 1 MATERIAL: PANEL - BLACK POWDER COAT STEEL WITH WHITE MARKINGS.  
PRINTED CIRCUIT BOARD - LAMINATED PLASTIC SUBSTRATE, 1.57[.062] THICK.
- 2 MOUNTING HARDWARE INCLUDED EACH ASSEMBLY:  
FOUR, 10-32X50 TRILOBULAR SCREWS W/CAPTIVE STARWASHER.  
FOUR, 12-24X50 TRILOBULAR SCREWS W/CAPTIVE STARWASHER.
- 3 THREE RELEASEABLE CABLE TIES, SHOWN ASSEMBLED, USED FOR CABLE ORGANIZATION/ROUTING ARE SHIPPED LOOSE.
- 4 ICONS MAY BE PURCHASED SEPARATELY.
- 5 ONE SHEET OF BEZEL LABELS AND ONE SHEET OF CLEAR LABEL COVERS ARE SHIPPED LOOSE. ONE LABEL SHOWN INSTALLED AT LOCATION INDICATED.
- 6 ONE SHEET OF FOUR 110 CONNECTOR UNIVERSAL WIRING LABELS ARE SHIPPED LOOSE. ONE SIDE IS FOR T568A WIRING AND THE OPPOSITE SIDE FOR T568B WIRING. ONE LABEL SHOWN INSTALLED AT LOCATION INDICATED.



T568B SIDE  
110 CONNECTOR UNIVERSAL  
WIRING LABELS



SECTION A-A  
ROTATED 90° CCW  
SCALE 2:1

406330-1  
PART NUMBER

THIS DRAWING IS A CONTROLLED DOCUMENT.		DWN L HALL 14AUG00	Tyco Electronics Corporation Harrisburg, PA 17105-3608
DIMENSIONS: mm [INCHES]		CHK S HERNDON 14AUG00	
TOLERANCES UNLESS OTHERWISE SPECIFIED:		APVD S HERNDON 14AUG00	NAME SHERNDON
0 PLC ±		PRODUCT SPEC	
1 PLC ±		APPLICATION SPEC	SIZE CAGE CODE DRAWING NO RESTRICTED TO
2 PLC ±		WEIGHT	A1 00779 ©=406330
3 PLC ±		CUSTOMER DRAWING	SCALE 1:1 SHEET 1 OF 1 REV E
4 PLC ±			
ANGLES			
FINISH			