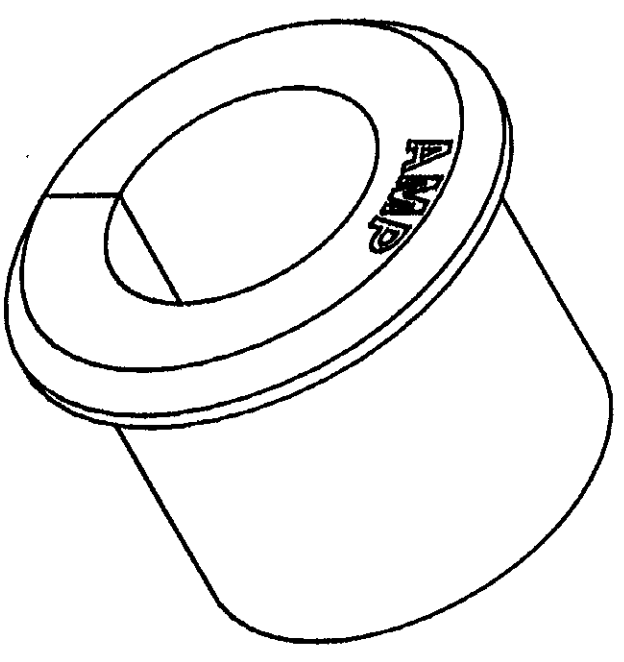
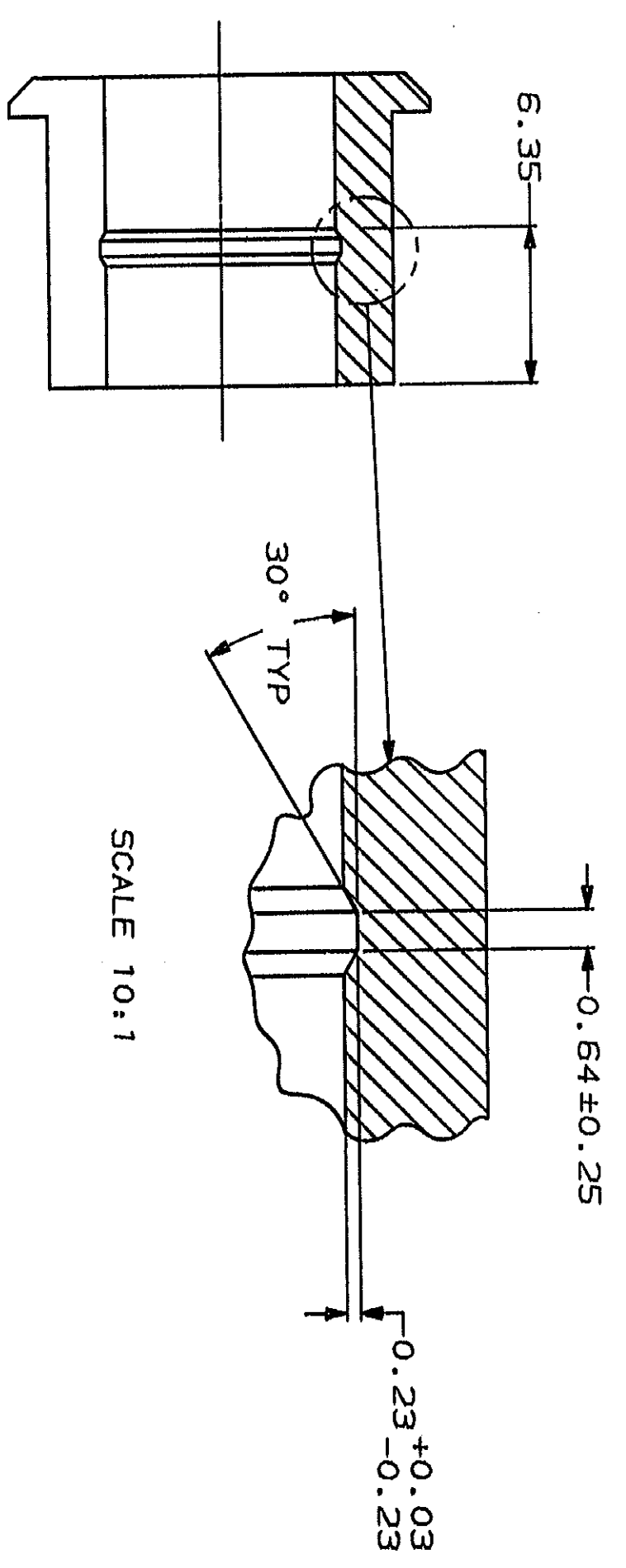
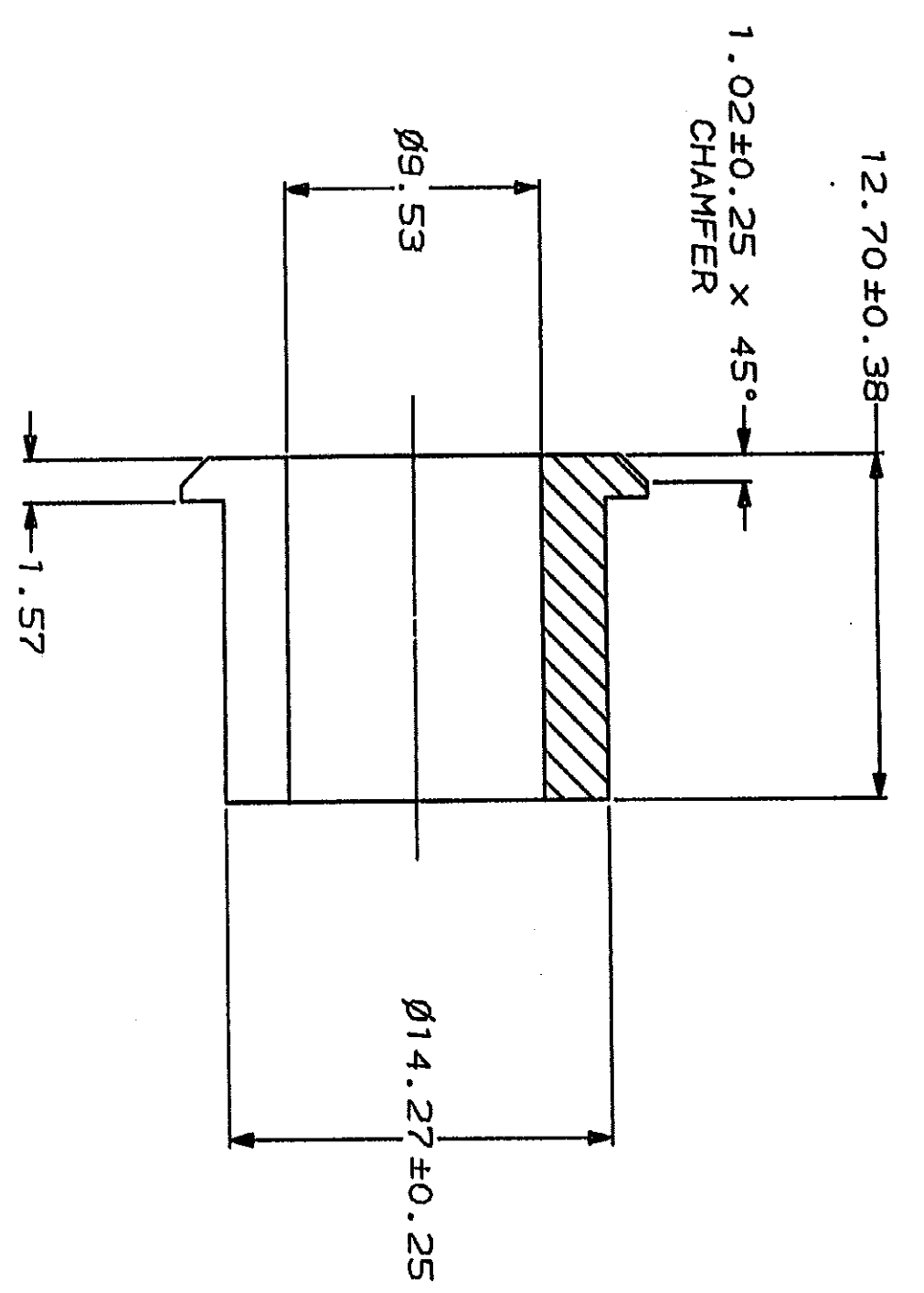
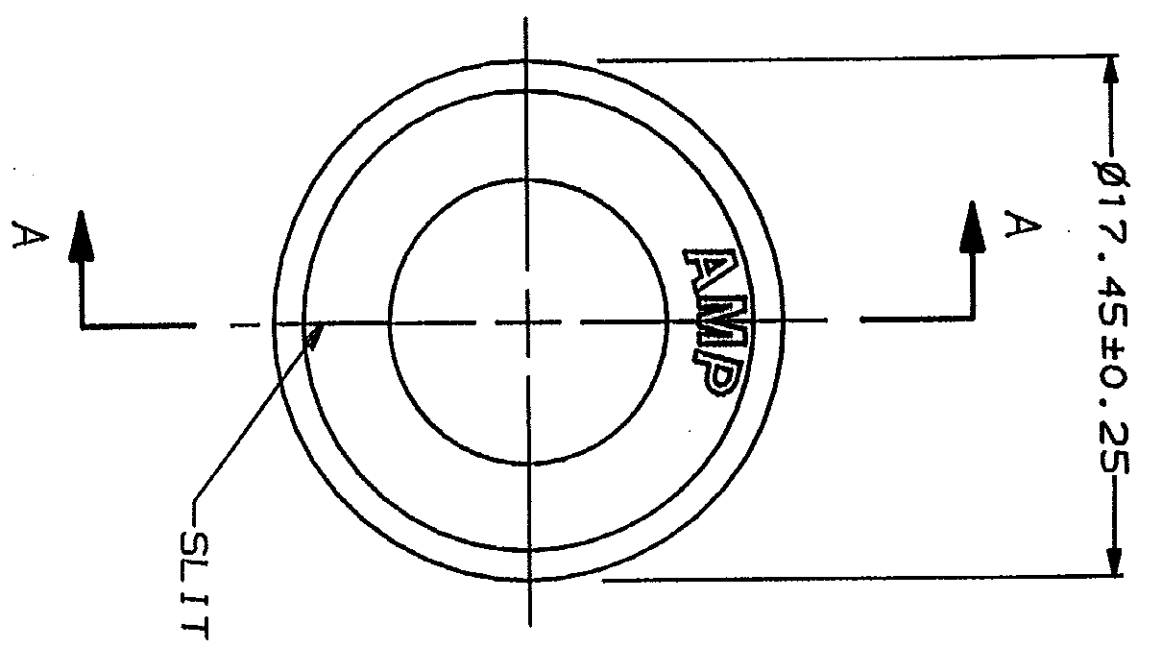


REV	DATE	APPD	DESCRIPTION
CM 53	12-5-89	KU	REVISIONS
E			REDWN AND REV PER ECN CM-2599

1. USE WITH STRAIN RELIEF 480594.  
 ▲ MOLDING COMPOUND PVC, FLEXIBLE, 55/75 DUREMETER (B SCALED), BLACK.



3-DIMENSIONAL MODEL  
NTS

MM	IN	MM	IN	MM	IN
0.38	.015	9.53	.375	-	-
0.25	.010	6.35	.250	-	-
0.23	.009	1.57	.062	17.45	.687
0.13	.005	1.02	.040	14.27	.562
0.03	.001	0.64	.025	12.70	.500

CONVERSION TABLE

**METRIC**

DO NOT SCALE PRINT. UNLESS SPECIFIED DIMENSIONS IN mm (INCHES) TOLERANCES IN mm (INCHES) 2 PLC DEC ± 0.13 3 PLC DEC ± 1.0° MATERIAL	DR: <i>[Signature]</i> 12-1-89 CHK: <i>[Signature]</i> 12-5-89 APPD: <i>[Signature]</i> 12-11-89	NAME: GROMMET, SPLIT, M.R.
FINISH: -	PRODUCT SPEC: -	AMP INCORPORATED Harrisburg, Pa. 17105
APPLICATION SPEC: -	SCALE: 4:1	380936
WEIGHT: -	SIZE: C	00779
	DRAWING NO: 380936	SHEET: 1 OF 1

CUSTOMER DRAWING

3D

380936