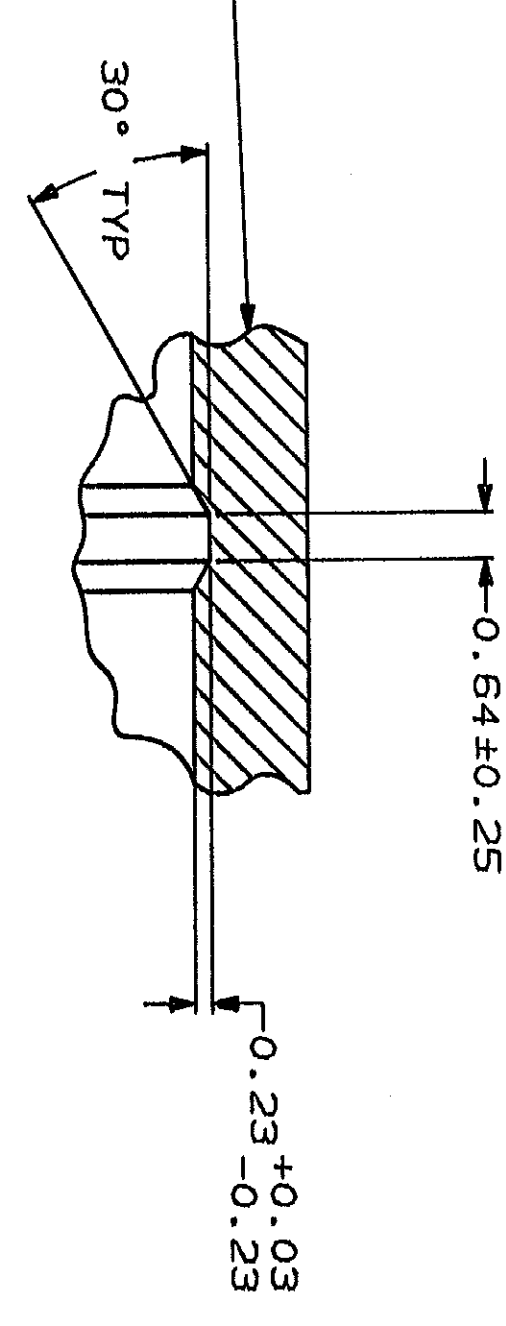
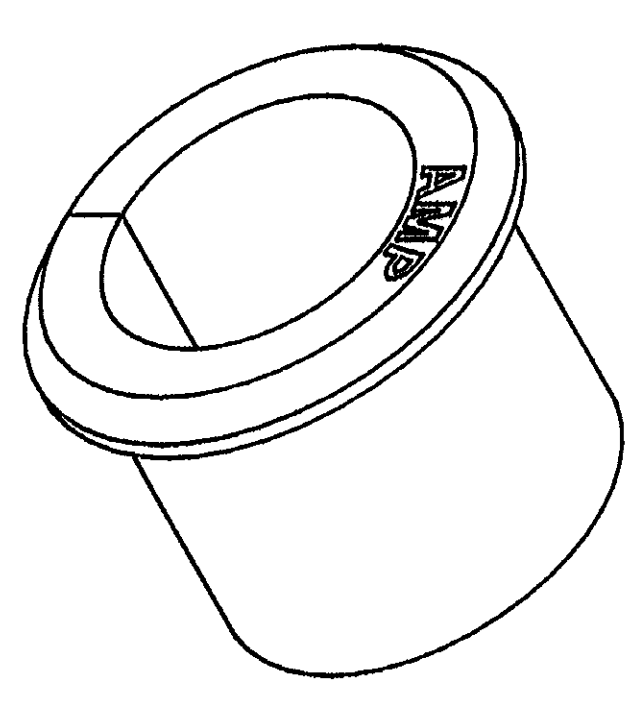


SECTION A-A
 OPTIONAL CONSTRUCTION



SCALE 10:1



3-DIMENSIONAL MODEL
 NTS

CONVERSION TABLE					
0.38	.015	11.10	.437	-	-
0.25	.010	6.35	.250	-	-
0.23	.009	1.57	.062	17.45	.687
0.13	.005	1.02	.040	14.27	.562
0.03	.001	0.64	.025	12.70	.500
MM	IN	MM	IN	MM	IN



DO NOT SCALE PRINT.
 UNLESS SPECIFIED DIMENSIONS IN MM (INCHES) TOLERANCES ON:
 1. ALL DIMENSIONS ± 0.13
 2. HOLE DIMS ± 0.13
 3. HOLE DIA ± 0.13
 ANGLES $\pm 1^\circ$
 MATERIAL

DR. *[Signature]* 12-7-89
 CHK. *[Signature]* 12-8-89
 APPD. *[Signature]* 12-11-89

PRODUCT SPEC
 APPLICATION SPEC
 FINISH

SCALE 4:1

NAME
GROMMET, SPLIT, M.R.

AMP INCORPORATED
 Harrisburg, Pa. 17105

380935-0
 PART NO

380935
 DRAWING NO

380935
 CAGE CODE

4:1
 SCALE

380935
 SHEET

1 OF 1

CUSTOMER DRAWING