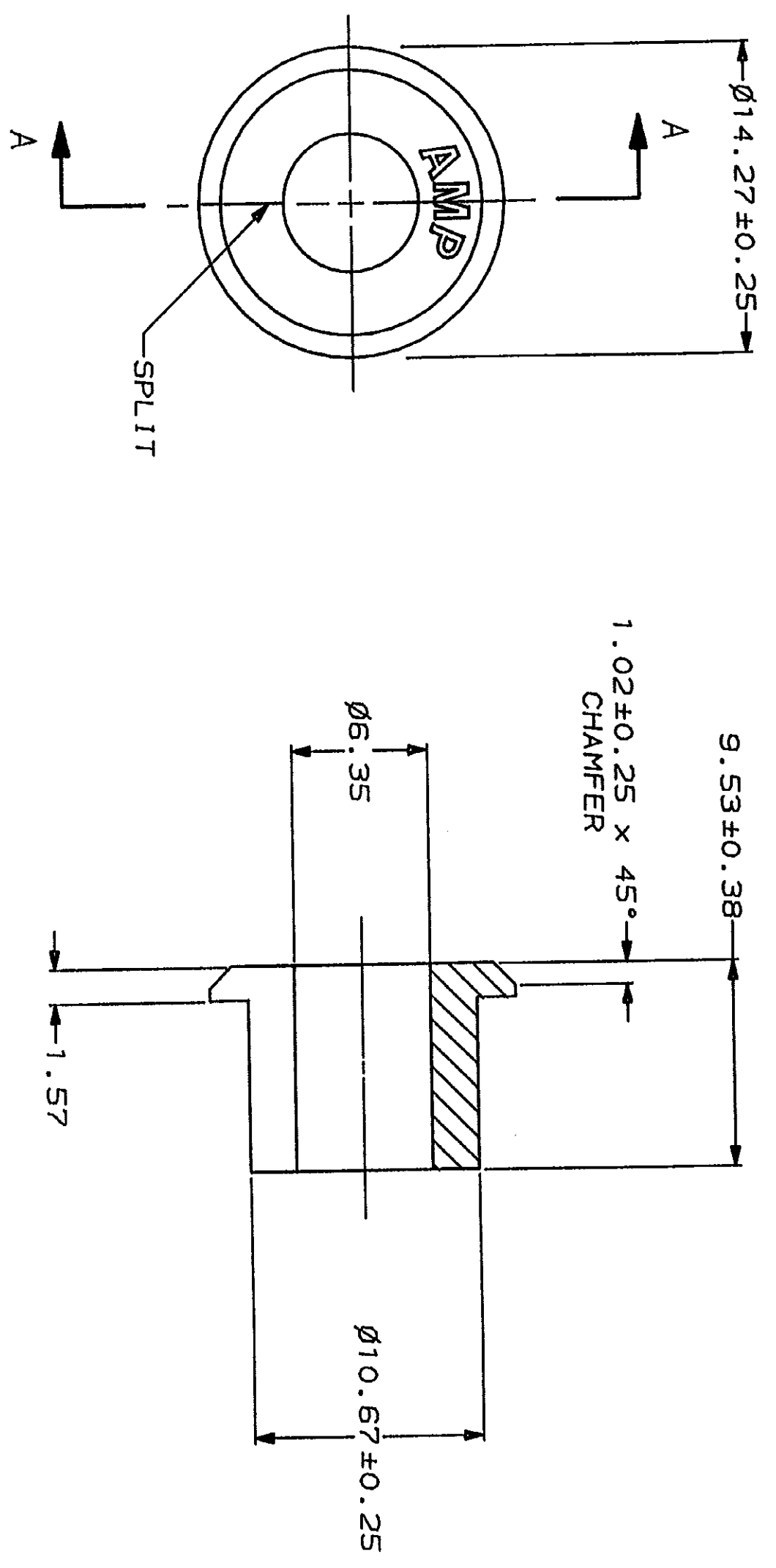
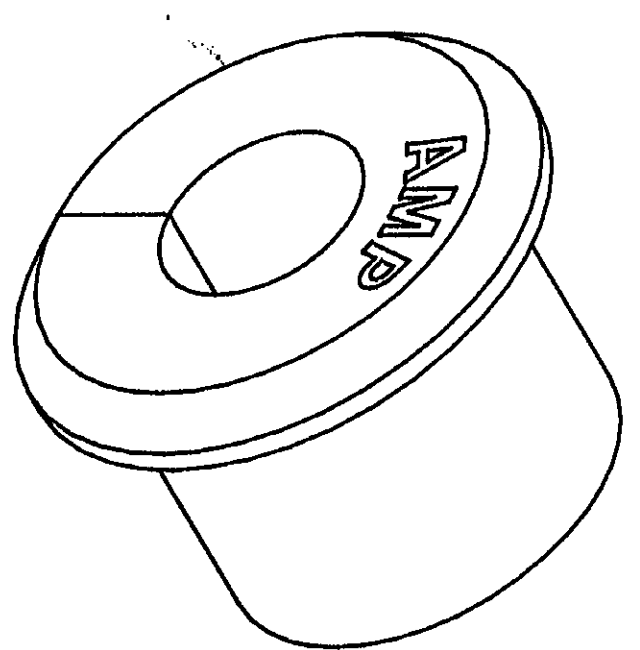
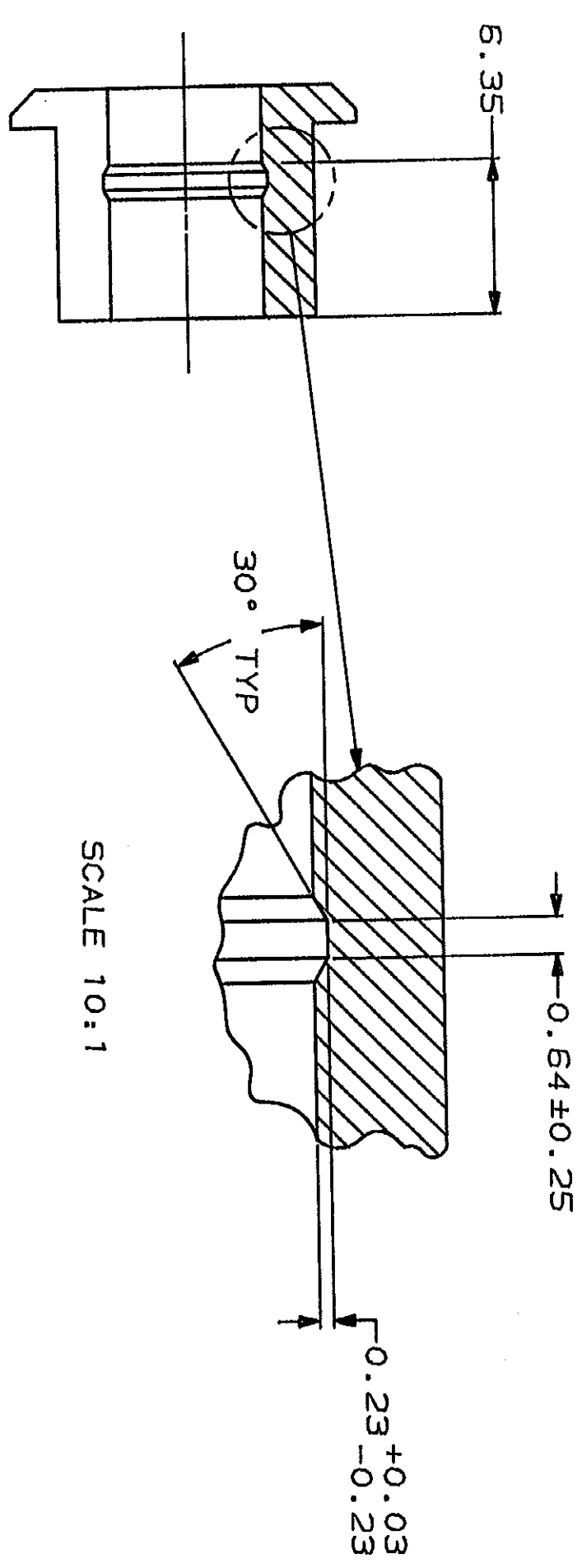


1. USE WITH STRAIN RELIEF 350374. MOLDING COMPOUND PVC, FLEXIBLE, 55/75 DUREMETER (B SCALED), BLACK.



SECTION A-A



3-DIMENSIONAL MODEL NTS

MM	IN	MM	IN	MM	IN
0.25	.010	1.57	.062	14.27	.562
0.23	.009	1.02	.040	10.67	.420
0.13	.005	0.64	.025	9.53	.375
0.03	.001	0.38	.015	6.35	.250

CONVERSION TABLE

METRIC

DO NOT SCALE PRINT. UNLESS SPECIFIED DIMENSIONS IN MM [INCHES]	DR <i>K. Whitaker</i> 12-7-89	NAME	AMP AMP INCORPORATED Harrisburg, Pa. 17105	
TOLERANCES ON:	CHK <i>K. Whitaker</i> 12-8-89	GROMMET, SPLIT, M.R.	SIZE	CAGE CODE
1 PLC DEC ± 0.13	APPD <i>K. Whitaker</i> 12-8-89		C	00779
2 PLC DEC ± 0.13	APPD <i>K. Whitaker</i> 12-11-89		DRAWING NO	350379
3 PLC DEC ± 1*0°	APPD <i>K. Whitaker</i> 12-11-89	SCALE	4:1	SHEET
ANGLES ± 1*0°	PRODUCT SPEC	WEIGHT		1 OF 1
MATERIAL	FINISH	CUSTOMER DRAWING		

PART NO 1-350379-1

350379