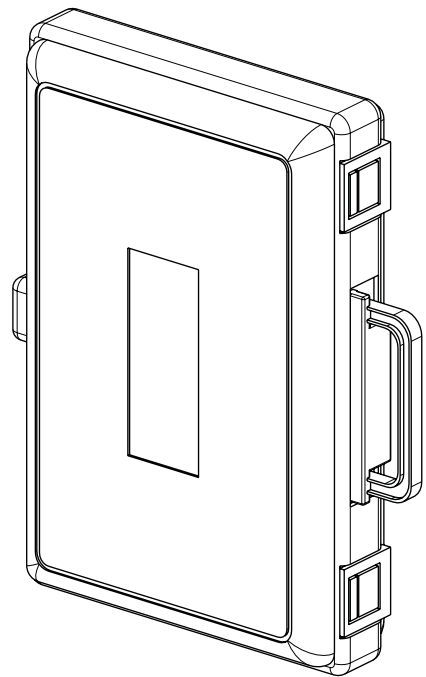
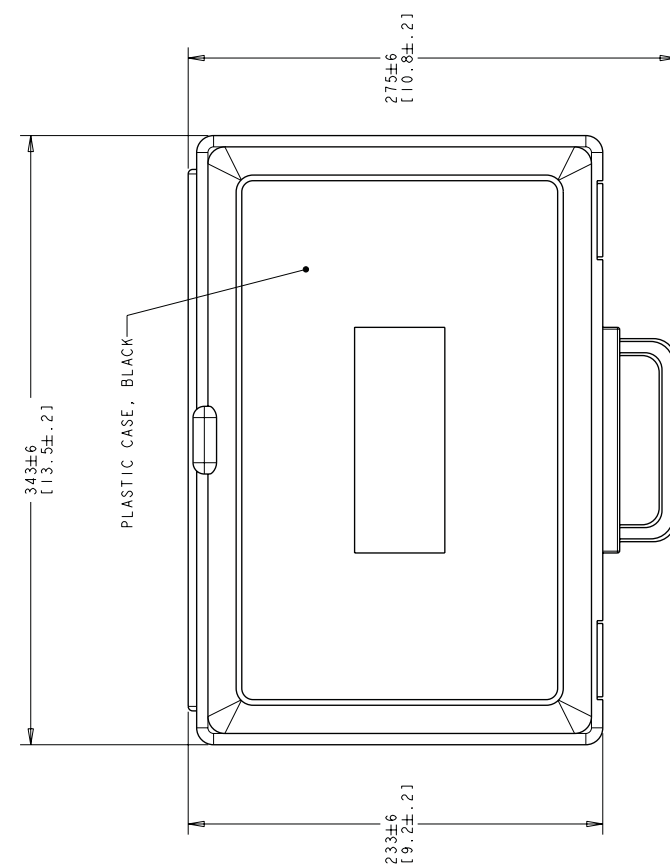
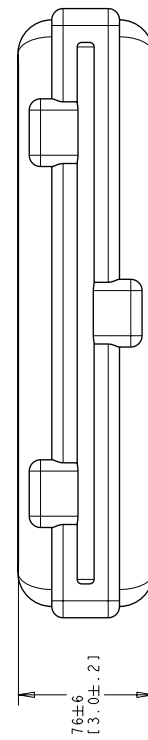


REV. NO.	DATE	BY	APP'D
1	15NOV2005	BB	DK
A	07MAY2006	BB	DK
B	19FEB2007	BB	DK

REV. NO.	DATE	BY	APP'D
1	15NOV2005	BB	DK
A	07MAY2006	BB	DK
B	19FEB2007	BB	DK



1. 1828867-1 INCLUDES LC TO LC SIMPLEX CABLE ASSEMBLY (2), LC TO SC SIMPLEX CABLE ASSEMBLY (2), 50/125 MANDREL (2) AND DUPLEX CLIPS (6)
2. 1828867-2 INCLUDES LC TO LC SIMPLEX CABLE ASSEMBLY (2), LC TO ST SIMPLEX CABLE ASSEMBLY (2), 50/125 MANDREL (2) AND DUPLEX CLIPS (6)
3. 1828867-3 INCLUDES LC TO LC CABLE ASSEMBLY (4), 50/125 MANDREL (2) AND DUPLEX CLIPS (6)

OB	LC SIMPLEX	1828867-6
OB	ST SIMPLEX	1828867-5
OB	SC SIMPLEX	1828867-4
	LC	1828867-3
	ST SIMPLEX	1828867-2
	SC SIMPLEX	1828867-1
TEST EQUIPMENT CONNECTION		PART NUMBER

THIS DRAWING IS UNPUBLISHED. ALL RIGHTS RESERVED. BY AMP INCORPORATED. ALL RIGHTS RESERVED.	
CH. B. BRIGGS 15NOV2005 AMP INCORPORATED HARRISBURG, PA 17105-3608	CH. B. BRIGGS 15NOV2005 AMP INCORPORATED HARRISBURG, PA 17105-3608
DR. X. KIRSCH 15NOV2005 S. BAUCHER 15NOV2005 PRODUCT SPEC	DR. X. KIRSCH 15NOV2005 S. BAUCHER 15NOV2005 LC TEST CABLE KIT, 50/125um
DIMENSIONS: 0 PL ± 1 PL ± 2 PL ± 3 PL ± 4 PL ± 5 PL ± 6 PL ± 7 PL ± 8 PL ± 9 PL ± 10 PL ±	DIMENSIONS: 0 PL ± 1 PL ± 2 PL ± 3 PL ± 4 PL ± 5 PL ± 6 PL ± 7 PL ± 8 PL ± 9 PL ± 10 PL ±
TOLERANCES UNLESS OTHERWISE SPECIFIED:	TOLERANCES UNLESS OTHERWISE SPECIFIED:
DIMENSIONS: 0 PL ± 1 PL ± 2 PL ± 3 PL ± 4 PL ± 5 PL ± 6 PL ± 7 PL ± 8 PL ± 9 PL ± 10 PL ±	DIMENSIONS: 0 PL ± 1 PL ± 2 PL ± 3 PL ± 4 PL ± 5 PL ± 6 PL ± 7 PL ± 8 PL ± 9 PL ± 10 PL ±
MATERIAL:	MATERIAL:
WEIGHT:	WEIGHT:
FINISH:	FINISH:
APPLICATION SPEC:	APPLICATION SPEC:
CASE CODE:	CASE CODE:
DRAWING NO:	DRAWING NO:
SIZE:	SIZE:
A2 00779	A2 00779
AMP INCORPORATED HARRISBURG, PA 17105-3608	AMP INCORPORATED HARRISBURG, PA 17105-3608
LC TEST CABLE KIT, 50/125um	LC TEST CABLE KIT, 50/125um
CUSTOMER DRAWING	CUSTOMER DRAWING
SHEET	SHEET
OF	OF
1	1
REF. R	REF. R