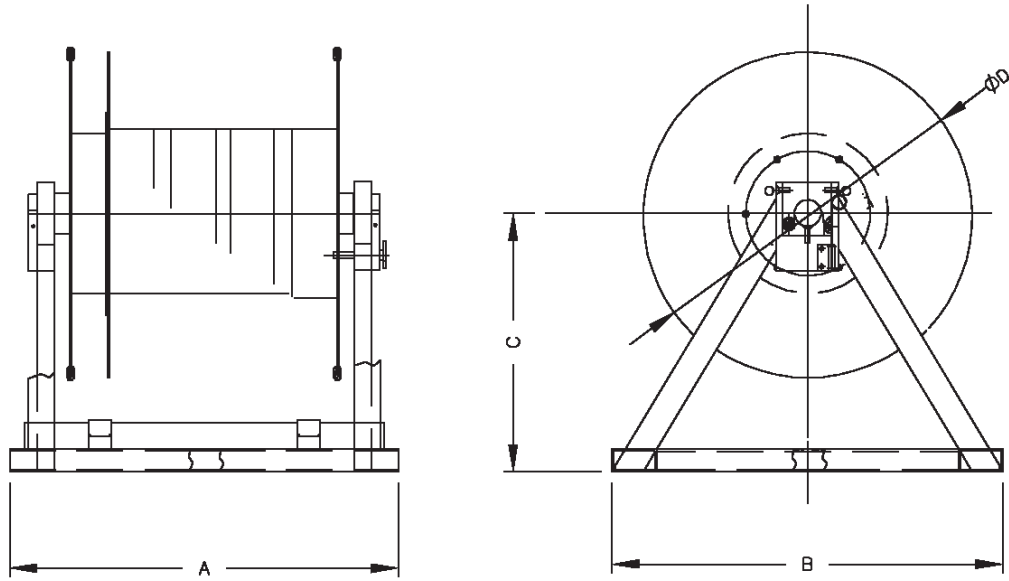


LOC	DIST	REVISIONS					
CE	16	P	LTR	DESCRIPTION	DATE	DWN	APVD
		A		RELEASED	10MAY05	KG	JS



TYCO P/N	A	B	C	MAX REEL DIA D
1754517-1	437.0	440.0	290.0	500.0
1754517-2	600.0	600.0	406.5	700.0

1. DIMENSIONS ARE FOR REFERENCE ONLY.
- 2 MATERIAL: ALUMINUM 6061-76.
- 3 FINISH: POLYESTER EPOXY, COLOR RAL 6006.
4. REEL NOT INCLUDED WITH FRAME.

RELEASED FOR PUBLICATION

ALL RIGHTS RESERVED.

COPYRIGHT BY TYCO ELECTRONICS CORPORATION.

THIS DRAWING IS UNPUBLISHED.

DIMENSIONS: mm	DWN K. GLATFELTER 23MAR2005	MATERIAL	2 -	FINISH	3 -
	CHK J. SHIPE 10MAY2005	Tyco Electronics Corporation Harrisburg, Pa 17105-3608			
TOLERANCES UNLESS OTHERWISE SPECIFIED:	APVD D. BAECHTLE 10MAY2005				
0 PLC ± -	PRODUCT SPEC	SIZE	CAGE CODE	DRAWING NO	RESTRICTED TO
1 PLC ± -	APPLICATION SPEC	A4	00779	C=1754517	-
2 PLC ± -	WEIGHT	CUSTOMER DRAWING			SCALE
3 PLC ± -					NTS
4 PLC ± -					SHEET
ANGLES ± -					1 OF 1
					REV
					A