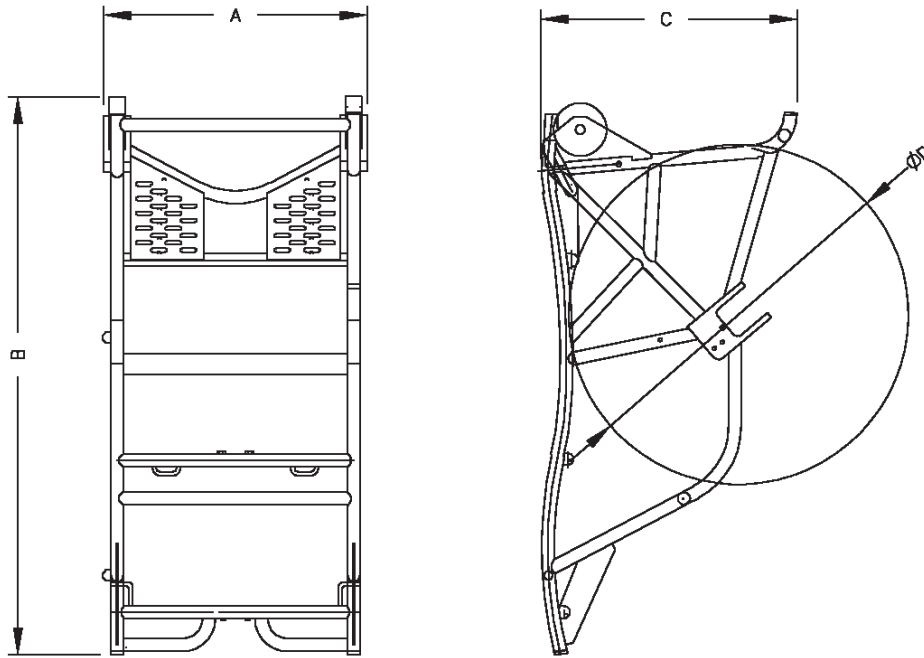


LOC	DIST	REVISIONS					
CE	16	P	LTR	DESCRIPTION	DATE	DWN	APVD
			A	RELEASED	08MAY05	KG	JS



TYCO P/N	A	B	C	MAX REEL DIA D
1754516-1	395.0	836.9	310.5	370.0
1754516-2	395.0	836.9	363.3	470.0
1754516-3	395.0	836.9	384.1	510.0

1. DIMENSIONS ARE FOR REFERENCE ONLY.

2 MATERIAL: ALUMINUM 6061-76.

3 FINISH: POLYESTER EPOXY, COLOR RAL 6006.

RELEASED FOR PUBLICATION

ALL RIGHTS RESERVED.

BY TYCO ELECTRONICS CORPORATION.

THIS DRAWING IS UNPUBLISHED.

COPYRIGHT

DIMENSIONS: mm	DWN K. GLATFELTER 23MAR2005	MATERIAL	2 -	FINISH	3 -
	CHK J. SHIPE 08MAY2005	Tyco Electronics Corporation Harrisburg, Pa 17105-3608			
TOLERANCES UNLESS OTHERWISE SPECIFIED:	APVD D. BAECHTLE 08MAY2005	NAME	BACKPACK ASSEMBLY CABLE REEL		
	PRODUCT SPEC	SIZE	CAGE CODE	DRAWING NO	RESTRICTED TO
	APPLICATION SPEC	A4	00779	C=1754516	-
0 PLC ± - 1 PLC ± - 2 PLC ± - 3 PLC ± - 4 PLC ± - ANGLES ± -	WEIGHT	CUSTOMER DRAWING			SCALE NTS SHEET 1 OF 1 REV A