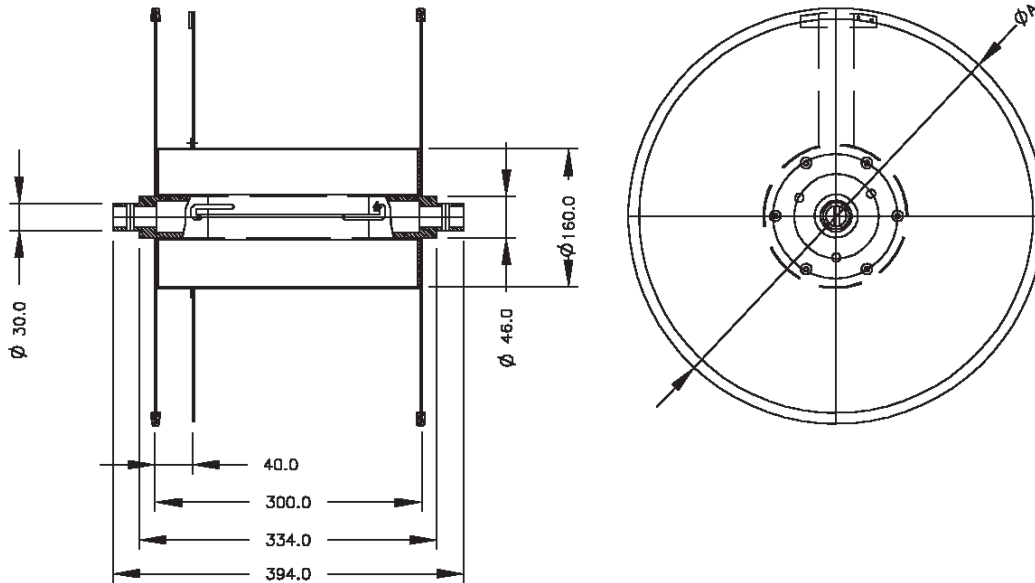


LOC	DIST	REVISIONS					
CE	16	P	LTR	DESCRIPTION	DATE	DWN	APVD
			A	RELEASED	08MAY05	KG	JS



TYCO P/N	ØA	Ø6.0mm CABLE CAPACITY (M)	
		STRAIGHT LAY	RANDOM LAY
1754515-1	310.0	301	226
1754515-2	370.0	524	393
1754515-3	460.0	917	688
1754515-4	510.0	1166	874

1. DIMENSIONS ARE FOR REFERENCE ONLY.

2 MATERIAL: ALUMINUM 6061-76.

3 FINISH: POLYESTER EPOXY, COLOR RAL 6006.

THIS DRAWING IS UNPUBLISHED. ALL RIGHTS RESERVED. BY TYCO ELECTRONICS CORPORATION.

DIMENSIONS: mm	DWN K. GLATFELTER 23MAR2005	MATERIAL	2 -	FINISH	3 -
	CHK J. SHIPE 08MAY2005	Tyco Electronics Corporation Harrisburg, Pa 17105-3608			
TOLERANCES UNLESS OTHERWISE SPECIFIED:	APVD D. BAECHTLE 08MAY2005				
0 PLC ± -	PRODUCT SPEC	SIZE	CAGE CODE	DRAWING NO	RESTRICTED TO
1 PLC ± -	APPLICATION SPEC	A4	00779	C=1754515	-
2 PLC ± -	WEIGHT	CUSTOMER DRAWING			SCALE
3 PLC ± -					NTS
4 PLC ± -					SHEET
ANGLES ± -					1 OF 1
					REV
					A