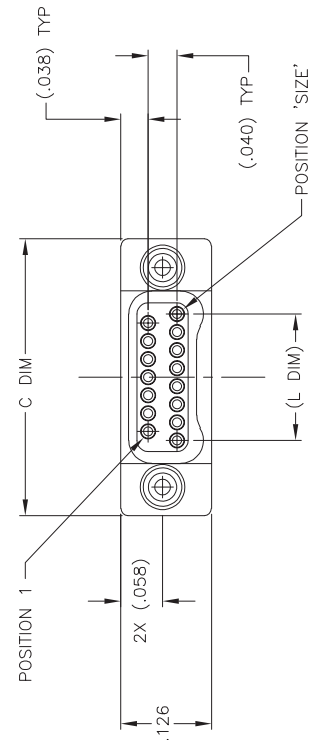
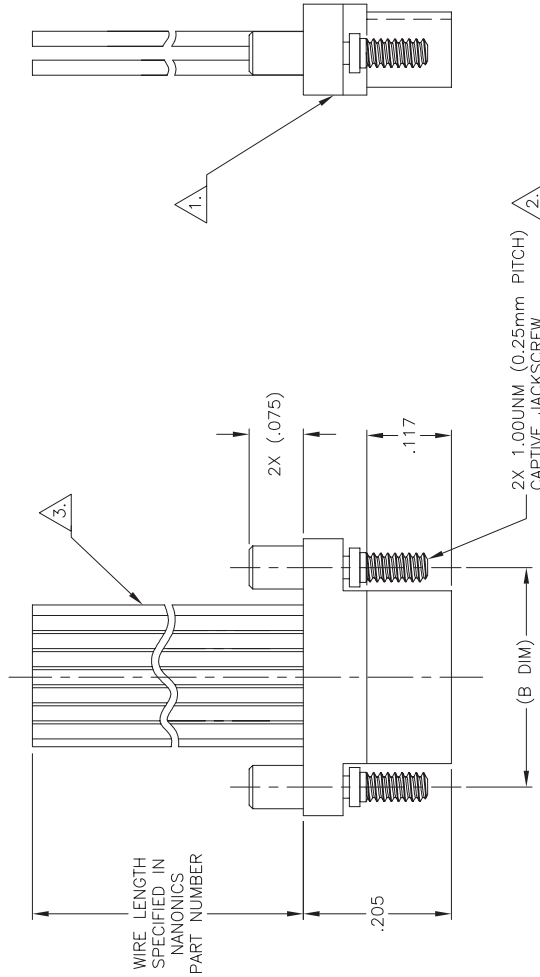


THIS DRAWING IS UNPUBLISHED. RELEASED FOR PUBLICATION BY TYCO ELECTRONICS CORPORATION. ALL RIGHTS RESERVED.		REVISONS		DATE	TIME	APP
LOC	DIST	P	CHK	DATE	TIME	APP
DF	DO	R		12 MAY 04	CAS	MKS
DESCRIPTION			UPDATE PER 0HP2Y-0164-04			



SIZE	(B DIM)	C DIM ±.0050	(L DIM)
09	(.229)	.3085	(.100)
15	(.304)	.3835	(.175)
25	(.429)	.5085	(.300)
37	(.579)	.6585	(.450)
51	(.754)	.8335	(.625)
65	(.929)	1.0085	(.800)

1. SHELL OPTIONS (TO BE SPECIFIED IN NANONICS PART NUMBER):
 METAL: 6061-T6 ALUMINUM, ELECTROLESS NICKEL PLATED PER MIL-C-26074 (STANDARD) OR GOLD PLATED PER MIL-G-45204
 303 STAINLESS STEEL, PASSIVATED PER SAE-AMS-QQ-P-35
 INSULATOR MATERIAL FOR ALL METAL SHELLS IS LIQUID CRYSTAL POLYMER (LCP) PER MIL-M-24519 OR PER ASTM D5138
 PLASTIC: LIQUID CRYSTAL POLYMER (LCP) PER MIL-M-24519 OR PER ASTM D5138
2. STANDARD 1.00UNM CAPTIVE JACKSCREWS ARE SHOWN FOR REFERENCE ONLY AND MUST BE SPECIFIED IN THE NANONICS PART NUMBER WHEN REQUIRED. JACKSCREW MATERIAL IS 303 STAINLESS STEEL, PASSIVATED PER SAE-AMS-QQ-P-35, AND DRY LUBED PER DOD-L-85645. RETAINING RING IS 17-4 STAINLESS STEEL, PASSIVATED PER SAE-AMS-QQ-P-35. JACKSCREWS HAVE A .9mm HEX SOCKET HEAD. 1.20UNM JACKSCREWS ALSO AVAILABLE.
3. THIS CONFIGURATION MAY BE TERMINATED WITH 28 AWG SOLID, 30 AWG STRANDED OR SMALLER WIRE, OR RIBBON CABLE. CONDUCTOR TYPE AND LENGTH MUST BE SPECIFIED IN NANONICS PART NUMBER.
4. THIS DRAWING PREVIOUSLY IDENTIFIED AS NANONICS N10138/201

THIS DRAWING IS A CONTROLLED DOCUMENT.		REV	DATE	BY
DIMENSIONS: INCHES		D	21 APR 92	D. RYAN
TOLERANCES UNLESS OTHERWISE SPECIFIED:		CHK	15 MAY 98	L. PALLUIS
±	± .010	APP	5 APR 01	M. STORRY
±	± .005	PRODUCT SPEC		
±	± .1	APPLICATION SPEC		
±	± .1	WEIGHT		
±	± .1	CUSTOMER DRAWING		
MATERIAL		SIZE	DATE CODE	DRAWING NO
SEE NOTES		A2	00779	1589472
FINISH		SCALE 8:1		
SEE NOTES		SHEET 1 OF 1		

TYCO ELECTRONICS CORPORATION
 HARRISBURG, PA 17105

PLUG ASSEMBLY, FLYING LEADS,
 TWO ROW DUAL IN LINE,
 PLASTIC OR METAL

RESTRICTED TO