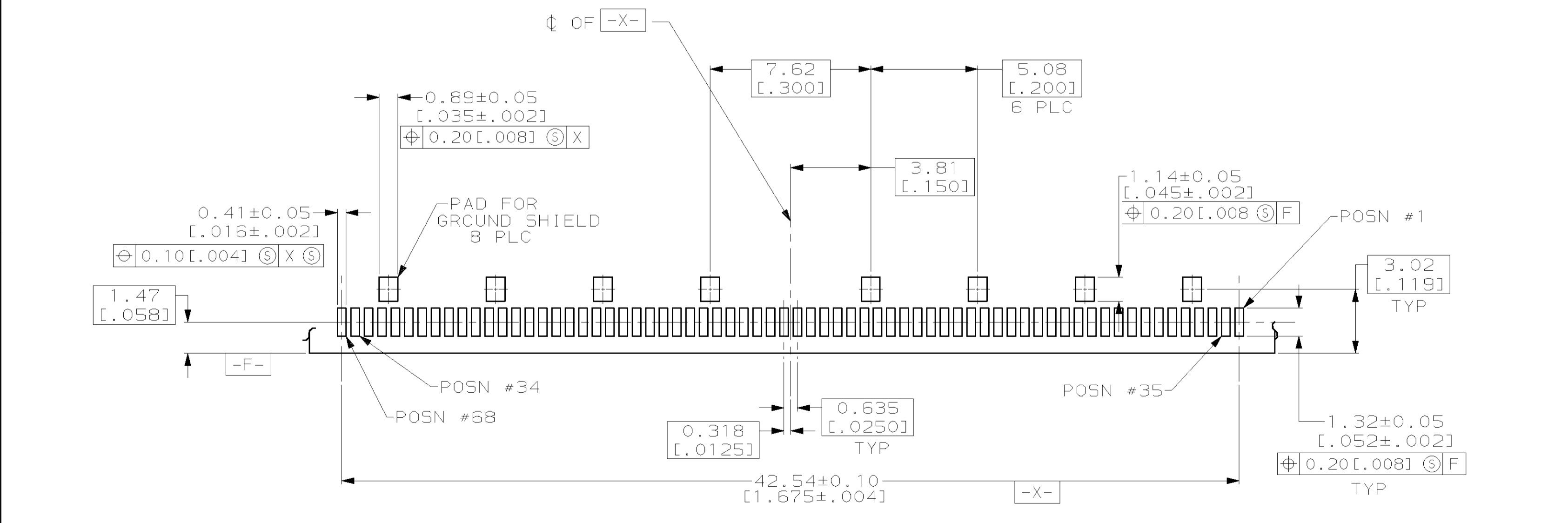
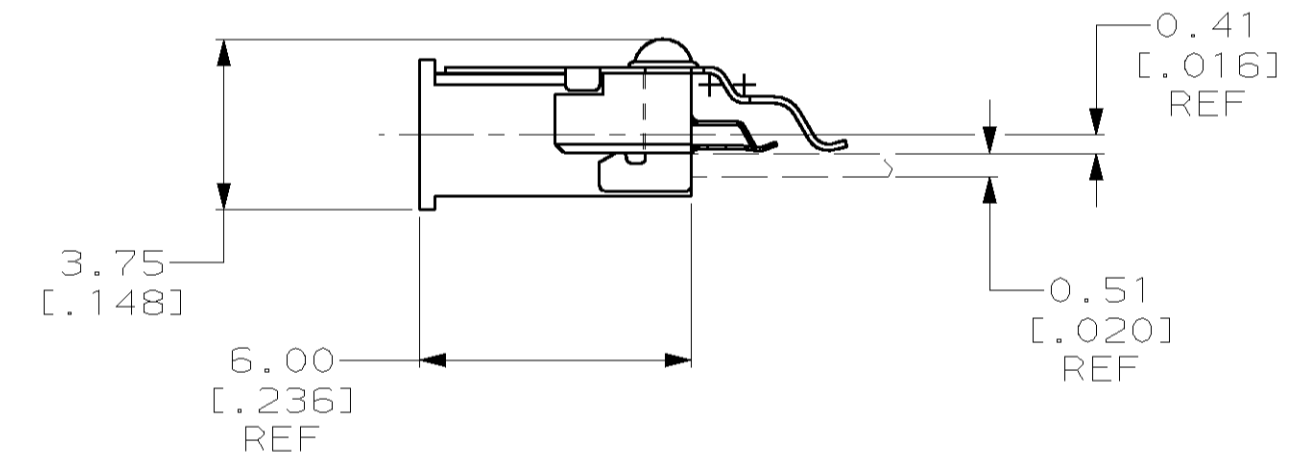
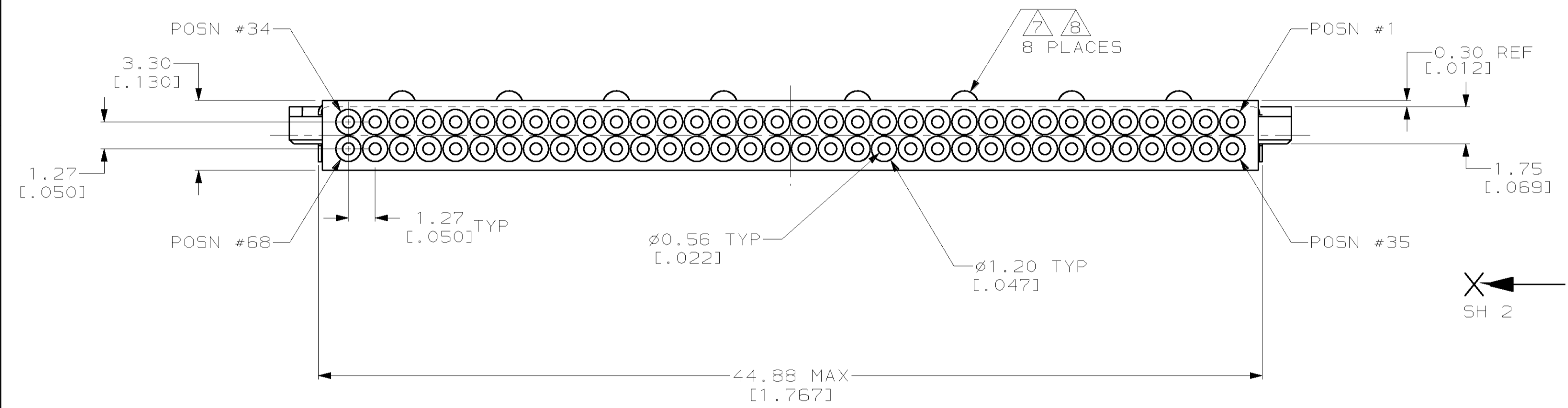
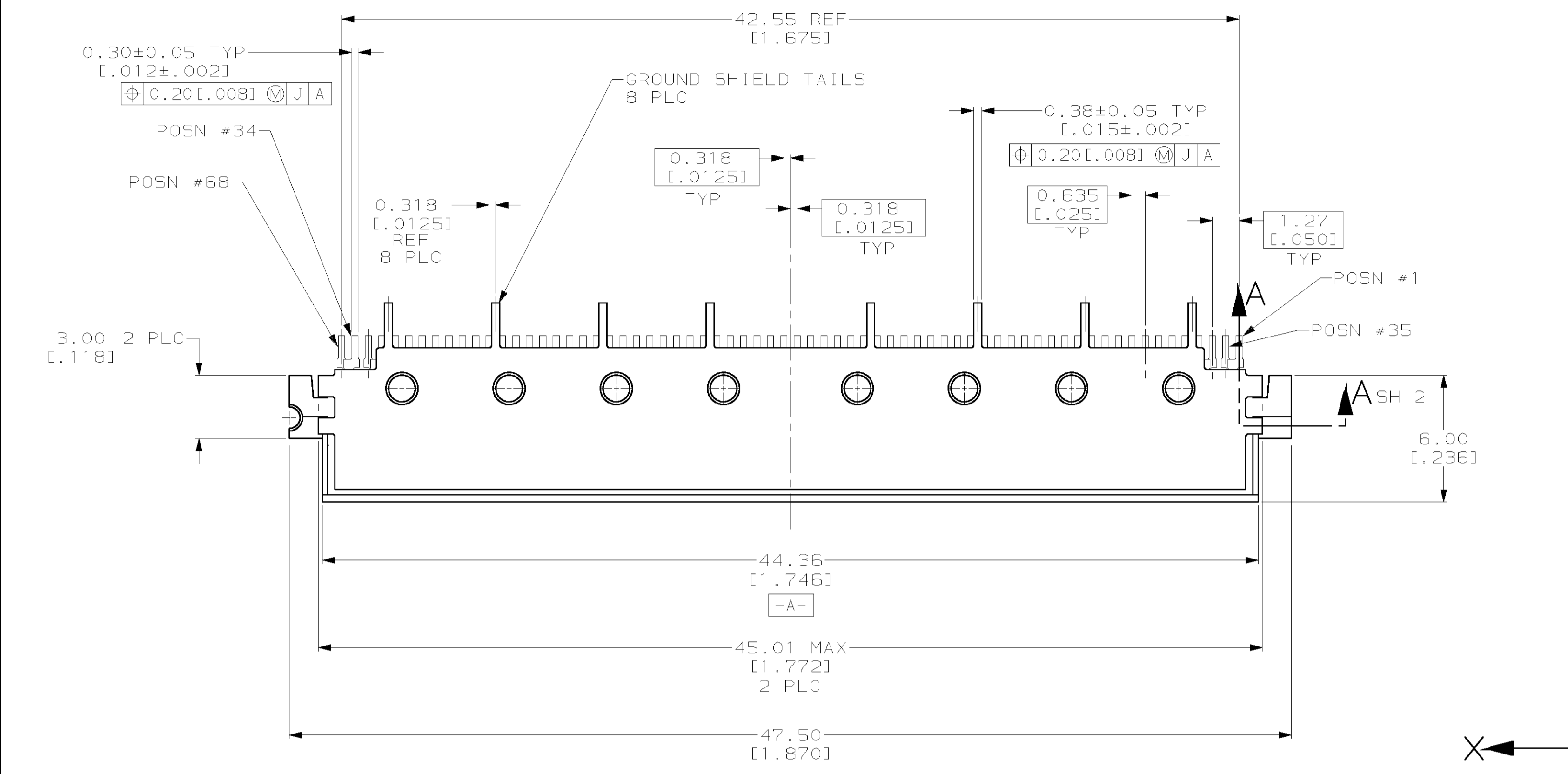


LOC	REV	DATE	BY	APPV
AD	36			

- REVISIONS
- | REV | DESCRIPTION | DATE | BY | APPV |
|-----|--|---------|-----|------|
| L | SUPERSEDED: -1, -2 & -3; EC 001C-0043-01 | 04JUN01 | DLD | AWR |
- 1 HOUSING: LCP, GLASS FILLED, COLOR: BLACK.
 - 2 CONTACT: BERYLLIUM COPPER; SHIELD: BRASS.
 - 3 CONTACT: 0.00076[.000030] MINIMUM GOLD ON MATING AREA, 0.00254[.000100] MINIMUM MATTE 93/7 TIN-LEAD ON SOLDER TAIL, ALL OVER 0.00127[.000050] MINIMUM SEMI-BRIGHT NICKEL.
 - 4 DIMENSION IN REFERENCE TO LOWEST POINT OF EACH LEAD.
 5. POINT OF CONTACT 2.3[.091] REF FROM MATING FACE.
 - 6 APPLIES TO 68 SIGNAL TAILS ONLY.
 - 7 SHIELD: 0.00076[.000030] MINIMUM GOLD IN LOCALIZED PLATE AREA "A", 0.00381-0.00635[.000150-.000250] MATTE 93/7 TIN-LEAD IN LOCALIZED PLATE AREA "B", ALL OVER 0.00127[.000050] MINIMUM SEMI-BRIGHT NICKEL.
 - 8 LOCALIZED PLATING AREA "A".
 - 9 LOCALIZED PLATING AREA "B".
 - 10 PACKAGED IN TUBES.
 - 11 PACKAGED IN 56mm WIDE TAPE AND PLASTIC REEL.
 - 12 PACKAGED IN 72mm WIDE TAPE AND PLASTIC REEL.
 - 13 CONTACT: 0.00076[.000030] MINIMUM GOLD ON MATING AREA, 0.00064[.000025] MINIMUM SEMI-BRIGHT NICKEL ON MATING AREA, 0.00254[.000100] MINIMUM MATTE 60/40 TIN-LEAD ON SOLDER TAIL, ALL OVER 0.00127[.000050] MINIMUM MATTE NICKEL.
 - 14 SHIELD: 0.00076[.000030] MINIMUM GOLD IN LOCALIZED PLATING AREA "A", 0.00127[.000050] MINIMUM GOLD IN LOCALIZED PLATING AREA "B", ALL OVER 0.00127[.000050] MINIMUM MATTE NICKEL.



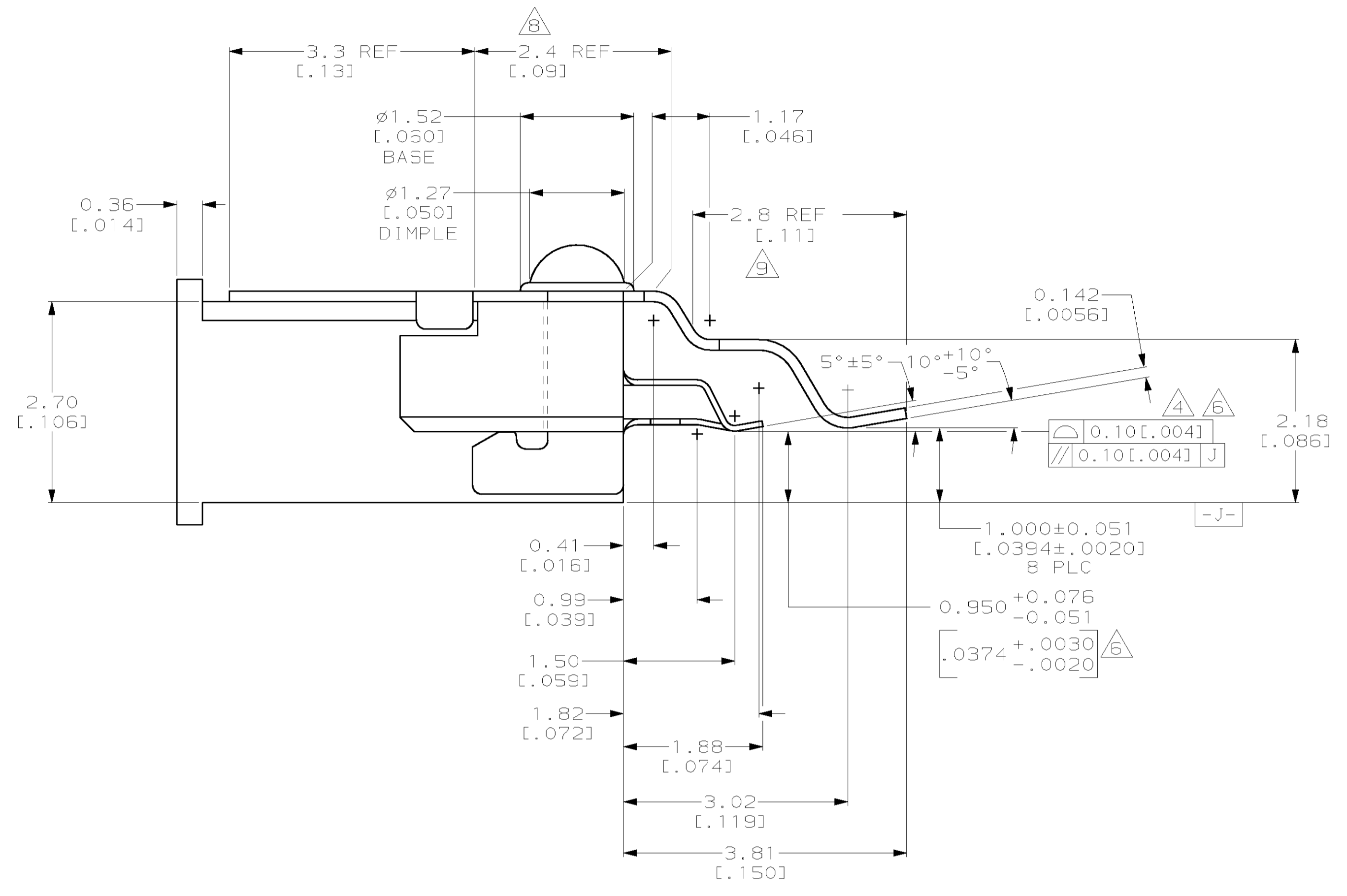
SUGGESTED PC BOARD LAYOUT

PLATING	MATERIAL	PACKAGING	PART NUMBER
7 13	1 2	12	146777-5
		11	146777-4
		12	146777-3
3 7	1 2	11	146777-2
		10	146777-1

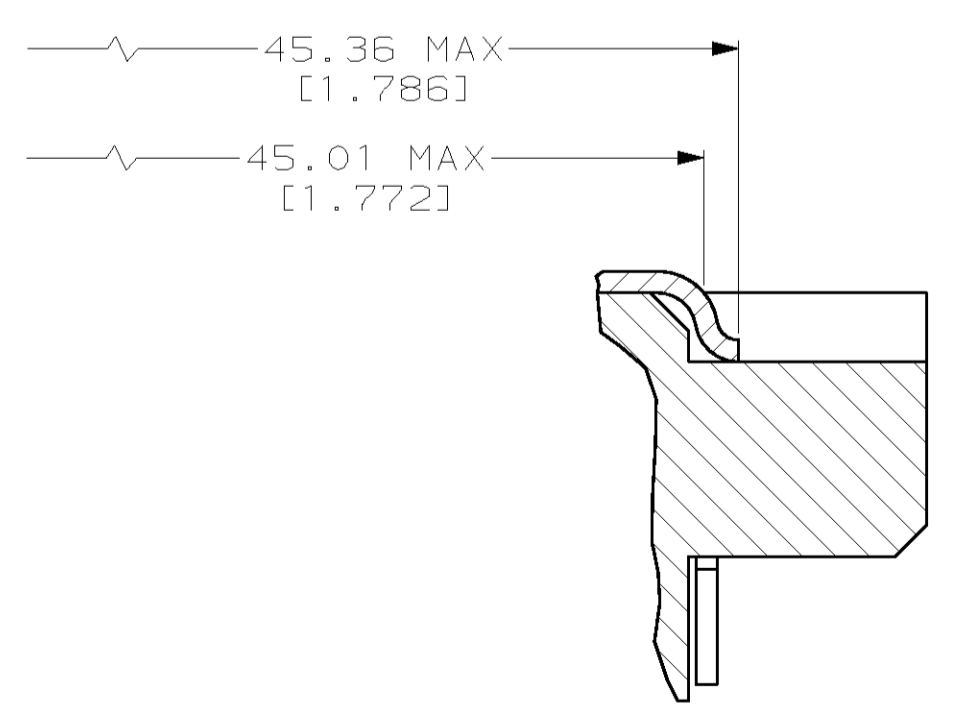
SUPERSEDED BY 146777-5
 SUPERSEDED BY 146777-4
 SUPERSEDED BY 146777-5

THIS DRAWING IS UNPUBLISHED. RELEASED FOR PUBLICATION. BY AMP INCORPORATED. ALL RIGHTS RESERVED.		DATE: 22 AUG 96 C. REIFSNYDER 12 SEP 96 D. DIXON 19 SEP 96 D. DIXON 19 SEP 96	AMP Incorporated Harrisburg, PA 17105-3608
DIMENSIONS: mm [INCHES]	TOLERANCES UNLESS OTHERWISE SPECIFIED: 0 PLC ±.01 1 PLC ±.015 2 PLC ±.02 3 PLC ±.025 4 PLC ±.03 ANGLES 12°	PRODUCT SPEC: AMP PC CARDBUS APPLICATION SPEC: AMP PC CARDBUS	RECEPTACLE ASSEMBLY, SMT, 68 POSN, 6mm/.236 IN, 0.41mm/.016 INCH OFFSET, AMP PC CARDBUS
MATERIAL: SEE TABLE	FINISH: SEE TABLE	WEIGHT: - CUSTOMER DRAWING	SIZE: A1 CAGE CODE: 00779 DRAWING NO: C-146777 SCALE: 6:1 SHEET: 1 OF 2 REV

LOC	QTY	REV	DATE	BY	APPV
AD	36	L	SEE SHEET 1	-	-



VIEW X-X
SCALE 20:1



SECTION A-A
SCALE 20:1

<small>THIS DRAWING IS A CONTROLLED DOCUMENT AND IS UNPUBLISHED. IT IS SUBJECT TO CHANGE AND THE CONTROLLING ENGINEERING DEPARTMENT SHOULD BE CONTACTED FOR THE LATEST REVISION.</small>		DWN: C. REIFSNYDER 22 AUG 96 CHK: D. DIXON 12 SEP 96 APPV: D. DIXON 19 SEP 96	AMP AMP Incorporated Harrisburg, PA 17105-3608
DIMENSIONS: mm [INCHES]	TOLERANCES UNLESS OTHERWISE SPECIFIED: Ø PLC ±.015 1 PLC ±.010 2 PLC ±.008 3 PLC ±.007 4 PLC ±.006 5 PLC ±.005 ANGLES 12°	PRODUCT SPEC: - APPLICATION SPEC: - WEIGHT: -	RECEPTACLE ASSEMBLY, SMT, 68 POSN, 6mm/.236 IN, 0.41mm/.016 INCH OFFSET, AMP PC CARDBUS
MATERIAL: SEE SHEET 1	FINISH: SEE SHEET 1	CUSTOMER DRAWING	SIZE: A1 CAGE CODE: 00779 DRAWING NO: C-146777 SCALE: 6:1 SHEET: 22 OF 22 REV: L