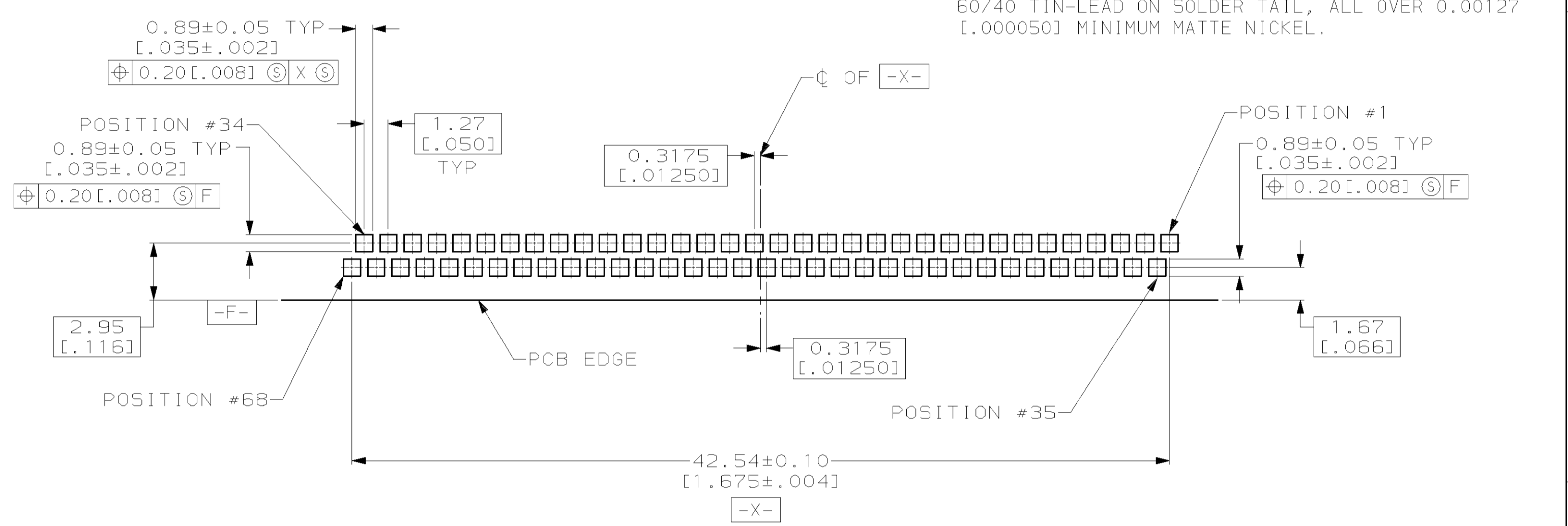
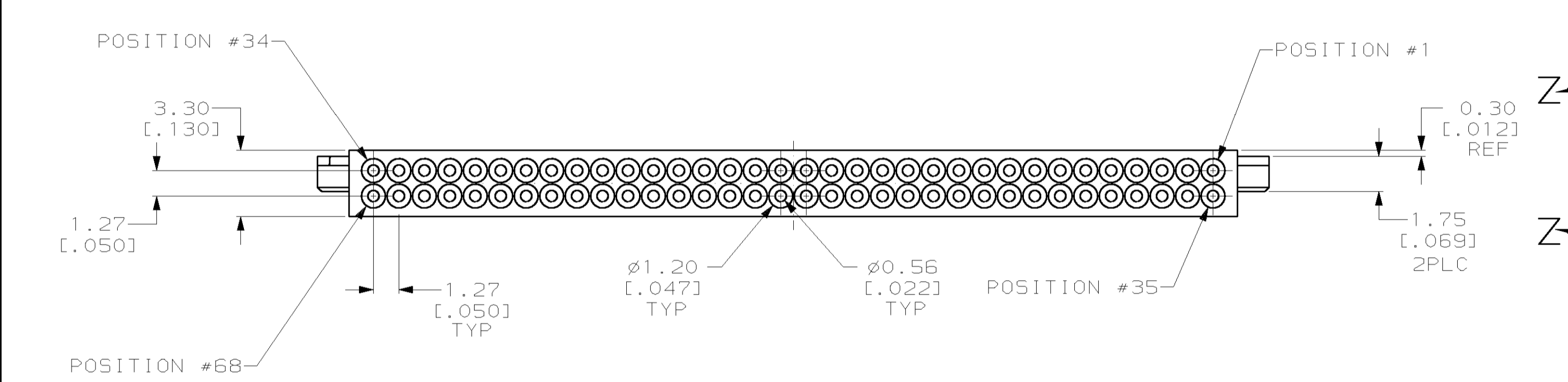
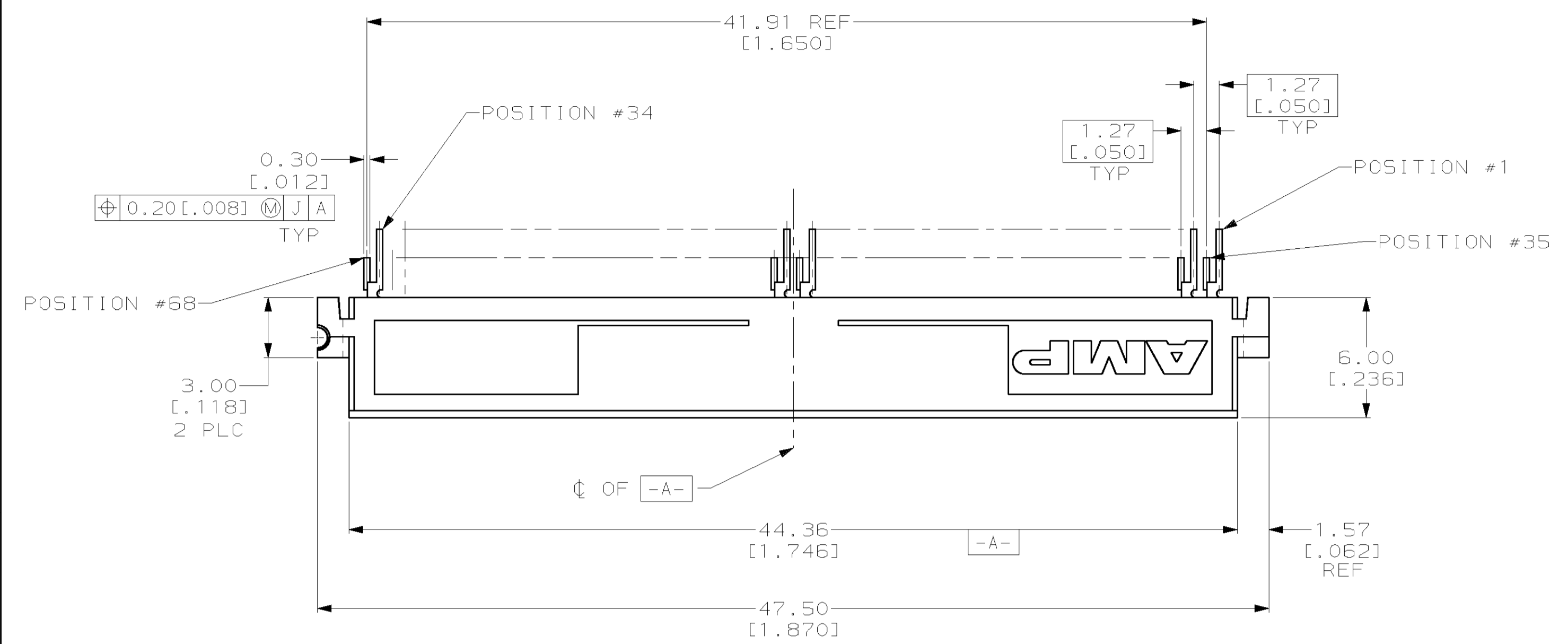
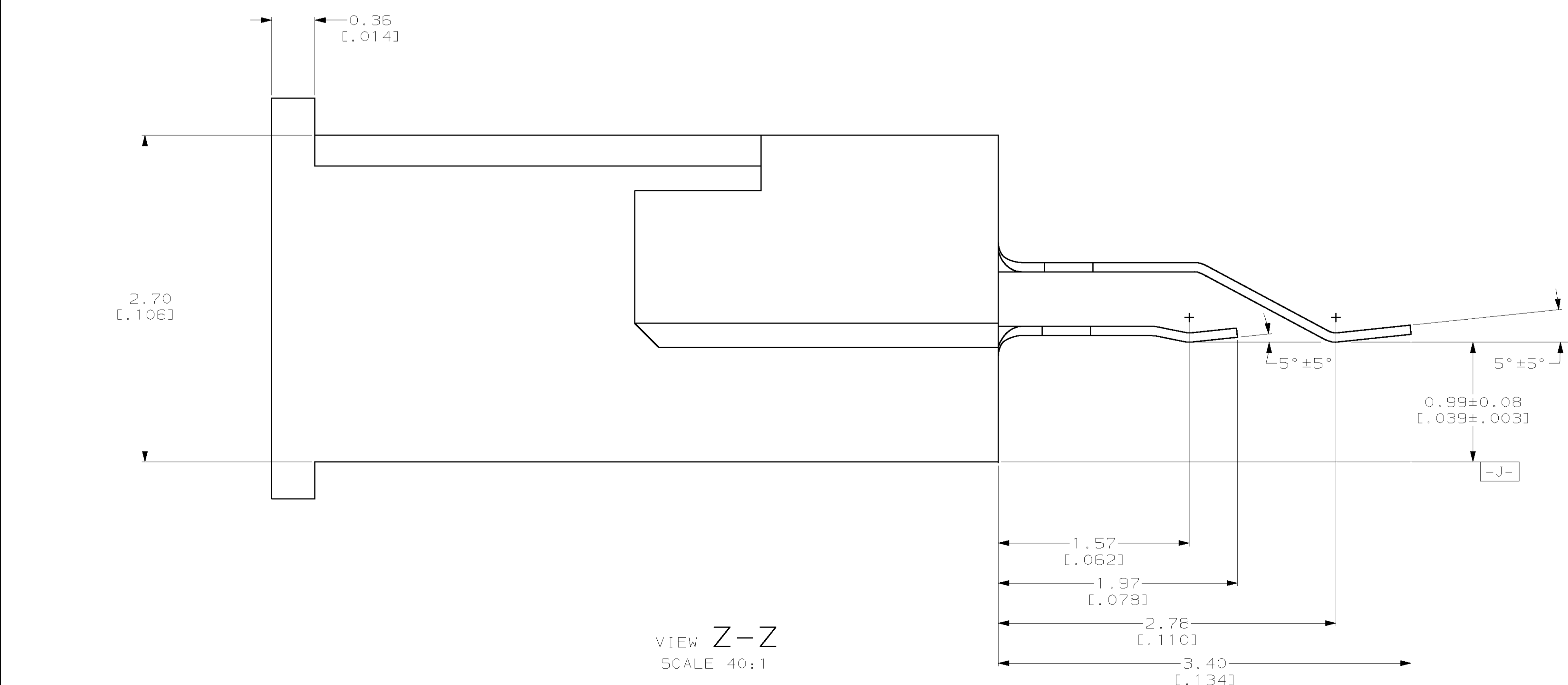


LOC	REV	DATE	BY	CHKD	APVD
AD	39				

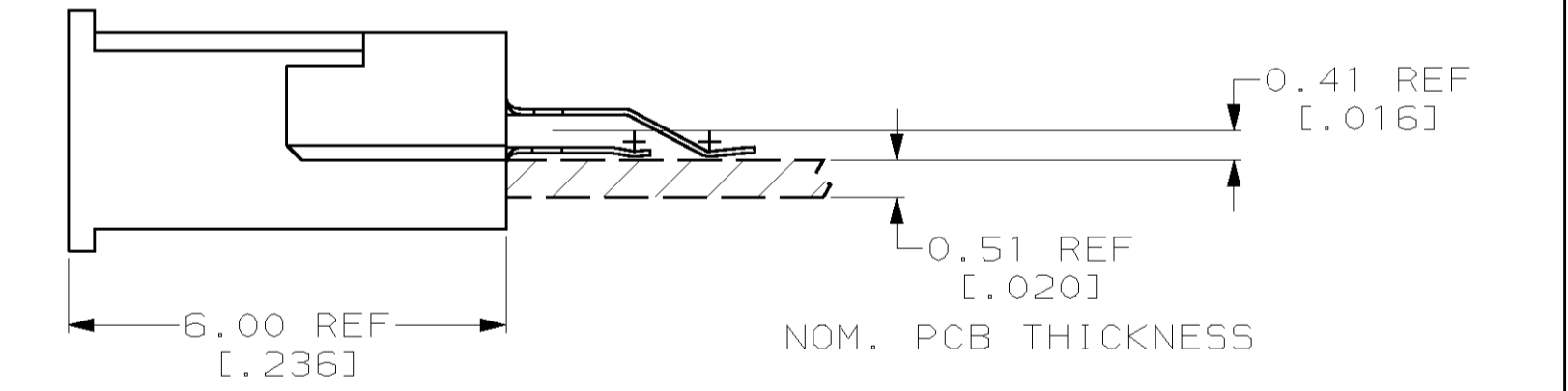
- REVISIONS
- | REV | DESCRIPTION | DATE | BY | APVD |
|-----|---|---------|-----|------|
| K | SUPERSEDED -1, -2 & -3; EC 001C-0043-01 | 04JUN01 | DLD | AWR |
- ① HOUSING: LCP, GLASS FILLED, COLOR: BLACK.
 - ② CONTACT: BERYLLIUM COPPER.
 - ③ CONTACT: 0.00076[.000030] MINIMUM GOLD ON MATING AREA, 0.00254[.000100] MINIMUM MATTE 93/7 TIN-LEAD ON SOLDER TAIL, ALL OVER 0.00127[.000050] MINIMUM SEMI-BRIGHT NICKEL.
 - ④ DIMENSION IN REFERENCE TO LOWEST POINT OF EACH LEAD.
 - 5. POINT OF CONTACT 2.3[.091] REF FROM MATING FACE.
 - ⑥ APPLIES TO ALL SOLDER TAILS.
 - ⑦ PACKAGED IN 56mm WIDE TAPE AND PLASTIC REEL.
 - ⑧ PACKAGED IN 72mm WIDE TAPE AND PLASTIC REEL.
 - ⑨ CONTACT: 0.00076[.000030] MINIMUM GOLD ON MATING AREA, 0.00064[.000025] MINIMUM SEMI-BRIGHT NICKEL ON MATING AREA, 0.00254[.000100] MINIMUM MATTE 60/40 TIN-LEAD ON SOLDER TAIL, ALL OVER 0.00127[.000050] MINIMUM MATTE NICKEL.



RECOMMENDED PC BOARD LAYOUT



VIEW Z-Z
SCALE 40:1



PC BOARD LOCATION (REF)
SCALE: 10:1

SUPERSEDED BY 146231-5
 SUPERSEDED BY 146231-4
 SUPERSEDED BY 146231-5

REV	DESCRIPTION	DATE	BY	APVD
⑨				
① ②				
⑧				
⑦				
⑧				
⑦				
⑦				

PLATING	MATERIAL	PACKAGING	PART NUMBER
			146231-5
			146231-4
			146231-3
			146231-2
			146231-1

AMP INCORPORATED HARRISBURG, PA 17105-3608	RCPT ASSEMBLY, SURFACE MOUNT, 68 POS, 0.41mm/.016in OFFSET, AMP MEMORY CARD
SIZE: A1	CAGE CODE: 00779
SCALE: 5:1	DRAWING NO: C-146231
CUSTOMER DRAWING	SHEET 1 OF 1 REV K