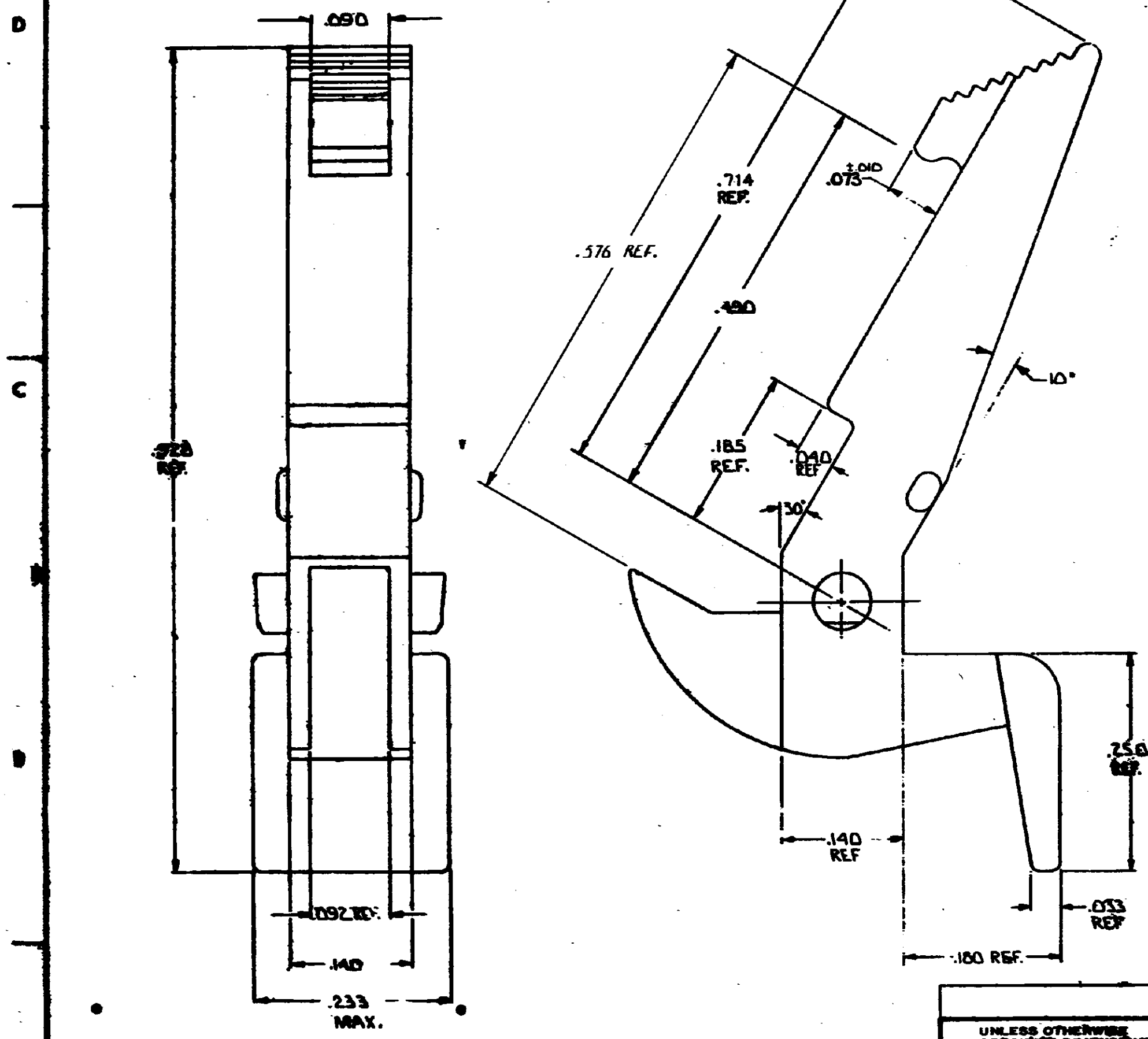


REVISED MADE IN THIRD ANGLE PROJECTION

© COPYRIGHT 1968, 69 BY AMP INCORPORATED, HARRISBURG, PA.  
 ALL INTERNATIONAL RIGHTS RESERVED. AMP INCORPORATED PROPERTY  
 REGISTERED BY U. S. AND FOREIGN PATENT OFFICES/AS PATENTS PENDING.

102186-1 1. AS SHOWN

		REVISIONS		
NO.	DATE	DESCRIPTION	DATE	APPROVED
1		REVISED (REDRAWN) ECN 2772	11-2-70	JK
2		REVISED ECN 2887	11-11-70	JK
3		REVISED PER ECN 3105	3-1-71	JD
4		TITLE CHANGE ECN 4222-241	11-11-79	BLW
5		REV. PER ECN 916	11-11-79	JK
6		REV. PER ECN 0087	11-17-84	WEZ



⚠ TO BE USED WITH AMP LATCH CONNECTOR WITH STRAIN RELIEF COVER.

UNLESS OTHERWISE SPECIFIED DIMENSIONS ARE IN INCHES TOLERANCES ON: DECIMALS ± .005 ANGL ° ±		AMP INCORPORATED HARRISBURG, PA.	
MATERIAL FLAME RETARDANT GLASS FILLED NYLON COLOR BLACK FINISH		LATCH USED IN AMP LATCH UNIVERSAL HEADER	
		102186	
		SHEET 1/1	

GLASSBORO DRAWINGS