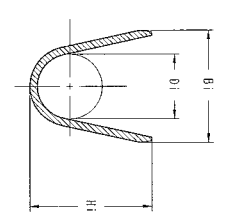
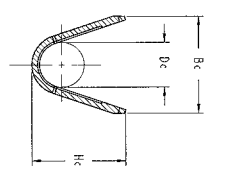
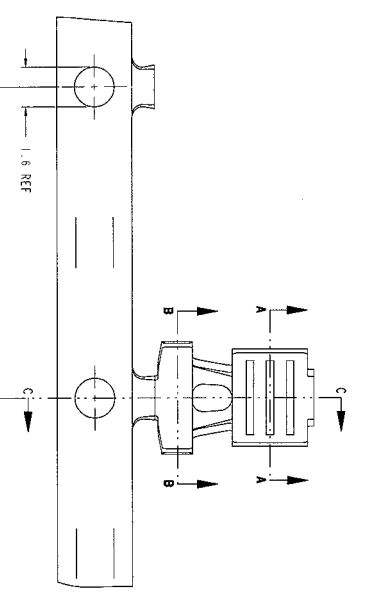
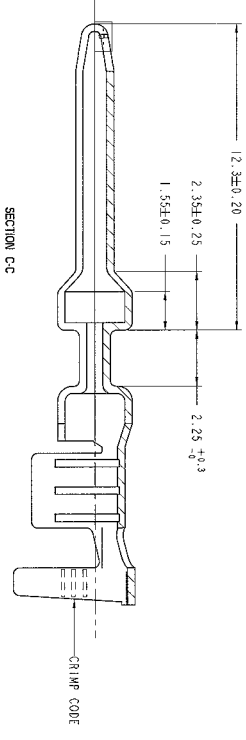
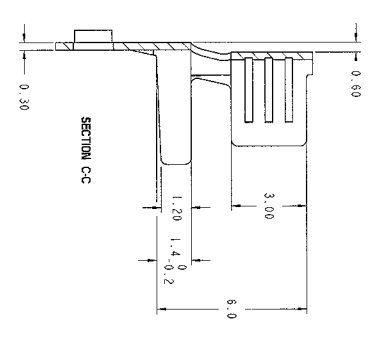
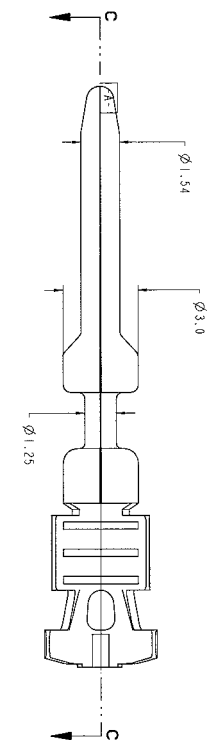


NECK DOWN AREA OF TERMINAL MUST NOT BREAK-OUT OR FRACTURE WHEN PULL OF TERMINAL BEGINS IN ANY DIRECTION TO AN ANGLE OF 90 MIN. OFF THE CENTER LINE OF TERMINAL.

CRIMP TYPE	CRIMP AREA DIMENSION												CRIMP CODE
	B ₁	B ₂	D ₁	H ₁	H ₂	B ₃	D ₂	D ₃	H ₃	H ₄	H ₅	H ₆	
C	3.70	1.80	3.90	4.70	2.60	4.90							
	±0.15	REF	±0.15	±0.15	REF	±0.15							
I	2.50	1.20	2.90	3.00	2.00	4.00							
	±0.15	REF	±0.15	±0.15	REF	±0.15							
B	2.00	0.80	2.70	2.80	1.50	3.00							
	±0.15	REF	±0.15	±0.15	REF	±0.15							

FULL SIZE VIEWS
SCALE 1:300

FULL ASSY VIEW
WATERPROOF
SCALE 2:000



PART AS SUPPLIED

P/N	DESCRIPTION	WATERPROOF	WIRE CROSS SEC. AREA	CRIMP CODE	CRIMP SPEC.	WEIGHT	COMPONENTS		MATERIALS		COMPONENTS SUPPLIED APART		TO FIT IN CAVITY	
							TERMINAL WIRE SEAL	SEE SHEET	TERMINAL	WIRE SEAL	TYPE	DESCRIPTION		
△ I-1437709-1	TERMINAL MALE TIN P.L.T.	YES	0.27±0.35mm ²		AC/11/8/95	0.3029g.	1	SEE SHEET	I-1437713-1 (0.27±0.35) BLACK					
△ I-1437709-2	TERMINAL MALE TIN P.L.T.	YES	0.50±1.0mm ²		AC/11/8/95	0.3429g.	1	SEE SHEET	I-1437713-2 (0.50±1.00) RED					
△ I-1437709-3	TERMINAL MALE TIN P.L.T.	NO	1.50±2.5mm ²		AC/11/8/95	0.3439g.	1	NOT USED	I-1437713-3 (1.50) BLUE					
△ I-1437709-4	TERMINAL MALE TIN P.L.T.	NO	0.27±0.35mm ²		AC/11/8/95	0.3029g.	1	NOT USED						
△ I-1437709-2	TERMINAL MALE TIN P.L.T.	NO	0.50±1.0mm ²		AC/11/8/95	0.3429g.	1	NOT USED						
△ I-1437709-3	TERMINAL MALE TIN P.L.T.	NO	1.50±2.5mm ²		AC/11/8/95	0.3439g.	1	NOT USED						

TERMINAL

1.6 SYSTEM
TERMINAL PLATED

DATE: 00779 (S) 14.8070

SCALE: 10:1

