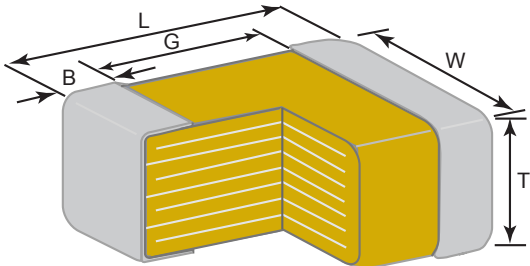
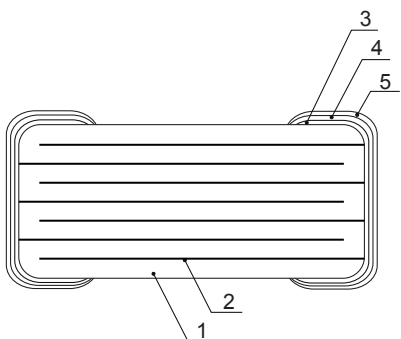


TDK MLCC Datasheet¹

TDK P/N **C1608** **X7R** **1H** **102** **K** **T** **XXXX**

1) 2) 3) 4) 5) 6) 7)

No.	Segment	Detail	Comments
1	Case Size	1.6 x 0.8 mm	See below for dimensions.
2	Temperature Characteristics	-55+125°C ± 15%	Class II ; Conforms to EIA 198
3	Rated Voltage	50 V	DC
4	Capacitance	1,000 pF	1.0 ± 0.2 Vrms , 1kHz ± 10%
5	Capacitance Tolerance	± 10%	Conforms to IEC 384-9
6	Packaging Style	Tape and Reel, 8 mm	EIA 481 Format
7	TDK internal Code	XXXX	(Internal TDK use only)
-	Dissipation Factor (DF)	0.03 max.	1.0 ± 0.2 Vrms , 1kHz ± 10%
-	Insulation Resistance	10,000 M min.	apply rated voltage for 60s

Physical Dimensions		Material System					
							
Symbol	Dimensions (mm)	No.	Name	Material			
L	1.6 ± 0.1	1	Dielectric	Class I		Class II	
W	0.8 ± 0.1			Pd	TME	Pd	TME
T	0.9 max.	2	Electrode	Pd	Ni	Pd	Ni
B	0.2 min.	3	Termination	Ag or Ag/Pd	Cu	Ag or Ag/Pd	Cu
G	0.5 min.	4		Ni			
		5		Sn			

¹ This datasheet gives a basic overview of the multilayer ceramic capacitor as defined in the above TDK part number. A full specification (including part number construction, available capacitance ranges, packaging and caution notes) is available upon request. The information above is subject to change by TDK without any notice.