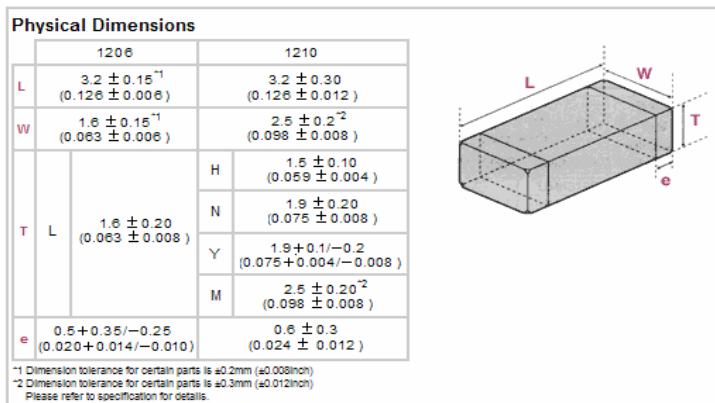


# TAIYO-HICVCAP-V3

## Taiyo Yuden 1206/1210 High Cap Value Ceramic Capacitor Kit

| Case Size | PartNo.         | Rated Voltage | Capacitance        | Temperature Characteristic | Sample Qty. |
|-----------|-----------------|---------------|--------------------|----------------------------|-------------|
| 1206      | GMK316B7105KL-T | 35V           | 1.0 $\mu$ F +/-10% | X7R                        | 10          |
| 1206      | TMK316B7225KL-T | 25V           | 2.2 $\mu$ F +/-10% | X7R                        | 10          |
| 1206      | TMK316BJ475KL-T | 25V           | 4.7 $\mu$ F +/-10% | X5R                        | 10          |
| 1206      | TMK316BJ106KL-T | 25V           | 10 $\mu$ F +/-10%  | X5R                        | 10          |
| 1206      | EMK316BJ475KL-T | 16V           | 4.7 $\mu$ F +/-10% | X5R                        | 10          |
| 1206      | EMK316BJ106KL-T | 16V           | 10 $\mu$ F +/-10%  | X5R                        | 10          |
| 1206      | EMK316BJ226ML-T | 16V           | 22 $\mu$ F +/-20%  | X5R                        | 10          |
| 1206      | LMK316B7106KL-T | 10V           | 10 $\mu$ F +/-10%  | X7R                        | 10          |
| 1206      | LMK316BJ226ML-T | 10V           | 22 $\mu$ F +/-20%  | X5R                        | 10          |
| 1206      | JMK316BJ226ML-T | 6.3V          | 22 $\mu$ F +/-20%  | X5R                        | 10          |
| 1206      | JMK316BJ476ML-T | 6.3V          | 47 $\mu$ F +/-20%  | X5R                        | 10          |
| 1210      | UMK325B7105KH-T | 50V           | 1.0 $\mu$ F +/-10% | X7R                        | 10          |
| 1210      | GMK325BJ225KN-T | 35V           | 2.2 $\mu$ F +/-10% | X5R                        | 10          |
| 1210      | GMK325BJ106KN-T | 35V           | 10 $\mu$ F +/-10%  | X5R                        | 10          |
| 1210      | TMK325B7225KH-T | 25V           | 2.2 $\mu$ F +/-10% | X7R                        | 10          |
| 1210      | TMK325B7475KN-T | 25V           | 4.7 $\mu$ F +/-10% | X7R                        | 10          |
| 1210      | TMK325BJ106MM-T | 25V           | 10 $\mu$ F +/-20%  | X5R                        | 10          |
| 1210      | EMK325BJ226MM-T | 16V           | 22 $\mu$ F +/-20%  | X5R                        | 10          |
| 1210      | EMK325BJ476MM-T | 16V           | 47 $\mu$ F +/-20%  | X5R                        | 10          |
| 1210      | LMK325BJ226MM-T | 10V           | 22 $\mu$ F +/-20%  | X5R                        | 10          |
| 1210      | LMK325BJ476MM-T | 10V           | 47 $\mu$ F +/-20%  | X5R                        | 10          |
| 1210      | JMK325BJ476MM-T | 6.3V          | 47 $\mu$ F +/-20%  | X5R                        | 10          |
| 1210      | JMK325BJ107MY-T | 6.3V          | 100 $\mu$ F +/-20% | X5R                        | 10          |

\* All components in this kit are RoHS compliant. Specifications subject to change without notice. Components in this kit are for design trial and testing performance and are not intended for use in mass production.



# TAIYO YUDEN