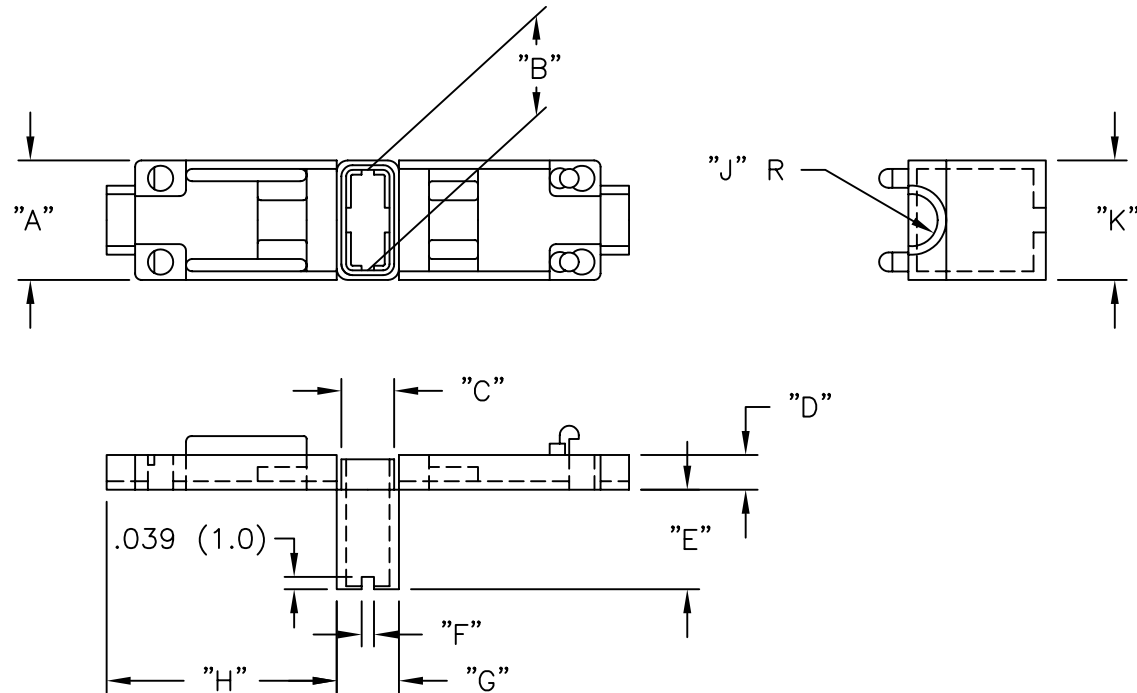


PART NO.	TERMINAL TYPE	WIRE DIA.	"A"	"B"	"C"	"D"	"E"	"F"	"G"	"H"	"J"	"K"	U.L. CAT. NO.
OS-110	STRAIGHT TYPE 110 SERIES	7/64 (3.0)	.307 (7.8)	.157 (4.0)	.087 (2.2)	.091 (2.3)	.268 (6.8)	.031 (0.8)	.165 (4.2)	.708 (18.0)	.059 (1.5)	.236 (6.0)	52
OS-187	STRAIGHT TYPE 187 SERIES	9/64 (3.6)	.331 (8.4)	.236 (6.0)	.102 (2.6)	.105 (2.7)	.268 (6.8)	.039 (1.0)	.165 (4.2)	.693 (17.6)	.071 (1.8)	.299 (7.6)	51
OS-205	STRAIGHT TYPE 205 SERIES	9/64 (3.6)	.339 (8.6)	.260 (6.6)	.118 (3.0)	.102 (2.6)	.276 (7.0)	.039 (1.0)	.181 (4.6)	.693 (17.6)	.071 (1.8)	.331 (8.4)	51
OS-250	STRAIGHT TYPE 250 SERIES	5/32 (3.8)	.378 (9.6)	.315 (8.0)	.134 (3.4)	.110 (2.8)	.315 (8.0)	.039 (1.0)	.197 (5.0)	.728 (18.5)	.075 (1.9)	.378 (9.6)	50



NOTES:

- MATERIAL: NYLON 6, RMS-120, UL NO. E53664
- COLOR: NATURAL.

B	RMS-120 WAS RMS-61; CHANGED FILE NO.	SM 10.25.01
A	RMS-61 WAS RMS-28	PB 102794
REV	DESCRIPTION	ENGR DATE

TITLE: "ONE TOUCH" SLEEVE INSULATOR (OS SERIES)				⊕	≡	DWG IN IN (MM)	QR
TOLERANCES UNLESS NOTED .XX=±.010 .XXX=±.005 FRAC=±1/64 ANG=±1'		FILE # OS	DWN: P.B.	APP:		FINAL	
		MAT'L: SEE NOTES	DT: 05-10-94	DT:		PART #	
		RE: RICHCO, INC.	RICHCO INC. PO BOX 804238, CHICAGO, 60680 (773) 539-4060		SEE TABLE		PRINT TYPE CA