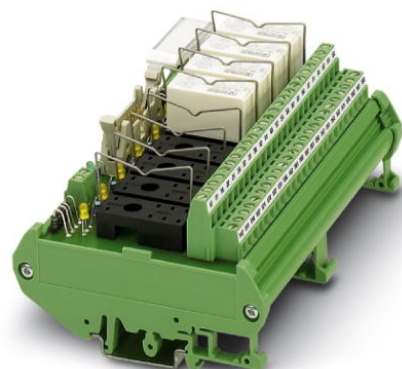


UMK- 8 RELS/KSR-G24/21-21/PLC

Order No.: 2976187



<http://eshop.phoenixcontact.de/phoenix/treeViewClick.do?UID=2976187>

VARIOFACE output module, with plug-in sockets for 8 miniature switching relays, each with 2 PDT contacts (without relays), for 24 V DC



Commercial data

| | |
|--------------------------|--------------------|
| EAN | 4017918089245 |
| Pack | 1 Pcs. |
| Customs tariff | 85364190 |
| Weight/Piece | 0.2507 KG |
| Catalog page information | Page 220 (IF-2007) |

Product notes

WEEE/RoHS-compliant since:
09/20/2006



<http://www.download.phoenixcontact.com>
Please note that the data given here has been taken from the online catalog. For comprehensive information and data, please refer to the user documentation. The General Terms and Conditions of Use apply to Internet downloads.

Technical data

Input data

| | |
|------------------------------|---------------------|
| Nominal input voltage U_N | 24 V DC |
| Name of protection | Free-wheeling diode |
| Protective circuit/component | Damping diode |
| Operating voltage display | LED green |

| | |
|------------------------|------------|
| Status display/channel | Yellow LED |
|------------------------|------------|

Output data

| | |
|----------------------------------------------|-------------|
| Contact type | 2 PDT |
| Maximum switching voltage | 250 V AC/DC |
| Limiting continuous current | 3 A |
| Error detection (line break / short circuit) | no |

General data

| | |
|------------------------------------------|-------------------------------------------|
| No. of channels | 8 |
| Compatible components | Miniature switching relay, REL-KSR-G24/21 |
| With components | No |
| Width | 135 mm |
| Height | 68 mm |
| Length | 90 mm |
| Ambient temperature (operation) | -20 °C ... 50 °C |
| Ambient temperature (storage/transport) | -20 °C ... 70 °C |
| Test voltage relay winding/relay contact | 2.5 kV AC |
| Standard - Electrical safety | IEC 60664 DIN EN 50178 IEC 62103 |
| Mounting position | Any |
| Assembly instructions | In rows with zero spacing |
| Pollution degree | 2 |
| Surge voltage category | III |
| Housing insulation material | PVC, side panel PA non-reinforced, |
| Color | green |

Connection data

| | |
|---------------------------------------|------------------------------------------------------------|
| Connection 1 | Input |
| Type of connection | Flat-ribbon cable plug connector in acc. with IEC 60603-13 |
| Number of positions | 14 |
| Connection 2 | Output |
| Type of connection | Screw connection |
| Number of positions | 6 |
| Conductor cross section solid min. | 0.14 mm ² |
| Conductor cross section solid max. | 1.5 mm ² |
| Conductor cross section stranded min. | 0.14 mm ² |

| | |
|----------------------------------------|---------------------|
| Conductor cross section stranded max. | 1.5 mm ² |
| Conductor cross section AWG/kcmil min. | 26 |
| Conductor cross section AWG/kcmil max | 14 |
| Screw thread | M 3 |
| Stripping length | 6 mm |

Certificates / Approvals

Approval logo

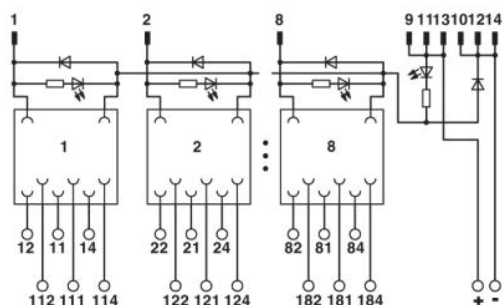


requested approbations

| | |
|---------------|------|
| Certification | GOST |
|---------------|------|

Drawings

Circuit diagram



Address

PHOENIX CONTACT Inc., USA
586 Fulling Mill Road
Middletown, PA 17057, USA
Phone (800) 888-7388
Fax (717) 944-1625
<http://www.phoenixcon.com>



© 2008 Phoenix Contact
Technical modifications reserved;