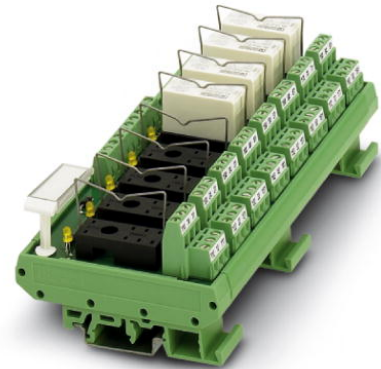


UMK- 8 RELS/KSR-24/21/21

Order No.: 2975722



<http://eshop.phoenixcontact.de/phoenix/treeViewClick.do?UID=2975722>

VARIOFACE module, with plug-in sockets for 8 miniature switching relays with 2 PDT contacts, with LED



Commercial data

EAN	4017918100810
Pack	1 Pcs.
Customs tariff	85364190
Weight/Piece	0.2745 KG
Catalog page information	Page 265 (IF-2007)

Product notes

WEEE/RoHS-compliant since:
03/30/2007



<http://www.download.phoenixcontact.com>
Please note that the data given here has been taken from the online catalog. For comprehensive information and data, please refer to the user documentation. The General Terms and Conditions of Use apply to Internet downloads.

Technical data

Input data

Nominal input voltage U_N	24 V DC \pm 10%
Input voltage range in reference to U_N	0.9 ... 1.1
Name of protection	Free-wheeling diode
Protective circuit/component	Damping diode

Status display/channel	Yellow LED
Output data	
Contact type	2 PDT
Maximum switching voltage	250 V AC
Limiting continuous current	5 A
Error detection (line break / short circuit)	no
General data	
No. of channels	8
Compatible components	Miniature switching relays or miniature optocouplers
With components	No
Width	168.8 mm
Height	59 mm
Length	77 mm
Ambient temperature (operation)	-20 °C ... 50 °C
Ambient temperature (storage/transport)	-20 °C ... 70 °C
Test voltage relay winding/relay contact	2.5 kV AC
Standard - Electrical safety	DIN VDE 0110
Mounting position	Any
Pollution degree	2
Surge voltage category	III
Housing insulation material	PVC, side panel PA non-reinforced,
Color	green
Connection data	
Connection 1	Input
Type of connection	Screw connection
Number of positions	10
Conductor cross section stranded min.	0.14 mm ²
Conductor cross section stranded max.	1.5 mm ²
Conductor cross section solid min.	0.14 mm ²
Conductor cross section solid max.	1.5 mm ²
Conductor cross section AWG/kcmil min.	26
Conductor cross section AWG/kcmil max	14
Screw thread	M 3

Stripping length	6 mm
Connection 2	Output
Type of connection	Screw connection
Number of positions	6
Conductor cross section solid min.	0.14 mm ²
Conductor cross section solid max.	1.5 mm ²
Conductor cross section stranded min.	0.14 mm ²
Conductor cross section stranded max.	1.5 mm ²
Conductor cross section AWG/kcmil min.	26
Conductor cross section AWG/kcmil max	14
Screw thread	M 3
Stripping length	6 mm

Certificates / Approvals

Approval logo

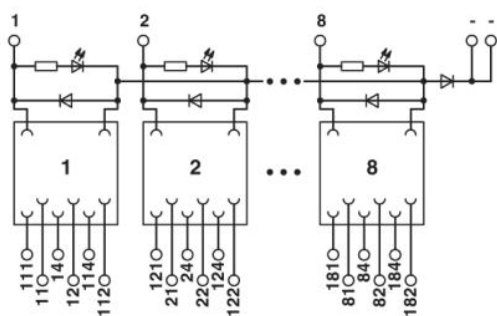


requested approbations

Certification	GOST
---------------	------

Drawings

Circuit diagram



Address

PHOENIX CONTACT Inc., USA
586 Fulling Mill Road
Middletown, PA 17057, USA
Phone (800) 888-7388
Fax (717) 944-1625
<http://www.phoenixcon.com>



© 2008 Phoenix Contact
Technical modifications reserved;