

## EMG 22-LED 7S/ 24

Order No.: 2952305

The illustration shows version EMG 22-LED 7S/ 5

<http://eshop.phoenixcontact.de/phoenix/treeViewClick.do?UID=2952305>Indicator module, with 7 red LEDs and common return line, input  
voltage 24 V DC

### Commercial data

EAN	4017918084400
Pack	10 Pcs.
Customs tariff	85318095
Weight/Piece	0.05253 KG
Catalog page information	Page 564 (IF-2007)

### Product notes

WEEE/RoHS-compliant since:  
05/11/2006

<http://www.download.phoenixcontact.com>  
Please note that the data given here has been taken from the online catalog. For comprehensive information and data, please refer to the user documentation. The General Terms and Conditions of Use apply to Internet downloads.

### Technical data

#### General data

Input voltage	24 V DC
Current required per light indicator	Approx. 3 mA
Status display	7 LEDs
Width	22.5 mm
Height	47.5 mm

Length	75 mm
Ambient temperature (operation)	-20 °C ... 45 °C
Ambient temperature (storage/transport)	-40 °C ... 60 °C
Standards/regulations	IEC 664/IEC 664 A/DIN VDE 0110-1:1989-01, Gr. B for 5, 12, 24, 60 V AC, Gr. C for 250 V AC
	DIN VDE 0160
Pollution degree	2
Surge voltage category	III
Mounting position	Any
Assembly instructions	In rows with zero spacing

#### Connection data

Conductor cross section solid min.	0.2 mm <sup>2</sup>
Conductor cross section solid max.	4 mm <sup>2</sup>
Conductor cross section stranded min.	0.2 mm <sup>2</sup>
Conductor cross section stranded max.	2.5 mm <sup>2</sup>
Conductor cross section AWG/kcmil min.	24
Conductor cross section AWG/kcmil max	12
Stripping length	8 mm
Screw thread	M 3
Type of connection	Screw connection

#### Certificates / Approvals

##### Approval logo



#### requested approbations

Certification	GOST
---------------	------

#### Accessories

Item	Designation	Description
------	-------------	-------------

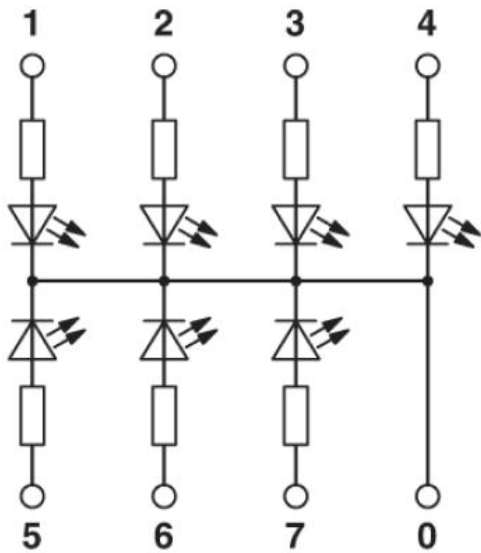
#### Marking

2947035	EMG-GKS 12	Equipment marker, width 12 mm
---------	------------	-------------------------------

## Drawings

### Circuit diagram

---



**Address**

PHOENIX CONTACT Inc., USA  
586 Fulling Mill Road  
Middletown, PA 17057, USA  
Phone (800) 888-7388  
Fax (717) 944-1625  
<http://www.phoenixcon.com>



© 2008 Phoenix Contact  
Technical modifications reserved;