

EM-MP 70

Order No.: 2942742

The illustration shows version EM-MP 45 N

<http://eshop.phoenixcontact.de/phoenix/treeViewClick.do?UID=2942742>

Mounting plate, for screwing on siz 0 switchgear

Commercial data

EAN	4017918099435
Pack	10 Pcs.
Customs tariff	39269097
Weight/Piece	0.03102 KG
Catalog page information	Page 571 (CC-2007)

Product notes

WEEE/RoHS-compliant since:
04/01/2005

<http://www.download.phoenixcontact.com>
Please note that the data given here has been taken from the online catalog. For comprehensive information and data, please refer to the user documentation. The General Terms and Conditions of Use apply to Internet downloads.

Technical data

General

Housing type	Mounting rail adapter
Housing material	Polyamide fiber reinforced
Color	green

Dimensions / positions

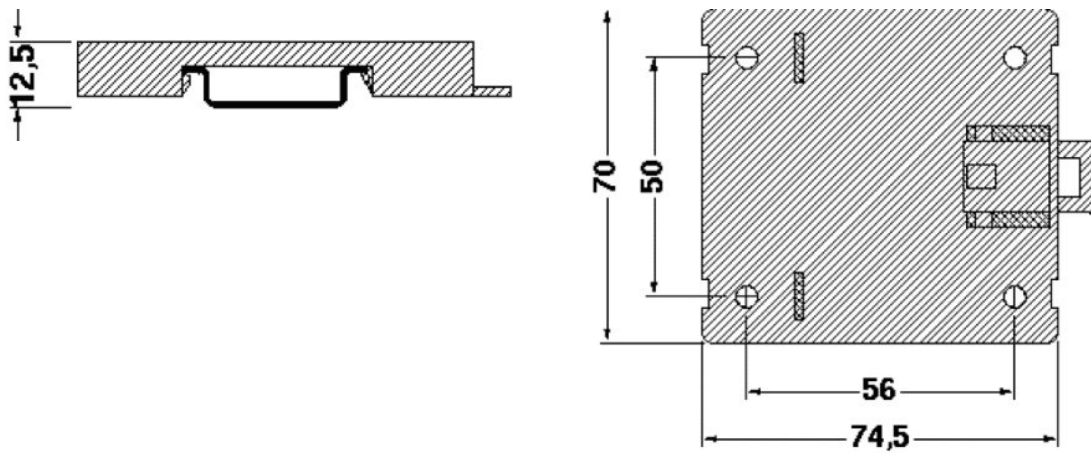
Length	74.5 mm
Width	70 mm

Technical data

Ambient temperature (operation)	-40 °C ... 105 °C
Inflammability class acc. to UL 94	V2

Drawings

Dimensioned drawing



EM-MP 70 Order No.: 2942742

<http://eshop.phoenixcontact.de/phoenix/treeViewClick.do?UID=2942742>

Address

PHOENIX CONTACT Inc., USA
586 Fulling Mill Road
Middletown, PA 17057, USA
Phone (800) 888-7388
Fax (717) 944-1625
<http://www.phoenixcon.com>



© 2008 Phoenix Contact
Technical modifications reserved;