

STEP-PS/1AC/12DC/3

Order No.: 2868570

<http://eshop.phoenixcontact.de/phoenix/treeViewClick.do?UID=2868570>

DIN rail power supply unit 12 V DC/3 A, primary switched-mode, 1-phase

Commercial data

| | |
|--------------------------|---------------------|
| EAN | 4046356309578 |
| Pack | 1 pcs. |
| Customs tariff | 85044081 |
| Weight/Piece | 0.2255 KG |
| Catalog page information | Page 249 (NTK-2008) |

Product notes

WEEE/RoHS-compliant since:
02/04/2008

<http://www.download.phoenixcontact.com>
Please note that the data given here has been taken from the online catalog. For comprehensive information and data, please refer to the user documentation. The General Terms and Conditions of Use apply to Internet downloads.

Product description

STEP POWER power supply units – for building automation

The new STEP POWER generation of compact power supply units is particularly suitable for installation distributors and flat control panels thanks to its design. The power supply units are available with 24 V DC output voltage in four performance classes and widths and with the special voltages 5, 12, 15 and 48 V DC. Their high degree of efficiency and the low standby losses make for high power efficiency.

Technical data

Input data

| | |
|------------------------------|--|
| Nominal input voltage | 100 V AC ... 240 V AC |
| AC input voltage range | 85 V AC ... 264 V AC |
| DC input voltage range | 95 V DC ... 250 V DC |
| AC frequency range | 45 Hz ... 65 Hz |
| DC frequency range | 0 Hz |
| Current consumption | Approx. 0.6 A (120 V AC) Approx. 0.3 A (230 V AC) |
| Inrush surge current | < 15 A (typical) |
| Power failure bypass | > 26 ms (120 V AC) > 160 ms (230 V AC) |
| Input fuse | 3.15 A (slow-blow, internal) |
| Recommended backup fuse | 6 A 10 A 16 A (characteristic B) |
| Name of protection | Transient surge protection |
| Protective circuit/component | Varistor |

Output data

| | |
|--------------------------------------|--|
| Nominal output voltage | 12 V DC \pm 1% |
| Setting range of the output voltage | 10 V DC ... 16.5 V DC (> 12 V constant capacity) |
| Output current | 3 A (-25°C ... 70°C) 3.3 A (-25 °C ... 40 °C permanent) 4.9 A (maximum output current) |
| Connection in parallel | Yes, for redundancy and increased capacity |
| Connection in series | Yes |
| Control deviation | < 1 % (change in load, static 10% ... 90%) < 2 % (change in load, dynamic 10% ... 90%) < 0.1 % (change in input voltage \pm 10%) |
| Residual ripple | < 40 mVPP (with nominal values) |
| Peak switching voltages nominal load | < 40 mVPP (with nominal values) |
| Maximum power dissipation idling | 0.5 W |
| Power loss nominal load max. | 6.4 W |

General data

| | |
|--|---|
| Width | 54 mm |
| Height | 90 mm |
| Depth | 61 mm |
| Weight | 0.2 kg |
| Operating voltage display | LED green |
| Efficiency | > 85 % (for 230 V AC and nominal values) |
| Insulation voltage input/output | 4 kV AC (type test) 2 kV AC (routine test) |
| Degree of protection | IP20 |
| Class of protection | II |
| MTBF | > 500 000 h in acc. with IEC 61709 (SN 29500) |
| Ambient temperature (operation) | -25 °C ... 70 °C (> 55° C derating) |
| Ambient temperature (storage/transport) | -40 °C ... 85 °C |
| Max. permissible relative humidity (operation) | 95 % (at 25°C, no condensation) |
| Mounting position | Horizontal DIN rail NS 35, EN 60715 |
| Assembly instructions | Can be aligned: Horizontal 0 cm, vertical 3 cm |
| Electromagnetic compatibility | Conformance with EMC guideline 2004/108/EC and for low-voltage guideline 2006/95/EC |
| Immunity to interference | EN 61000-6-2:2005 |
| Standard – Electrical equipment of machines | EN 60204 |
| Standard - Safety of transformers | IEC 61558-2-17 |
| Standard - Electrical safety | IEC 60950/VDE 0805 (SELV) |
| Standard – Electronic equipment for use in electrical power installations and their assembly into electrical power installations | EN 50178/VDE 0160 (PELV) |
| Standard – Safety extra-low voltage | IEC 60950 (SELV) and EN 60204 (PELV) |
| Standard - Safe isolation | DIN VDE 0100-410 DIN VDE 0106-1010 |
| Standard – Protection against electric shock | DIN 57100-410 |
| Standard – Protection against shock currents, basic requirements for protective separation in electrical equipment | DIN VDE 0106-101 |
| Standard – Limitation of mains harmonic currents | EN 61000-3-2 |
| Certificate | CB Scheme |
| UL approvals | UL/C-UL listed UL 508 UL/C-UL Recognized UL 60950 |

Connection data, input

| | |
|--|---------------------|
| Type of connection | Screw connection |
| Conductor cross section solid min. | 0.2 mm ² |
| Conductor cross section solid max. | 2.5 mm ² |
| Conductor cross section stranded min. | 0.2 mm ² |
| Conductor cross section stranded max. | 2.5 mm ² |
| Conductor cross section AWG/kcmil min. | 24 |
| Conductor cross section AWG/kcmil max | 12 |
| Stripping length | 6.5 mm |
| Screw thread | M3 |

Connection data, output

| | |
|--|---------------------|
| Type of connection | Screw connection |
| Conductor cross section solid min. | 0.2 mm ² |
| Conductor cross section solid max. | 2.5 mm ² |
| Conductor cross section stranded min. | 0.2 mm ² |
| Conductor cross section stranded max. | 2.5 mm ² |
| Conductor cross section AWG/kcmil min. | 24 |
| Conductor cross section AWG/kcmil max | 12 |
| Stripping length | 6.5 mm |

Signaling

| | |
|------------------------|-----------------------------------|
| Output name | LED status indicator |
| Status display | "DC OK" LED green |
| Note on status display | U _{OUT} > 10.8 V: LED on |

Certificates / Approvals

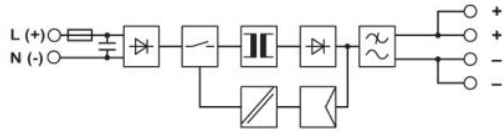


Certification CB, CUL, CUL Listed, UL, UL Listed

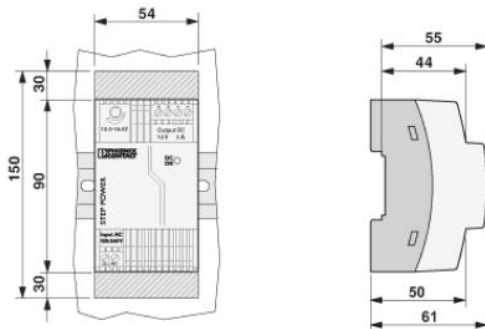
Certifications applied for: GL

Drawings

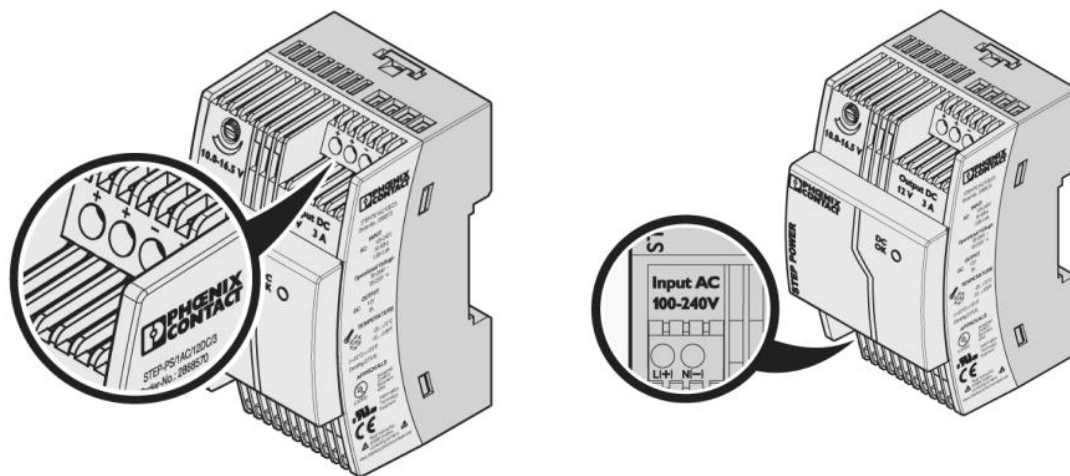
Block diagram

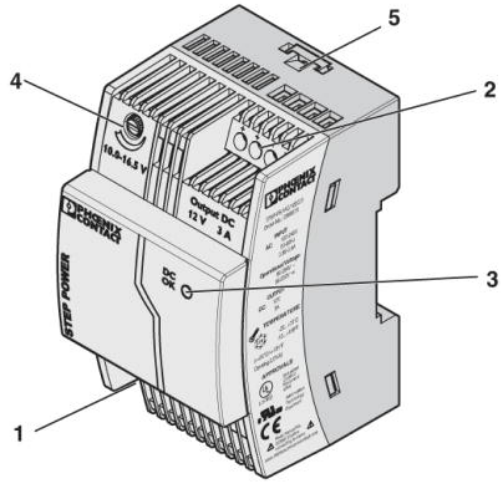
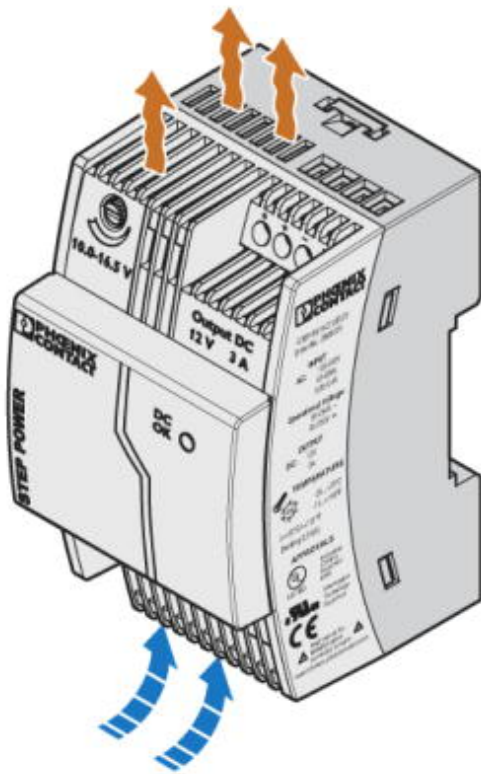


Dimensioned drawing



Schematic diagram





Address

PHOENIX CONTACT Inc., USA
586 Fulling Mill Road
Middletown, PA 17057, USA
Phone (800) 888-7388
Fax (717) 944-1625
<http://www.phoenixcon.com>



© 2009 Phoenix Contact
Technical modifications reserved;