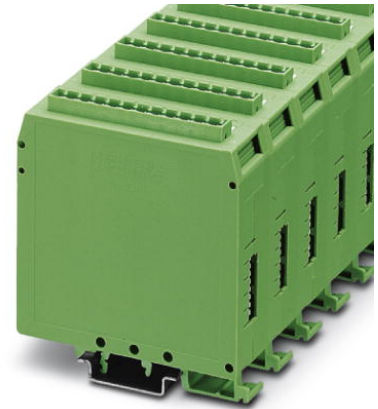


UEGM-OE/AV-24DC/24DC/100

Order No.: 2766850

<http://eshop.phoenixcontact.de/phoenix/treeViewClick.do?UID=2766850>Pulse expansion module, input: 24 V DC, output: 3 - 48 V DC/100 mA,
supply: 20 - 30 V DC**Commercial data**

| | |
|--------------------------|--------------------|
| EAN | 4017918066888 |
| Pack | 1 Pcs. |
| Customs tariff | 85364190 |
| Weight/Piece | 0.1038 KG |
| Catalog page information | Page 128 (IF-2007) |

Product notesWEEE/RoHS-compliant since:
12/13/2006

<http://www.download.phoenixcontact.com>
Please note that the data given here has been taken from the online catalog. For comprehensive information and data, please refer to the user documentation. The General Terms and Conditions of Use apply to Internet downloads.

Technical data**General data**

| | |
|---------------------------------|----------------|
| Length | 79 mm |
| Width | 25 mm |
| Ambient temperature (operation) | 0 °C ... 55 °C |

Certificates / Approvals

Approval logo



requested approbations

| | |
|---------------|------|
| Certification | GOST |
|---------------|------|

Accessories

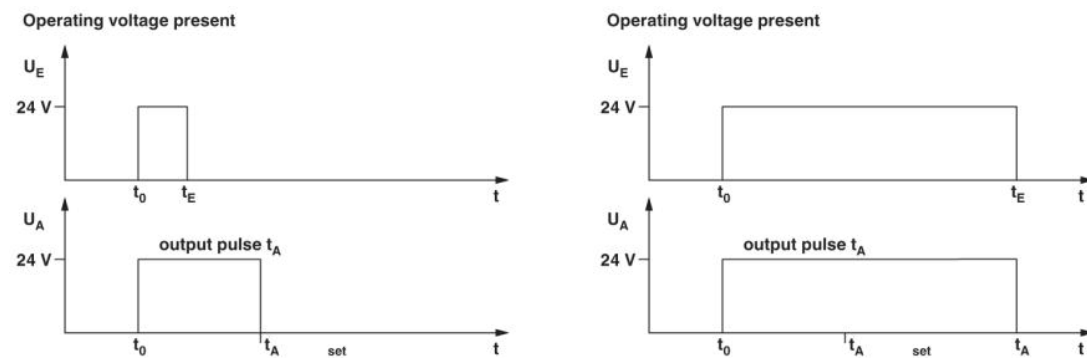
| Item | Designation | Description |
|------|-------------|-------------|
|------|-------------|-------------|

General

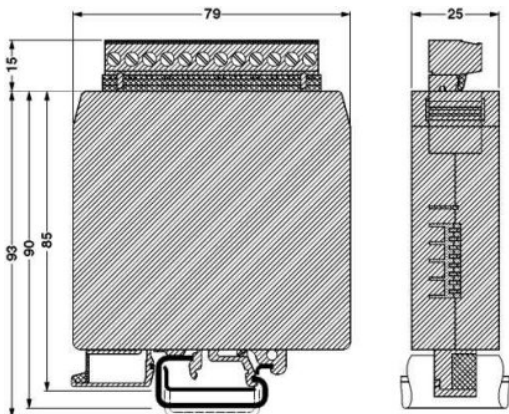
| | | |
|---------|----------------------|----------------------------------|
| 1781085 | MSTBT 2,5/12-ST-5,08 | COMBICON connection plug, 12-pin |
|---------|----------------------|----------------------------------|

Drawings

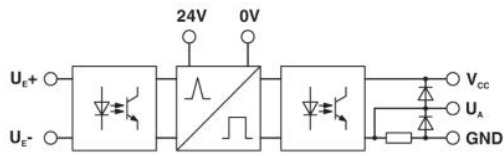
Diagram



Dimensioned drawing



Circuit diagram



Address

PHOENIX CONTACT Inc., USA
586 Fulling Mill Road
Middletown, PA 17057, USA
Phone (800) 888-7388
Fax (717) 944-1625
<http://www.phoenixcon.com>



© 2008 Phoenix Contact
Technical modifications reserved;