

## IC-DFR 3

Order No.: 1852037



<http://eshop.phoenixcontact.de/phoenix/treeViewClick.do?UID=1852037>

Feed-through assembly frame, for snapping in the IC 2.5/...-  
STGF-5.08 inverted COMBICON plug, for panel thicknesses from 0.5  
to 4.5 mm, color green, no. of positions: 3

Commercial data	
EAN	4017918108915
Pack	50 Pcs.
Customs tariff	39269097
Weight/Piece	0.001599 KG
Catalog page information	Page 250 (CC-2007)

#### Product notes

WEEE/RoHS-compliant since:  
01/01/2003



<http://www.download.phoenixcontact.com>  
Please note that the data given here has been taken from the online catalog. For comprehensive information and data, please refer to the user documentation. The General Terms and Conditions of Use apply to Internet downloads.

Technical data	
<b>Dimensions / positions</b>	
Pitch	5.08 mm
Dimension a	10.16 mm
Number of positions	3

**Technical data**

Insulating material group	I
Insulating material	PA
Inflammability class acc. to UL 94	V0

**Accessories**

Item	Designation	Description
0708263	DFK-MSTB-SS	Screw set, for securing the header to the housing wall, consists of M 3 x 10 screw, spring washer and nut, 10 pieces each

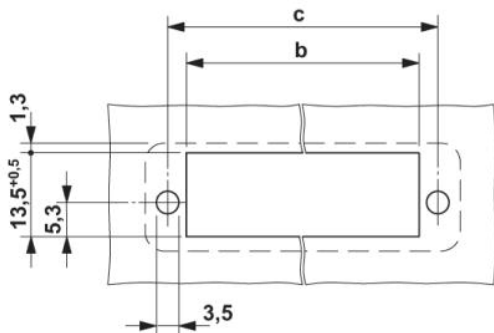
**Assembly**

Item	Designation	Description
1825501	IC 2,5/ 2-STGF-5,08	Plug component, nominal current: 12 A, rated voltage: 250 V, pitch: 5.08 mm, no. of positions: 2, type of connection: Screw connection

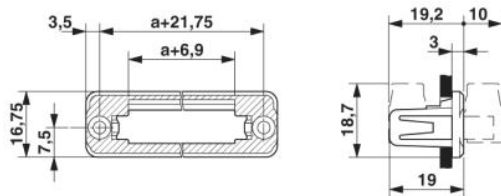
**General**

**Drawings**

Drilling diagram



Dimensioned drawing



**Address**

PHOENIX CONTACT GmbH & Co. KG  
Flachsmarktstr. 8  
32825 Blomberg, Germany  
Phone +49 5235 3 00  
Fax +49 5235 3 41200  
<http://www.phoenixcontact.de>



© 2008 Phoenix Contact  
Technical modifications reserved;