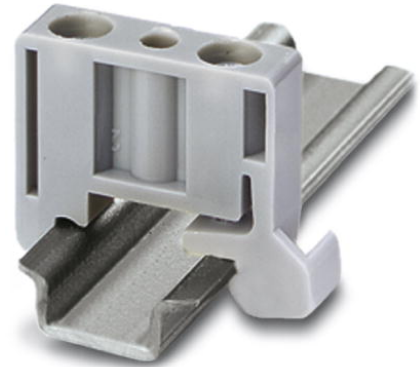


E/MK 1

Order No.: 1421659

<http://eshop.phoenixcontact.de/phoenix/treeViewClick.do?UID=1421659>

End bracket, width: 6 mm, color: gray

Commercial data

EAN	4017918021573
Pack	100 Pcs.
Customs tariff	39269097
Weight/Piece	0.00267 KG
Catalog page information	Page 508 (CL-2007)

Product notesWEEE/RoHS-compliant since:
01/01/2006

<http://www.download.phoenixcontact.com>
Please note that the data given here has been taken from the online catalog. For comprehensive information and data, please refer to the user documentation. The General Terms and Conditions of Use apply to Internet downloads.

Technical data**General**

Length	21.2 mm
Height	18 mm
Width	6.1 mm
Color	gray
Inflammability class acc. to UL 94	V2

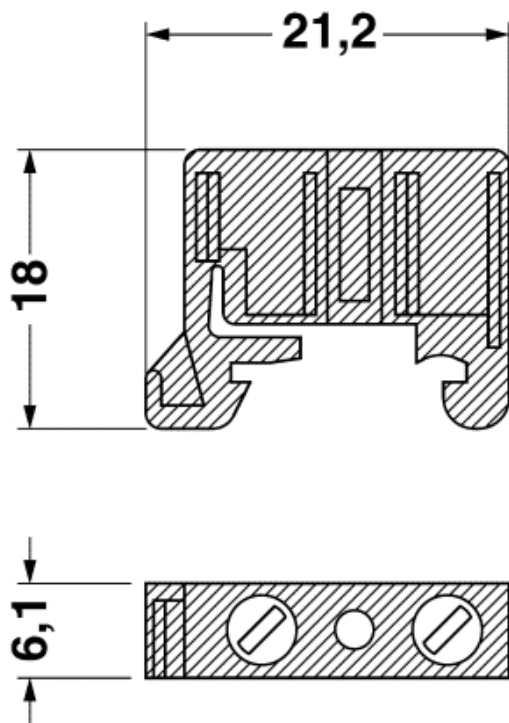
Material	PA
Temperature indices (RTI/TI)	125/100

Accessories

Item	Designation	Description
Assembly		
1401763	NS 15 AL PERF 2000MM	DIN rail, material: Aluminum, perforated, height 5.5 mm, width 15 mm, length: 2 m
1401682	NS 15 PERF 2000MM	DIN rail, material: steel, perforated, height 5.5 mm, width 15 mm, length: 2 m
1401695	NS 15 UNPERF 2000MM	DIN rail, material: Steel, unperforated, height 5.5 mm, width 15 mm, length: 2 m

Drawings

Dimensioned drawing



Address

PHOENIX CONTACT Inc., USA
586 Fulling Mill Road
Middletown, PA 17057, USA
Phone (800) 888-7388
Fax (717) 944-1625
<http://www.phoenixcon.com>



© 2008 Phoenix Contact
Technical modifications reserved;