

AB/NS

Order No.: 1201141

<http://eshop.phoenixcontact.de/phoenix/treeViewClick.do?UID=1201141>

Support, for insulated mounting of DIN rails in insulated systems,
plastic, 21 mm high

Commercial data

EAN	4017918017248
Pack	10 Pcs.
Customs tariff	85369010
Weight/Piece	0.01743 KG
Catalog page information	Page 338 (CL-2007)

Product notes

WEEE/RoHS-compliant since:
02/01/2006



<http://www.download.phoenixcontact.com>
Please note that the data given here has been taken from the online catalog. For comprehensive information and data, please refer to the user documentation. The General Terms and Conditions of Use apply to Internet downloads.

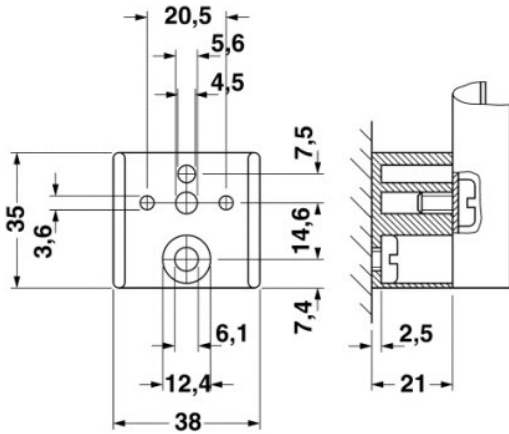
Technical data**General**

Length	35 mm
Height	21 mm
Width	38 mm
Color	gray
Inflammability class acc. to UL 94	V2

Material	PA
----------	----

Drawings

Dimensioned drawing



Address

PHOENIX CONTACT Inc., USA
586 Fulling Mill Road
Middletown, PA 17057, USA
Phone (800) 888-7388
Fax (717) 944-1625
<http://www.phoenixcon.com>



© 2008 Phoenix Contact
Technical modifications reserved;