

**BG/S**

Order No.: 1201086

<http://eshop.phoenixcontact.de/phoenix/treeViewClick.do?UID=1201086>

Angled brackets with M 6 screw, for fixing DIN rails at an angle of 30°,  
height: 35.4 mm

Commercial data	
EAN	4017918017200
Pack	10 Pcs.
Customs tariff	85369010
Weight/Piece	0.04289 KG
Catalog page information	Page 512 (CL-2007)

**Product notes**

WEEE/RoHS-compliant since:  
01/15/2005



<http://www.download.phoenixcontact.com>  
Please note that the data given here has been taken from the online catalog. For comprehensive information and data, please refer to the user documentation. The General Terms and Conditions of Use apply to Internet downloads.

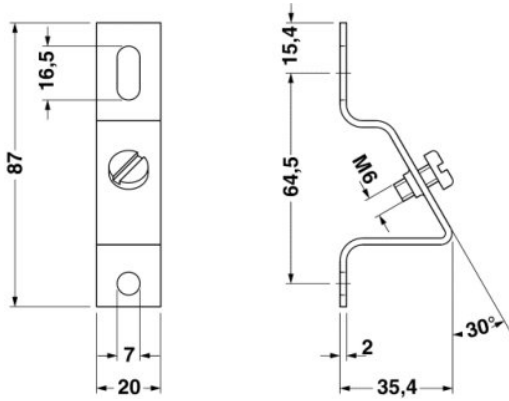
**Technical data**

General data	
Height	35.4 mm
Length	87 mm
Width	19.7 mm
Material	Steel
Color	silver

## Drawings

### Dimensioned drawing

---



**Address**

PHOENIX CONTACT Inc., USA  
586 Fulling Mill Road  
Middletown, PA 17057, USA  
Phone (800) 888-7388  
Fax (717) 944-1625  
<http://www.phoenixcon.com>



© 2008 Phoenix Contact  
Technical modifications reserved;