

# LCD Module Technical Specification

First Edition  
September 8, 2008

Final Revision  
\*\*\*\*\*

---

Type No. **T-55423GD050J-LW-A-AAN**

---

Customer :

Customer's Product No :

## OPTREX CORPORATION

Approved : *Minoru Akatsuka*  
*QUALITY ASSURANCE DIVISION*

---

Checked : *Noboru Wada*  
*Module Design G.*

---

Prepared : *Satoshi Sano*  
*Module Design G.*

---

**APPROVED**

By \_\_\_\_\_

Signature :

Date :

Please return this specification within two month with your signature.  
If not returned within two month ,specification will be considered  
as having been accepted.

# CONTENTS

No.	Item	Page
--	CONTENTS	2
1	APPLICATION	3
2	OVERVIEW	4
3	ABSOLUTE MAXIMUM RATINGS	5
4	ELECTRICAL CHARACTERISTICS	5
5	INTERFACE PIN CONNECTION	8
6	INTERFACE TIMING	10
7	BLOCK DIAGRAM	13
8	MECHANICAL SPECIFICATION	14
9	OPTICAL CHARACTERISTICS	18
10	RELIABILITY TEST CONDITION	21
11	INSPECTION STANDARDS	22
12	OTHER FEATURE	23
13	HANDLING PRECAUTIONS FOR TFT-LCD MODULE	24
--	PACKAGING SPECIFICATION	26
--	PRODUCTS NUMBER LABELING FORMS	28

# 1. APPLICATION

This specification applies to color TFT-LCD module, T-55423GD050J-LW-A-AAN.

These specification papers are the proprietary product of OPTREX and include materials protected under copyright of OPTREX. No part of this document may be reproduced in any form or by any means without the express written permission of OPTREX.

OPTREX does not assume any liability for infringement of patents, copyrights or other intellectual property rights of third parties by or arising from use of a product specified in this document. No license, express, implied or otherwise, is granted under any patents, copyrights or other intellectual property rights of OPTREX or of others.

OPTREX classifies the usage of the TFT-LCD module as follows. Please confirm the usage before using the product.

(1) Standard Usage

Computers, office equipment, factory automation equipment, test and measurement equipment, communications, transportation equipment(automobiles, ships, trains, etc.), provided, however, that operation is not influenced by TFT-LCD directly.

(2) Special Usage

Medical equipment, safety equipment, transportation equipment, provided, however, that TFT-LCD is necessary to its operation.

(3) Specific Usage

Cockpit Equipment, military systems, aerospace equipment, nuclear reactor control systems, life support systems and any other equipment. OPTREX should make a contract that stipulate apportionment of responsibilities between OPTREX and our customer.

The product specified in this document is designed for "Standard Usage" unless otherwise specified in this document. If customers intend to use the product for applications other than those specified for "Standard Usage", they should first contact OPTREX sales representative for it's intended use in writing.

OPTREX has been making continuous effort to improve the reliability of its products. Customers should implement sufficient reliability design of their application equipments such as redundant system design, fail-safe functions, anti-failure features.

OPTREX assumes no responsibility for any damage resulting from the use of the product that does not comply with the instructions and the precautions specified in this document.

Please contact and consult OPTREX sales representative for any questions regarding this product.

## 2. OVERVIEW

T-55423GD050J-LW-A-AAN is 5.0" color TFT-LCD (Thin Film Transistor Liquid Crystal Display) module composed of LCD panel, driver ICs, control circuit, backlight unit, and touch panel.

By applying 8 bit digital data, 800 × 480, 16.7M-color images are displayed on the 5.0" diagonal screen. Input power voltages are 3.3 V and 5.0 V for LCD driving.

The type of data and control signals are digital and transmitted via CMOS interface per Typ. 33.5 MHz clock cycle.

Driver circuit for LED backlight is not included in this module. General specifications are summarized in the following table:

ITEM	SPECIFICATION
Display Area (mm)	108.0(H) × 64.8(V) (5.0-inch diagonal)
Number of Dots	800 × 3 (H) × 480 (V)
Pixel Pitch (mm)	0.135(H) × 0.135 (V)
Color Pixel Arrangement	RGB vertical stripe
Display Mode	Normally black IPS
Number of Color	16.7M
Luminance (cd/m <sup>2</sup> )	250
Wide Viewing Angle Technology	IPS
Viewing Angle (CR ≥ 10)	-85~85° (H) -85~85° (V)
Surface Treatment (Touch panel)	Clear and hard-coating 3H
Electrical Interface	CMOS
Module Size (mm)	118.5(W) × 77.8(H) × 4.7(D) *)
Module Mass (g)	89
Backlight Unit	Edge-light, LED
Touch Panel	4-wire analog resistive

\*) Without FPC

Characteristic value without any note is typical value.

### 3. ABSOLUTE MAXIMUM RATINGS

ITEM	SYMBOL	MIN.	MAX.	UNIT
Power Supply Voltage for LCD 1	VCC	-0.3	5.0	V
Power Supply Voltage for LCD 2	AVDD	-0.3	5.5	V
Logic Input Voltage	VI	-0.3	5.0	V
Backlight (LED) Current	IF	--	30	mA
Touch Panel Voltage	TPV	--	7.0	V
Operation Temperature (Touch Panel) <small>Note 1,2)</small>	$T_{op(TouchPanel)}$	-20	60	°C
Operation Temperature (Ambient) <small>Note 2)</small>	$T_{op(Ambient)}$	-20	60	°C
Storage Temperature <small>Note 2)</small>	$T_{stg}$	-30	80	°C

[Notel

1) Measured at the center of active area and at the center of panel back surface

2)  $T_{op}, T_{stg} \leq 40^{\circ}C$  : 90%RH max. without condensation

$T_{op}, T_{stg} > 40^{\circ}C$  : Absolute humidity shall be less than the value of 90%RH at  $40^{\circ}C$  without condensation.

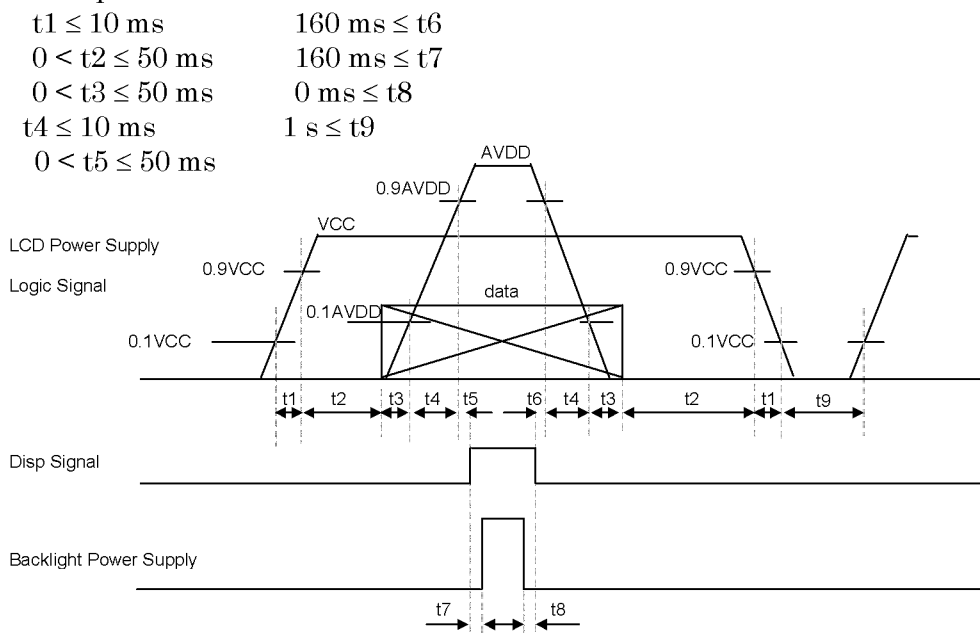
### 4. ELECTRICAL CHARACTERISTICS

(1) TFT- LCD

Ambient temperature:  $T_a = 25^{\circ}C$

ITEM	SYMBOL	MIN.	TYP.	MAX.	UNIT	Remarks
Power Supply Voltage for LCD 1	VCC	3.0	3.3	3.6	V	*1)
Power Supply Voltage for LCD 2	AVDD	4.8	5.0	5.2	V	*1)
Power Supply Current for LCD 1	ICC	--	7.4	17.0	mA	*2)
Power Supply Current for LCD 2	AIDD	--	38.0	62.0	mA	*2)
Permissive Input Ripple Voltage	VRP	--	--	100	mVp-p	VCC = +3.3V AVDD = +5.0V
Logic Input Voltage	High	V <sub>IH</sub>	0.7VCC	--	VCC	V
	Low	V <sub>IL</sub>	0	--	0.3VCC	V

\*1) Power and signals sequence:



data: RGB DATA, DCLK, DENA, SC

T-55423GD050J-LW-A-AAN (AA)	OPTREX CORPORATION	Page 5/28
-----------------------------	--------------------	-----------

\*2) VCC = + 3.3 V, AVDD=+5.0V, f<sub>H</sub>=31.5kHz, f<sub>V</sub>=60Hz, f<sub>CLK</sub>= 33.5MHz

Display image at typical power supply current value is 256-gray-bar pattern (8 bit), 480 line mode.

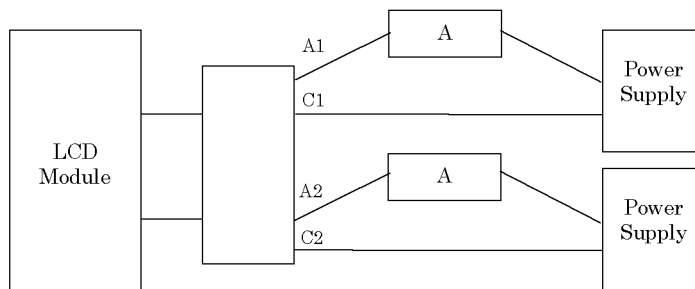
(2) Backlight

ITEM	SYMBOL	MIN.	TYP.	MAX.	UNIT	Remarks
LED Voltage	VF	(21.0)	--	23.1	V	IF = 20 mA, Ta = 25°C
		--	--	23.8	V	IF = 20 mA, Ta = 0°C
		--	--		V	IF = 20 mA, Ta = -20°C
LED Current	IF	--	15.0	20.0	mA	*1), *2)

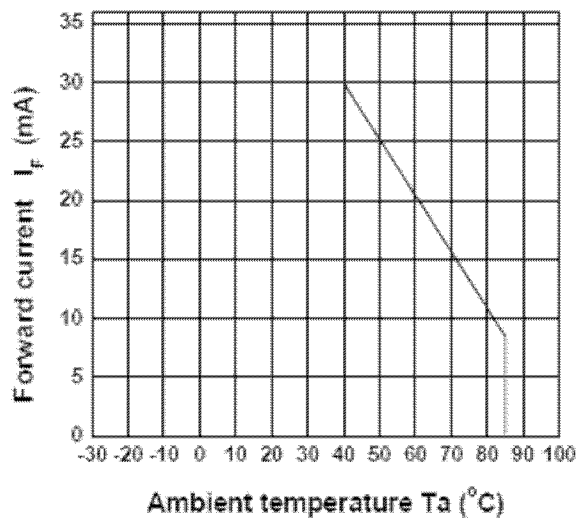
[Note]

\*1) Constant Current Drive

\*2) LED Current measurement method



Diode IF-Ta CHARACTERISTICS DIAGRAM



(3) Touch Panel

Electrical Characteristics

ITEM	MIN.	TYP.	MAX.	UNIT	Remarks
Linearity	-1.5	--	1.5	%	Analog X and Y directions
Terminal Resistance	490	--	1144	$\Omega$	X
	225	--	526	$\Omega$	Y
Insulation Resistance	20	--	--	M $\Omega$	DC 25 V
Voltage	3.0	5.0	7.0	V	DC
Chattering	--	--	10	ms	
Transparency	--	80	--	%	JIS K 7105, ASTM D 1003

\*) Do not operate it with a thing except a polyacetal pen (tip R0.8 mm or more) or a finger, especially those with hard or sharp tips such as a ball point pen or a mechanical pencil.

## 5. INTERFACE PIN CONNECTION

T-55423GD050J-LW-A-AAN (AA)	OPTREX CORPORATION	Page 7/28
-----------------------------	--------------------	-----------

## (1) FPC1 (Interface Signal)

Pin No.	Symbol	Function
1	GND	
2	GND	
3	VCC	3.3 V Power Supply
4	VCC	3.3 V Power Supply
5	R0	Red data signal(LSB)
6	R1	Red data signal
7	R2	Red data signal
8	R3	Red data signal
9	R4	Red data signal
10	R5	Red data signal
11	R6	Red data signal
12	R7	Red data signal(MSB)
13	G0	Green data signal(LSB)
14	G1	Green data signal
15	G2	Green data signal
16	G3	Green data signal
17	G4	Green data signal
18	G5	Green data signal
19	G6	Green data signal
20	G7	Green data signal(MSB)
21	B0	Blue data signal(LSB)
22	B1	Blue data signal
23	B2	Blue data signal
24	B3	Blue data signal
25	B4	Blue data signal
26	B5	Blue data signal
27	B6	Blue data signal
28	B7	Blue data signal(MSB)
29	GND	
30	DCLK	Clock signal for sampling catch data signal
31	DISP	Display on/off (High: on, Low: off)
32	HD	Horizontal sync signal
33	VD	Vertical sync signal
34	DENA	Data enable signal (to settle the viewing area)
35	AVDD	5.0 V Analog Power Supply
36	AVDD	5.0 V Analog Power Supply
37	NC	This pin should be open.
38	NC	This pin should be open.
39	SC	Scan direction control (Low= Reverse, High= Normal)
40	GND	
41	GND	
42	LED_C1	LED cathode 1
43	LED_A1	LED anode 1
44	LED_C2	LED cathode 2
45	LED_A2	LED anode 2

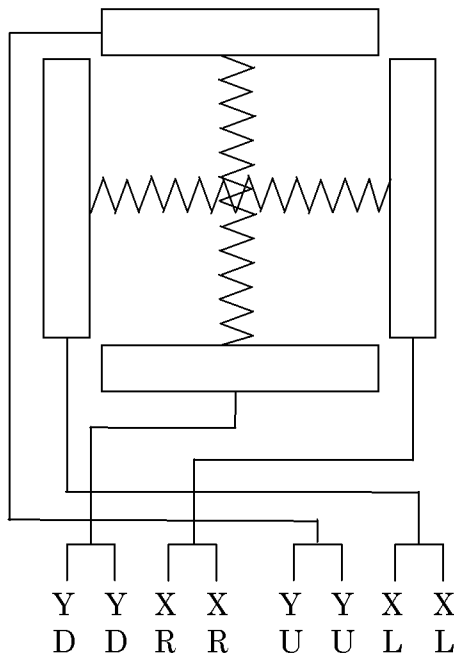
\*) Metal frame is connected to signal GND.



(2) FPC 2 (Touch Panel Interface)

Pin No.	Symbol
1	XL
2	XL
3	YU
4	YU
5	XR
6	XR
7	YD
8	YD

(3) Touch Panel



Top View

X: Upper electrode

Y: Lower electrode

## 6. INTERFACE TIMING

### (1) Timing Specifications

ITEM		SYMBOL	MIN.	TYP.	MAX.	UNIT
DCLK	Frequency	f <sub>CLK</sub>	--	33.5	45	MHz
	Period	t <sub>CLK</sub>	22.2	29.9	--	ns
	Low Width	t <sub>WCL</sub>	40%	--	--	t <sub>CLK</sub>
	High Width	t <sub>WCH</sub>	40%	--	--	t <sub>CLK</sub>
DATA(R,G,B), DENA	Set up time	t <sub>DS</sub>	4	--	--	ns
	Hold time	t <sub>DH</sub>	2	--	--	ns
DENA	Horizontal Active Time	t <sub>HA</sub>	800	800	800	t <sub>CLK</sub>
	Horizontal Blank Time	t <sub>HB</sub>	164	256	348	t <sub>CLK</sub>
	Horizontal Front Porch	t <sub>HFP</sub>	48	167	343	t <sub>CLK</sub>
	Horizontal Back Porch	t <sub>HBP</sub>	5	89	116	t <sub>CLK</sub>
	Vertical Active Time	t <sub>VA</sub>	480	480	480	t <sub>H</sub>
	Vertical Blank Time	t <sub>VB</sub>	35	45	55	t <sub>H</sub>
	Vertical Front Porch	t <sub>VFP</sub>	2	12	22	t <sub>H</sub>
	Vertical Back Porch	t <sub>VBP</sub>	33	33	33	t <sub>H</sub>
HD	Frequency	f <sub>H</sub>	--	31.5	35	kHz
	Period	t <sub>H</sub>	28.6	31.7	--	μs
	Low Width	t <sub>WHL</sub>	1	--	--	t <sub>CLK</sub>
	Set up time	T <sub>hst</sub>	6	--	--	ns
	Hold time	T <sub>hhd</sub>	6	--	--	ns
VD	Frequency	f <sub>V</sub>	55	60	68	Hz
	Period	t <sub>V</sub>	14.7	16.7	18.2	ms
	Low Width	t <sub>WVL</sub>	1	--	--	t <sub>H</sub>
	Set up time	T <sub>vst</sub>	6	--	--	ns
	Hold time	T <sub>vhd</sub>	6	--	--	ns

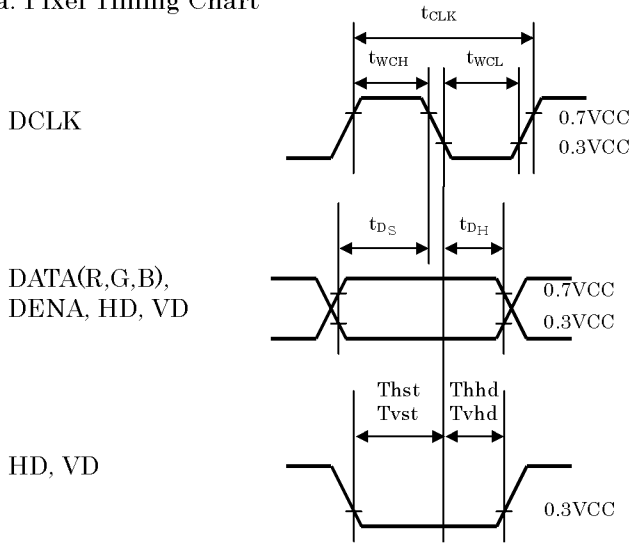
[Note]

- 1) DATA is latched at fall edge of DCLK in this specification.
- 2) Polarities of HD and VD are negative in this specification.
- 3) DENA (Data Enable) should always be positive polarity as shown in the timing specification.
- 4) DCLK should appear during all invalid period, and HD should appear during invalid period of frame cycle.
- 5) Please satisfy following condition.

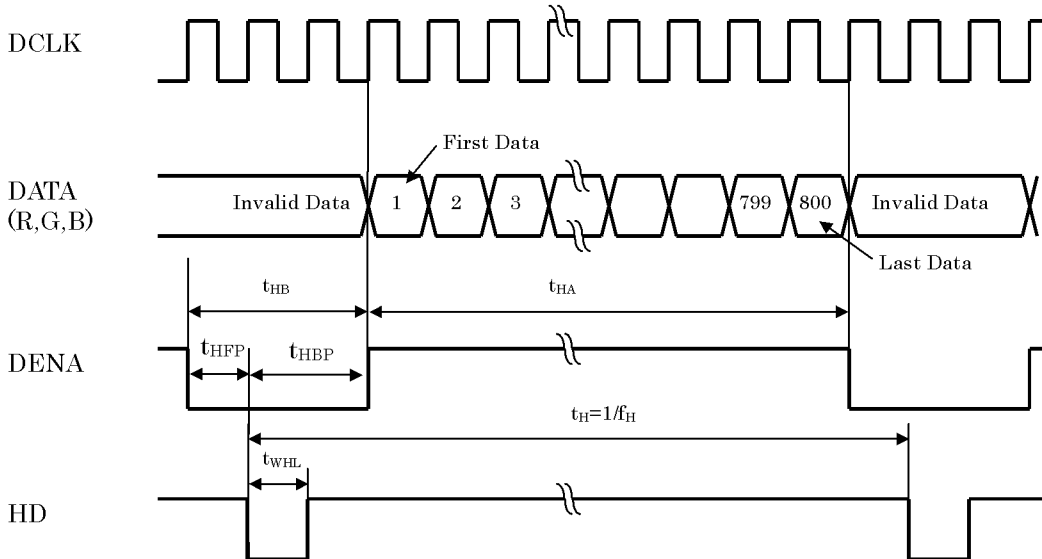
$$t_{VBn} = t_{VBn-1}$$

(2) Timing Chart

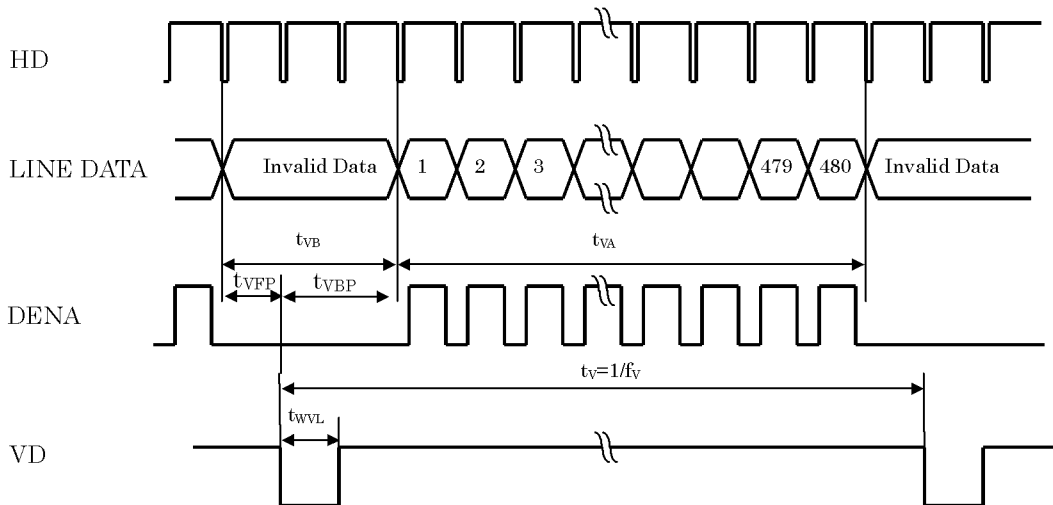
a. Pixel Timing Chart



b. Horizontal Timing Chart



c. Vertical Timing Chart



(3) Color Data Assignment

COLOR		INPUT DATA																							
		R DATA								G DATA								B DATA							
		R7	R6	R5	R4	R3	R2	R1	R0	G7	G6	G5	G4	G3	G2	G1	G0	B7	B6	B5	B4	B3	B2	B1	B0
		MSB							LSB	MSB							LSB	MSB							LSB
BASIC COLOR	BLACK	0	0	0	0	0	0	0	0	0	0	0	0	0	0	0	0	0	0	0	0	0	0	0	0
	RED(255)	1	1	1	1	1	1	1	1	0	0	0	0	0	0	0	0	0	0	0	0	0	0	0	0
	GREEN(255)	0	0	0	0	0	0	0	0	1	1	1	1	1	1	1	1	0	0	0	0	0	0	0	0
	BLUE(255)	0	0	0	0	0	0	0	0	0	0	0	0	0	0	0	0	1	1	1	1	1	1	1	1
	CYAN	0	0	0	0	0	0	0	0	1	1	1	1	1	1	1	1	1	1	1	1	1	1	1	1
	MAGENTA	1	1	1	1	1	1	1	1	0	0	0	0	0	0	0	0	1	1	1	1	1	1	1	1
	YELLOW	1	1	1	1	1	1	1	1	1	1	1	1	1	1	1	1	0	0	0	0	0	0	0	0
	WHITE	1	1	1	1	1	1	1	1	1	1	1	1	1	1	1	1	1	1	1	1	1	1	1	1
RED	RED(1)	0	0	0	0	0	0	0	1	0	0	0	0	0	0	0	0	0	0	0	0	0	0	0	0
	RED(2)	0	0	0	0	0	0	1	0	0	0	0	0	0	0	0	0	0	0	0	0	0	0	0	0
	RED(255)	1	1	1	1	1	1	1	1	0	0	0	0	0	0	0	0	0	0	0	0	0	0	0	0
GREEN	GREEN(1)	0	0	0	0	0	0	0	0	0	0	0	0	0	0	0	1	0	0	0	0	0	0	0	0
	GREEN(2)	0	0	0	0	0	0	0	0	0	0	0	0	0	0	1	0	0	0	0	0	0	0	0	0
	GREEN(255)	0	0	0	0	0	0	0	0	1	1	1	1	1	1	1	1	0	0	0	0	0	0	0	0
BLUE	BLUE(1)	0	0	0	0	0	0	0	0	0	0	0	0	0	0	0	0	0	0	0	0	0	0	0	1
	BLUE(2)	0	0	0	0	0	0	0	0	0	0	0	0	0	0	0	0	0	0	0	0	0	0	1	0
	BLUE(255)	0	0	0	0	0	0	0	0	0	0	0	0	0	0	0	0	1	1	1	1	1	1	1	1

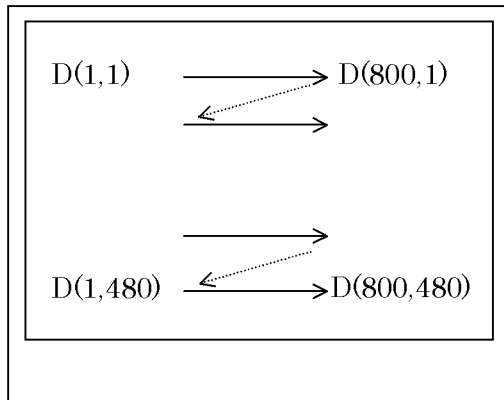
[Note]

- 1) Definition of gray scale  
 Color (n) ---n indicates gray scale level.  
 Higher n means brighter level.
- 2) Data  
 1:High, 0: Low

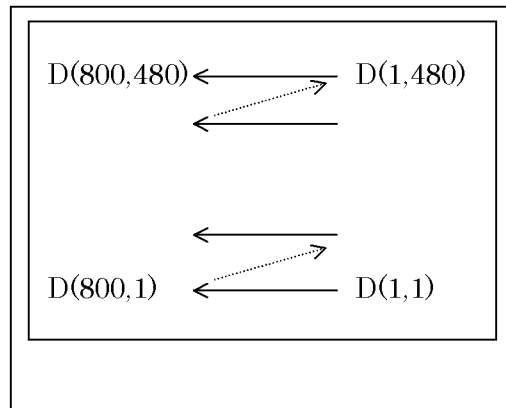
(4) Display Position and Scan Direction

D(X,Y) shows the data number of input signal for LCD panel signal processing PCB.

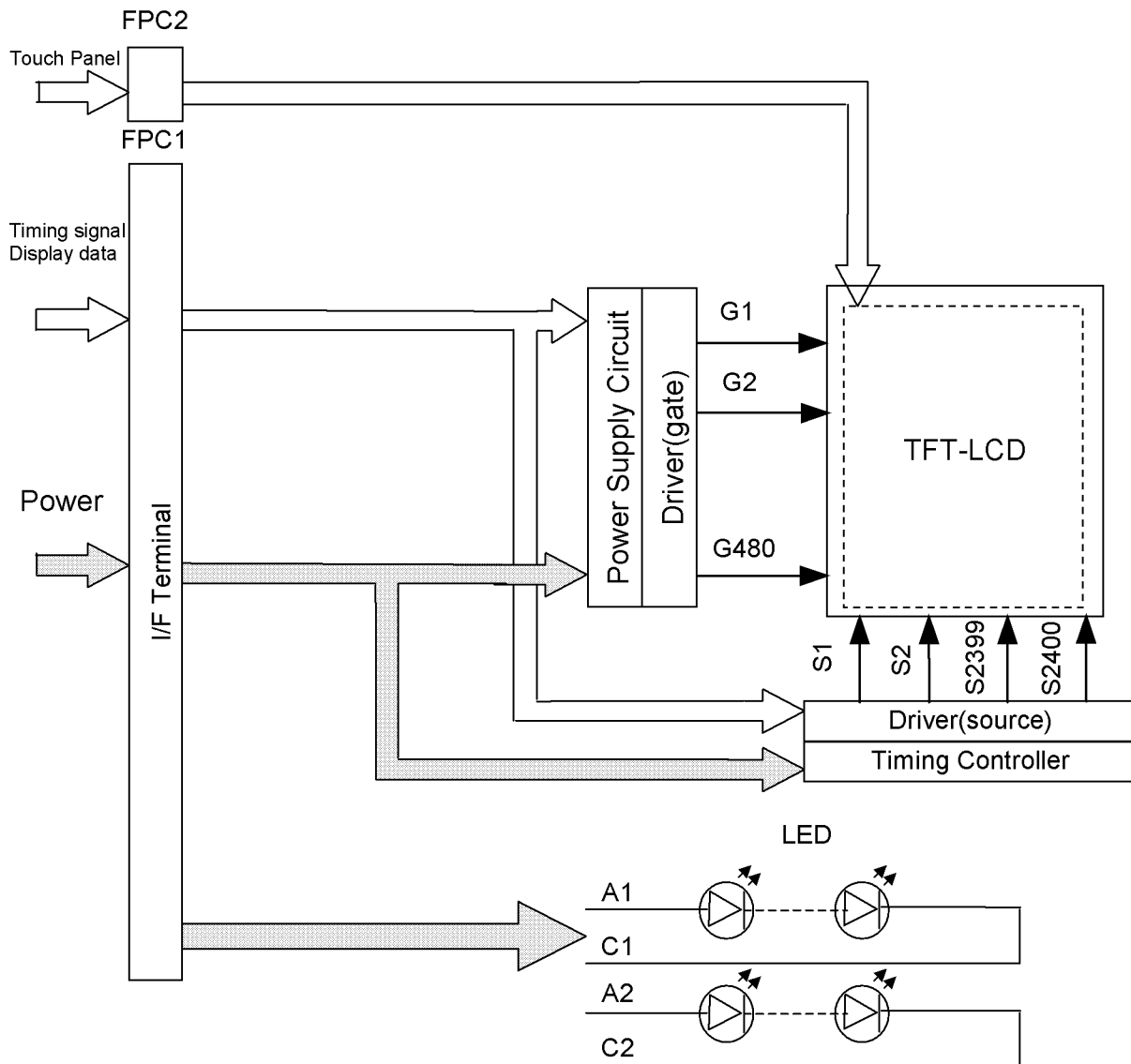
SC: High



SC: Low

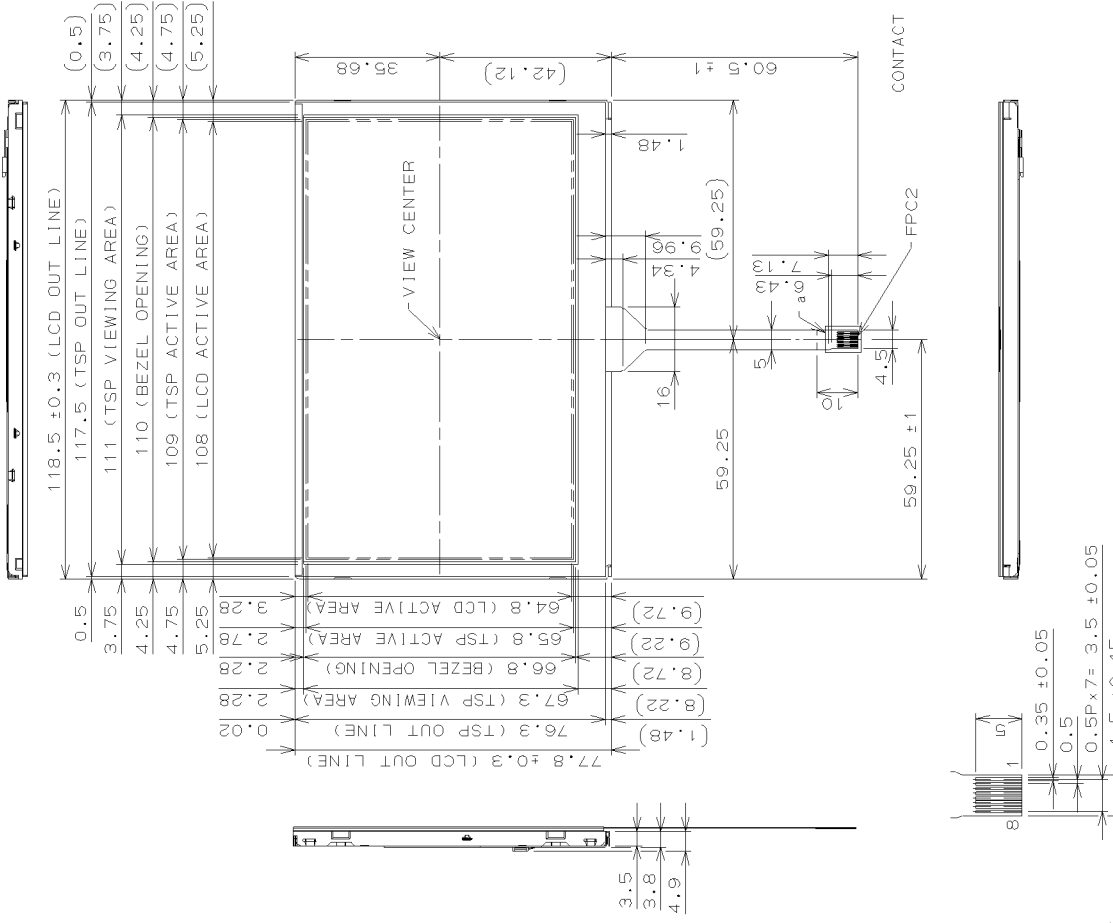
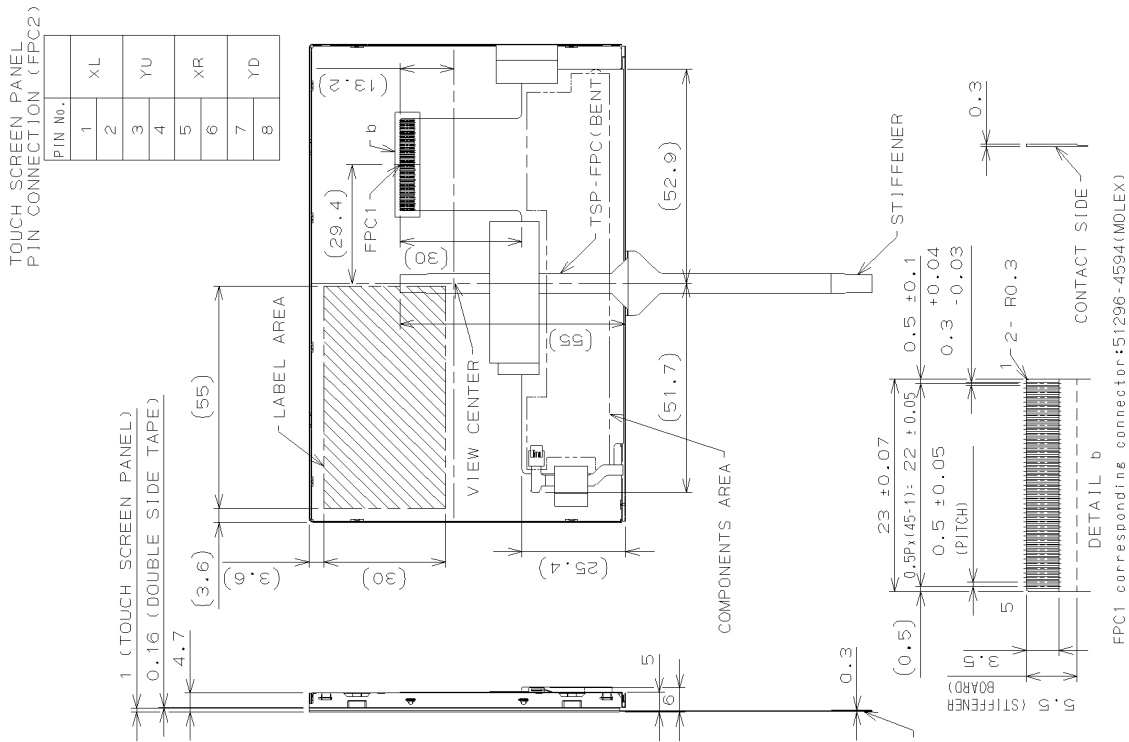


7. BLOCK DIAGRAM



# 8. MECHANICAL SPECIFICATIONS

## (1) Outline Dimensions



1) Tolerance is  $\pm 0.5$ mm unless noted.  
2) Third angle projection

FPC2 corresponding connector: FH195C-8S-0.5SH(05)(HIROSE)

(Unit:mm)

(2) Touch Panel

a. Mechanical & Reliability Characteristics

ITEM	MIN.	TYP.	MAX.	UNIT	Remarks	
Activation Force	0.05	--	0.8	N	*1)	
Durability	Surface Scratching	Write 100,000	--	--	characters	*2)
	Surface Pitting	10,000,000	--	--	touches	*3)
Surface Hardness	3	--	--	H	JIS K5400, ASTM D3363	

\*1) Stylus pen Input: R4.0 mm silicon pen

\*2) Measurement for Surface area

-Input size 10 × 10 mm

-Input Character A to Z /minute

-Force: 2.45 N

-Stylus: R0.8 mm polyacetal tip

\*3) Pit 10,000,000 hits on the Film with a R4.0 mm silicon pen

-Force: 3 N

-Speed: 2 hits/sec

b. Design Guide

- Avoid the design that Front-case overlap and press on the active area of the touch-panel.
- Give enough gap (over 0.5 mm at compressed) between the front case and touch-panel to protect wrong operating.
- Use a buffer material (Gasket) between the touch-panel and Front-case to protect damage and wrong operating.
- Avoid the design that buffer material overlap and press on the inside of touch-panel viewing area.
- The flexible tail section should be designed to avoid stress from the front case and/or avoid any bending stress to root of flexible tail section.
- Please avoid any strong forces, such as pen input in the area between display area and insulated area (distance: >2mm), because it may cause damage to the film.

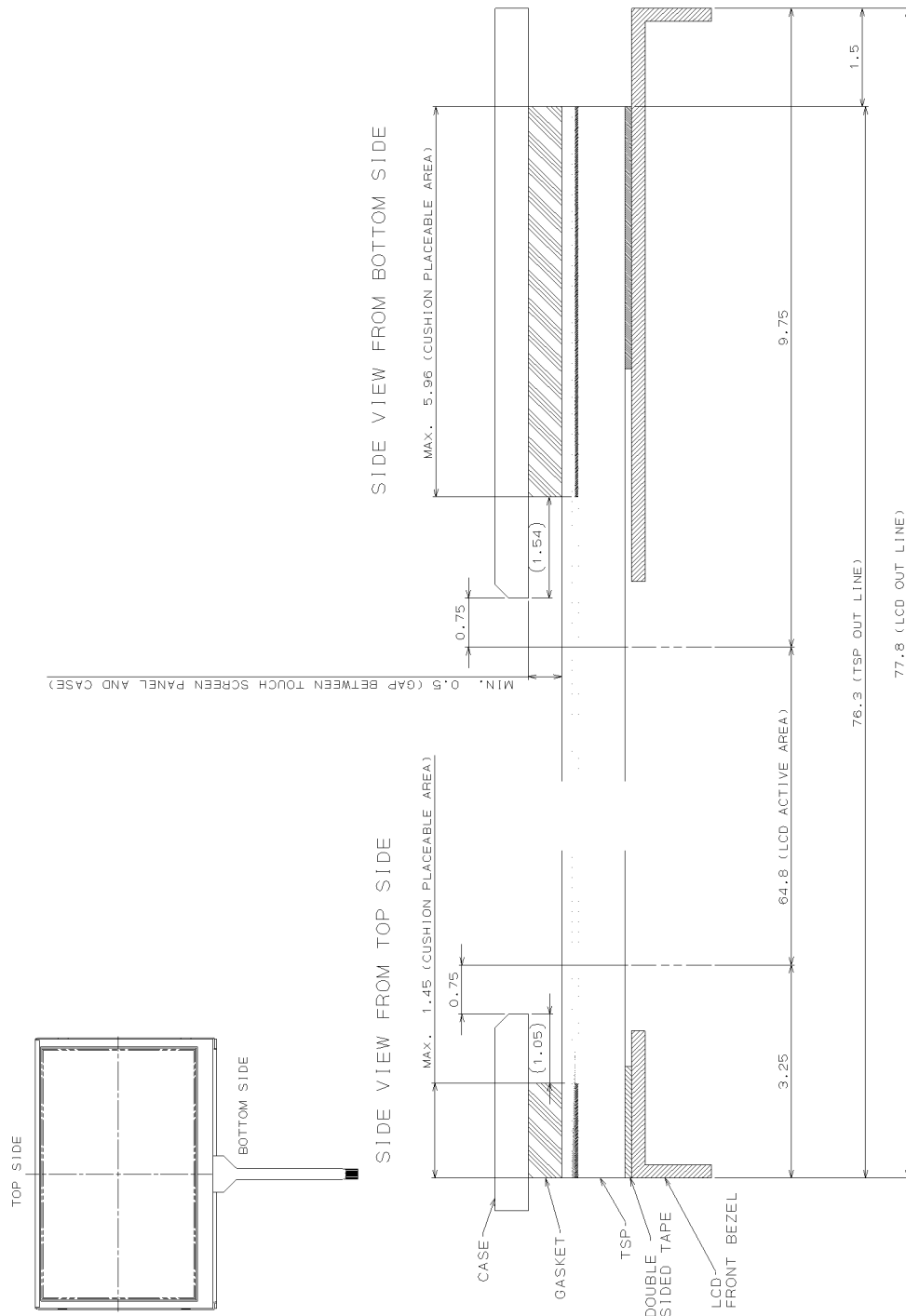
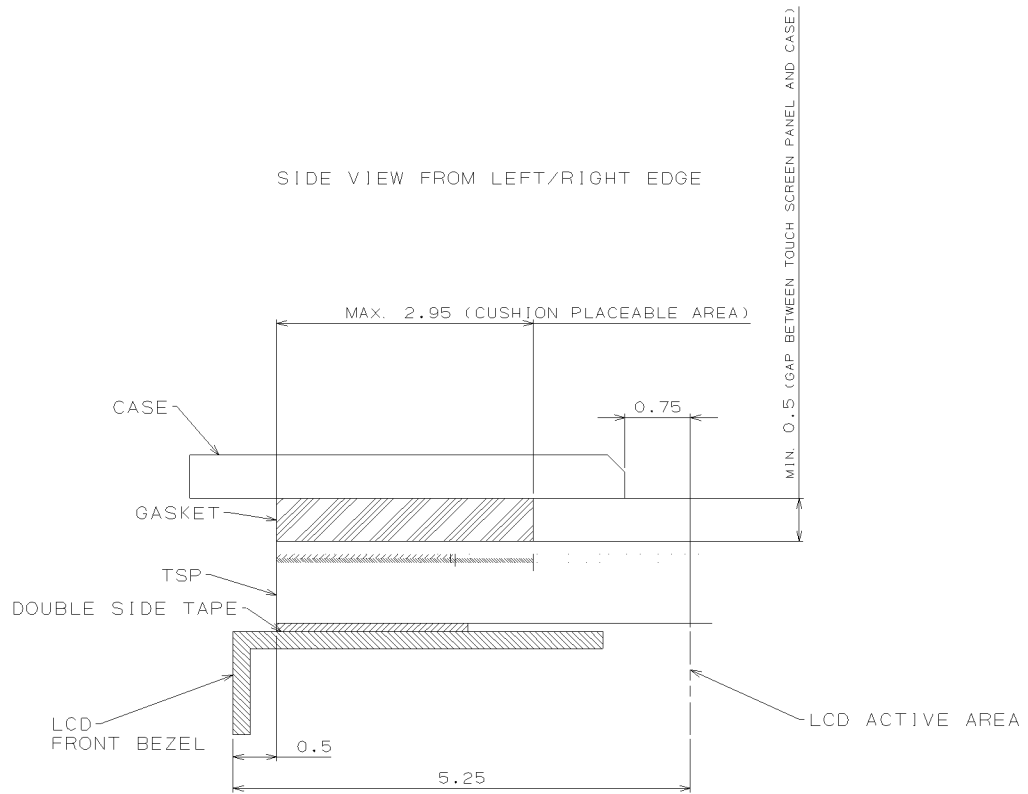


FIG. 1





**FIG.2**

# 9. OPTICAL CHARACTERISTICS

Ta=25°C, VCC=3.3 V, AVDD=5.0V, Input Signals: Typ. Values shown in Section 6

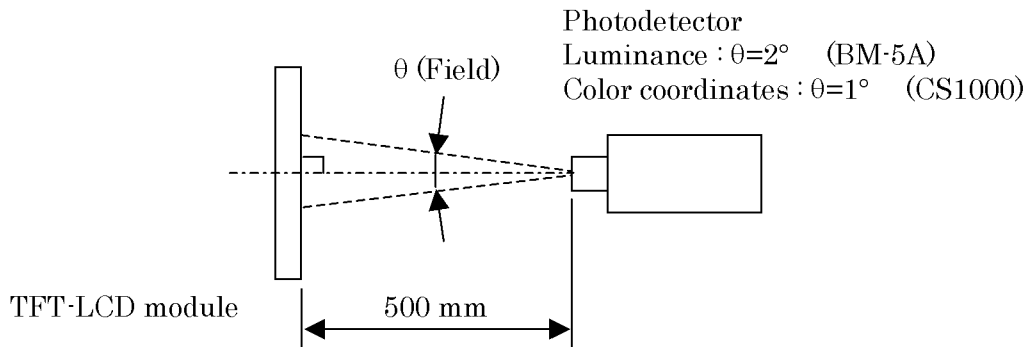
ITEM		SYMBOL	CONDITION	MIN.	TYP.	MAX.	UNIT	Remarks
Contrast Ratio		CR	$\theta_V=0^\circ, \theta_H=0^\circ$	390	600	--	--	*1)*2)*5)
Luminance		Lw	$\theta_V=0^\circ, \theta_H=0^\circ$	200	250	--	cd/m <sup>2</sup>	*1)*5)
Luminance Uniformity		$\Delta Lw$	$\theta_V=0^\circ, \theta_H=0^\circ$	--	--	20	%	*1)*3)*5)
Response Time		tr	$\theta_V=0^\circ, \theta_H=0^\circ$	--	25	--	ms	*1)*4)*5)
		tf	$\theta_V=0^\circ, \theta_H=0^\circ$	--	25	--	ms	*1)*4)*5)
Viewing Angle	Horizontal	$\theta_H$	CR $\geq$ 10	-70~70	-85~85	--	°	*1)*5)
	Vertical	$\theta_V$		-70~70	-85~85	--	°	*1)*5)
Image Sticking		tis	2 h	--	--	2	s	*6)
Color Coordinates	Red	Rx	$\theta_V=0^\circ, \theta_H=0^\circ$	0.537	0.587	0.637	--	*1)*5)
		Ry		0.312	0.362	0.412		
	Green	Gx		0.292	0.342	0.392		
		Gy		0.532	0.582	0.632		
	Blue	Bx		0.103	0.153	0.203		
		By		0.077	0.127	0.177		
White	Wx	0.266	0.316	0.366				
	Wy	0.294	0.344	0.394				

[Note]

These items are measured using CS1000(MINOLTA) for color coordinates, EZContrast(ELDIM) for viewing angle and CS1000 or BM-5A(TOPCON) for others under the dark room condition (no ambient light) after more than 30 minutes from turning on the backlight unless noted.

Condition: IF=20 mA(A1), 20 mA(A2)

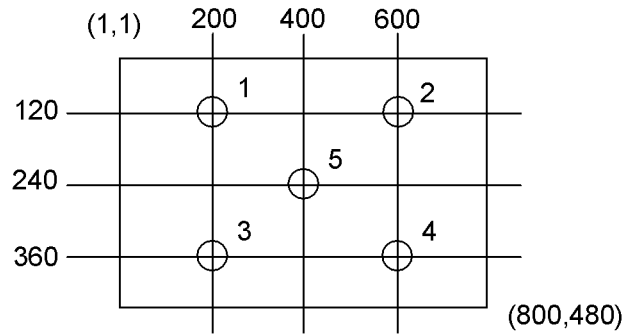
Measurement method for luminance and color coordinates is as follows.



The luminance is measured according to FLAT PANEL DISPLAY MEASUREMENTS STANDARD (VESA Standard).

\*1) Measurement Point

Contrast Ratio, Luminance, Response Time, Viewing Angle, Color Coordinates: Display Center  
 Luminance Uniformity: point 1~5 shown in a figure below



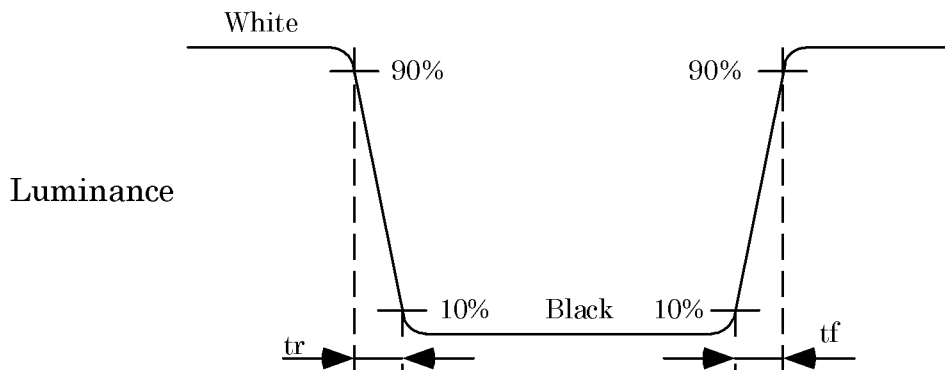
\*2) Definition of Contrast Ratio

$CR = \text{Luminance with all white pixels} / \text{Luminance with all black pixels}$

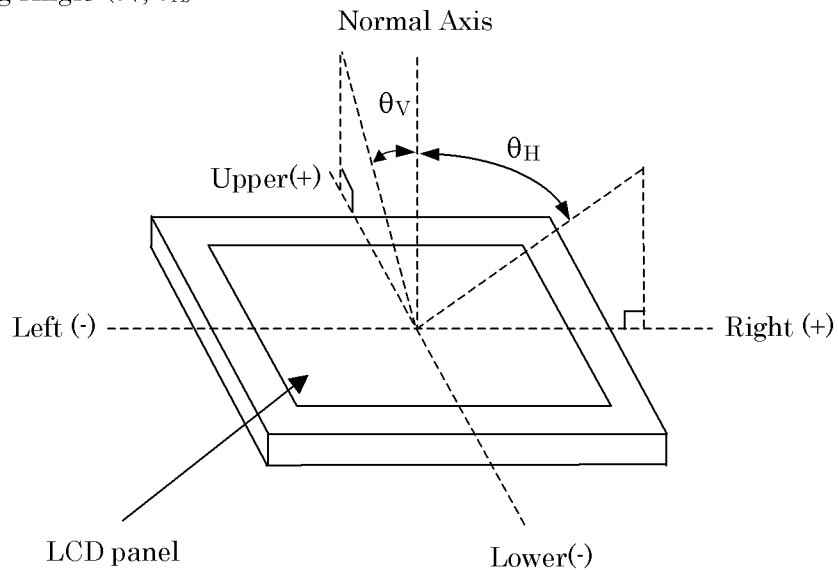
\*3) Definition of Luminance Uniformity

$\Delta Lw = [Lw(\text{MAX}) / Lw(\text{MIN}) - 1] \times 100$

\*4) Definition of Response Time

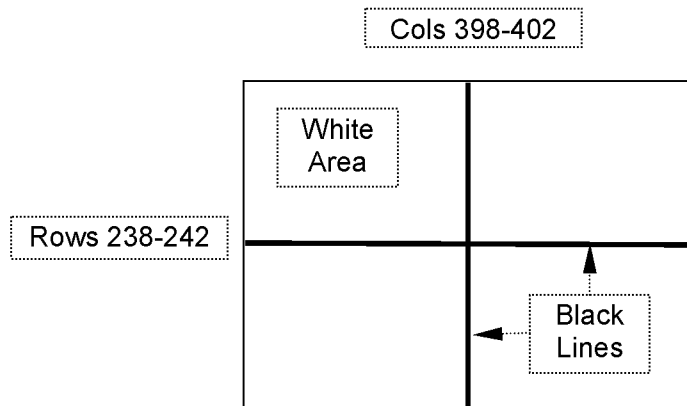


\*5) Definition of Viewing Angle ( $\theta_v, \theta_H$ )



\*6) Image Sticking

Continuously display the test pattern shown in the figure below for two-hours. Then display a completely white screen. The previous image shall not persist more than two seconds at 25°C.



TEST PATTERN FOR IMAGE STICKING TEST

## 10. RELIABILITY TEST CONDITION

### (1) Temperature and Humidity

ITEM	CONDITIONS
HIGH TEMPERATURE HIGH HUMIDITY OPERATION	40°C, 90%RH, 240 h (No condensation)
HIGH TEMPERATURE OPERATION	60°C, 240 h
LOW TEMPERATURE OPERATION	-20°C, 240 h
HIGH TEMPERATURE STORAGE	80°C, 240 h
LOW TEMPERATURE STORAGE	-30°C, 240 h
THERMAL SHOCK (NON-OPERATION)	BETWEEN -30°C (1h) and 80°C(1h), 100 CYCLES

### (2) Shock & Vibration

ITEM	CONDITIONS
SHOCK (NON-OPERATION)	Shock level: 1470m/s <sup>2</sup> (150G) Waveform: half sinusoidal wave, 2ms Number of shocks: one shock input in each direction of three mutually perpendicular axis for a total of six shock inputs
VIBRATION (NON-OPERATION)	Vibration level: 9.8m/s <sup>2</sup> (1.0G) Waveform: sinusoidal Frequency range: 5 to 500Hz Frequency sweep rate: 0.5 octave /min Duration: one sweep from 5 to 500 Hz in each of three mutually perpendicular axis(total 3 hours)

### (3) Judgment standard

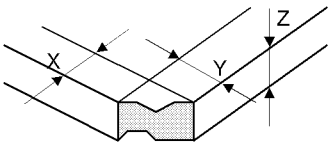
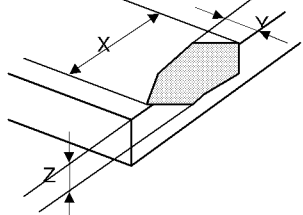
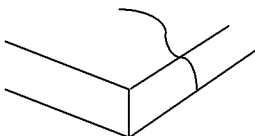
The judgment of the above tests should be made as follow:

Pass: Normal display image, no damage of the display function. (ex. no line defect)

Partial transformation of the module parts should be ignored.

Fail: No display image, damage of the display function. (ex. line defect)

Tip and crack of touch panel (t = glass thickness) (applicable only for the glass)

ITEM	SIZE (mm)		ACCEPTABLE NUMBERS	
CORNER		X	$\leq 2$	2 PCS /PANEL
		Y	$\leq 2$	
		Z	$\leq t$	
SIDE		X	$\leq 5$	2 PCS /SIDE
		Y	$\leq 1$	
		Z	$\leq t$	
CRACK			0 PCS (ACCEPTABLE)	

Newton ring  
Acceptable

## 12. OTHER FEATURE

This LCD module complies with RoHS\*) directive.

\*) RoHS: Restriction of the use of certain hazardous substances in electrical and electronic equipment

## 13. HANDLING PRECAUTIONS FOR TFT-LCD MODULE

Please pay attention to the followings in handling TFT-LCD products:

### (1) ASSEMBLY PRECAUTION

- a. Please do not bend or wrench the LCD module in assembling. Please do not drop, bend or twist the LCD module in handling.
- b. Please design display housing in accordance with the following guide lines.
  - (a) Housing case must be designed carefully so as not to put stresses on LCD and not to wrench module.
  - (b) Under high temperature environment, performance and life time of LED may heavily shorten. When you design with our LCD product, please consider radiating heat and ventilation for good heat management.
  - (c) Keep sufficient clearance between LCD module back surface and housing when the LCD module is mounted. Approximately 1.0mm of the clearance in the design is recommended taking into account the tolerance of LCD module thickness and mounting structure height on the housing.
  - (d) When some parts, such as, FPC cable and ferrite plate, are installed underneath the LCD module, still sufficient clearance is required, such as 0.5mm. This clearance is, especially, to be reconsidered when the additional parts are implemented for EMI countermeasure.
  - (e) Design the LED driver location and connector position carefully so as not to give stress to LED backlight cable and flexible tail.
  - (f) Keep sufficient clearance between LCD module and the others parts, such as inverter and speaker so as not to interfere the LCD module. Approximately 1.0 mm of the clearance in the design is recommended.
  - (g) To avoid local elevation/decrease of temperature, considering location of heating element, heat release, thermal design should be done.
- c. Please do not push or scratch touch panel surface with anything hard. And do not soil LCD panel surface by touching with bare hands.
- d. Please wipe off touch panel surface with absorbent cotton or soft cloth in case of it being soiled.
- e. Touch panel glass edge is not rounded. Please take care in handling to avoid injury.
- f. Please do not take a LCD module to pieces and reconstruct it. Resolving and reconstructing modules may cause them not to work well.
- g. Please do not touch metal frames with bare hands and soiled gloves. A color change of the metal frames can happen during a long preservation of soiled LCD modules.
- h. Please handle metal frame carefully because edge of metal frame is very sharp.
- i. Please connect the metal frame of LCD module to GND in order to minimize the effect of external noise and EMI.
- j. Be sure to connect the cables and the connectors correctly.

**(2) OPERATING PRECAUTIONS**

- a. Please be sure to turn off the power supply before connecting and disconnecting signal input cable.
- b. Please do not change variable resistance settings in LCD module. They are adjusted to the most suitable value. If they are changed, it might happen LCD does not satisfy the characteristics specification.
- c. The interface signal speed is very high. Please pay attention to transmission line design and other high speed signal precautions to satisfy signal specification.
- d. A condensation might happen on the surface and inside of LCD module in case of sudden change of ambient temperature. Do not use touch panel when there is condensation. It could cause touch panel failure.
- e. Please pay attention not to display the same pattern for very long time. Image might stick on LCD. Even if image sticking happens, it may disappear as the operation time proceeds.
- f. Please obey the same safe instructions as ones being prepared for ordinary electronic products.

**(3) PRECAUTIONS WITH ELECTROSTATICS**

- a. This LCD module use CMOS-IC on circuit board and TFT-LCD panel, and so it is easy to be affected by electrostatics. Please be careful with electrostatics by the way of your body connecting to the ground and so on.
- b. Please remove protection film very slowly from the surface of touch panel to prevent from electrostatics occurrence.

**(4) STORAGE PRECAUTIONS**

LCD should be stored in the room temperature environment with normal humidity. The LCD inventory should be processed by first-in first-out method.

**(5) SAFETY PRECAUTIONS**

- a. When you waste damaged or unnecessary LCDs, it is recommended to crush LCDs into pieces and wash them off with solvents such as acetone and ethanol, which should later be burned.
- b. If any liquid leaks out of a damaged glass cell and comes in contact with the hands, wash off thoroughly with soap and water.
- c. Be sure to turn off the power supply when inserting or disconnecting the LED backlight cable.
- d. LED driver should be designed carefully to limit or stop its function when over current is detected on the LED.

**(6) OTHERS**

- a. A strong incident light into LCD panel may cause deterioration to touch panel, polarizer film, color filter, and other materials, which will degrade the quality of display characteristics. Please do not expose LCD module under strong Ultraviolet rays for a long time.
- b. For the packaging box handling, please see and obey with the packaging specification datasheet.

T-55423GD050J-LW-A-AAN (AA)	OPTREX CORPORATION	Page 25/28
-----------------------------	--------------------	------------



# PACKAGING SPECIFICATION

## PACKAGING BOX

material: Box: cardboard, Tray: polystyrene, Protector: polyethylene,  
Plastic cardboard: polypropylene  
construction: See Fig.1  
max. packaging number: 120 pcs.  
dimension: 488 (W) × 395 (D) × 361 (H)[mm] (Tolerance is ±15mm)  
mass(including 120 modules): 15 kg  
label: Labels are put on the box.(See Fig. 2.3.4)

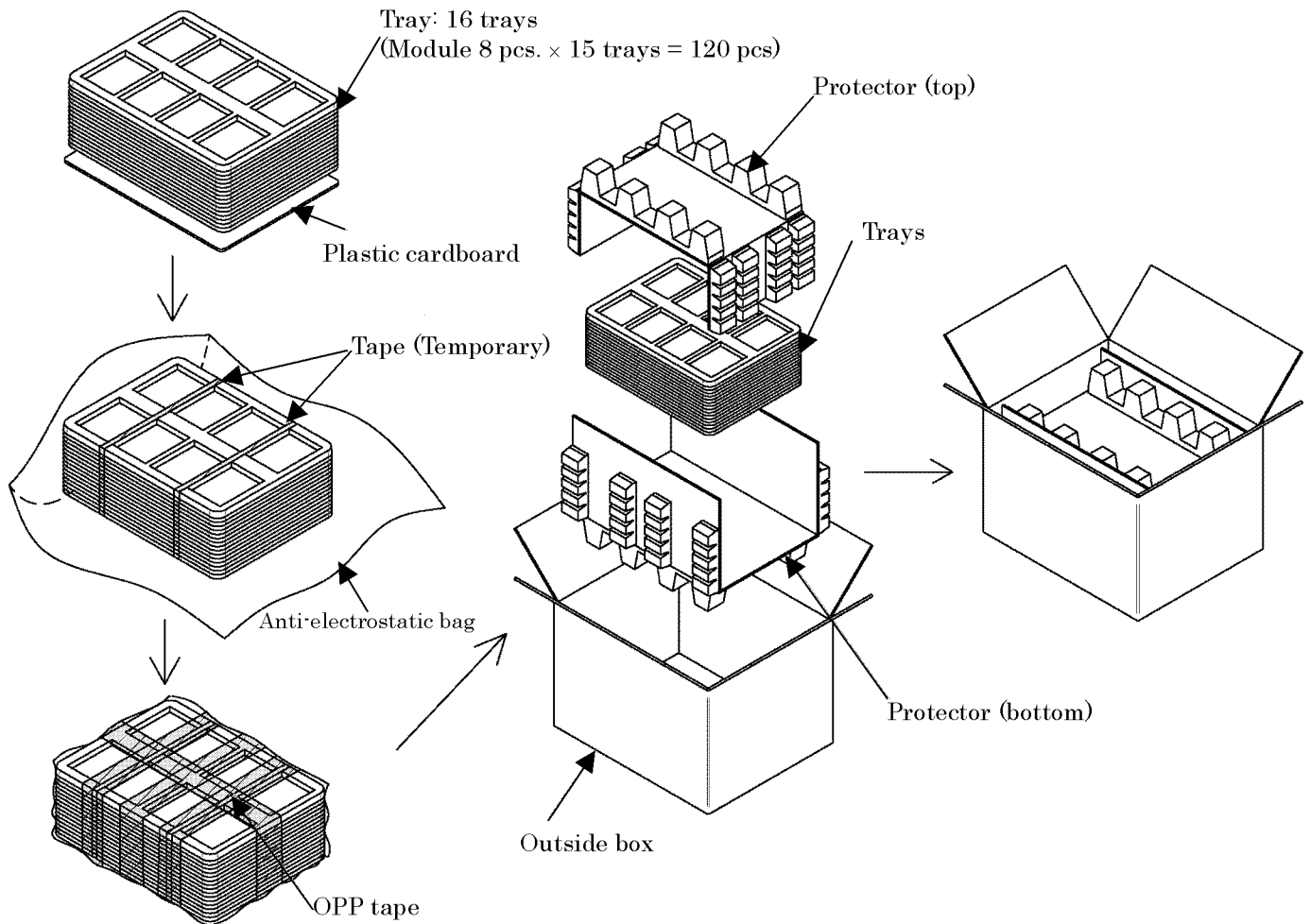


Fig.1: Illustration of packaging box structure

Consignee
Product name of consignee
Product name
Order No.
Box No.
Place of production
Bar-code
Shipping date

Fig.2: Label 1



OPTREX
TFT-LCD: T-55423GD050J-LW-A-AAN
AA050MC01--T1
P / O NO. 123456789
C / S 001 OF 005
MADE IN JAPAN
 001
2001/11/15
JA1BK4144


Fig.3: Sample of Label 1

**LOCATION OF LABEL ON THE PACKAGING BOX**

Labels are put on the box.(See. Fig.4)

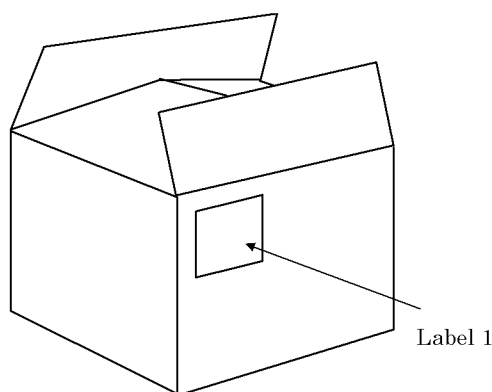


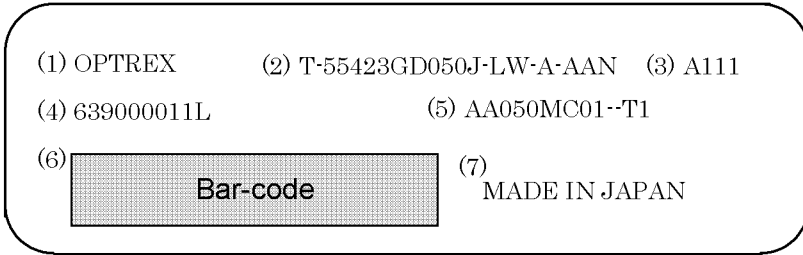
Fig.4: Location of Label

**CAUTIONS OF SHIPPING & STORAGE**

- (1) Do not turn the packaging upside down while storage and transportation. The boxes should not be piled up more than 8.
- (2) Packaging box and inner case for LCDs are made of cardboard. So please pay attention not to get them wet. (Such like keeping them in high humidity or wet place can occur getting them wet.)
- (3) Keep off from direct sunlight exposure. Please store under room temperature & low humidity in original packaging condition when they were shipped.
- (4) Packaging box and inner case for LCD are designed to protect the LCDs from the damage or scratching during transportation. Please do not open except picking LCDs up from the box.
- (5) Please handle packaging box with care not to give them sudden shock and vibrations. And also please do not throw them up.
- (6) Keep other cautions described in handling manual.

# PRODUCTS NUMBER LABELING FORMS

Products number label is constructed as below:



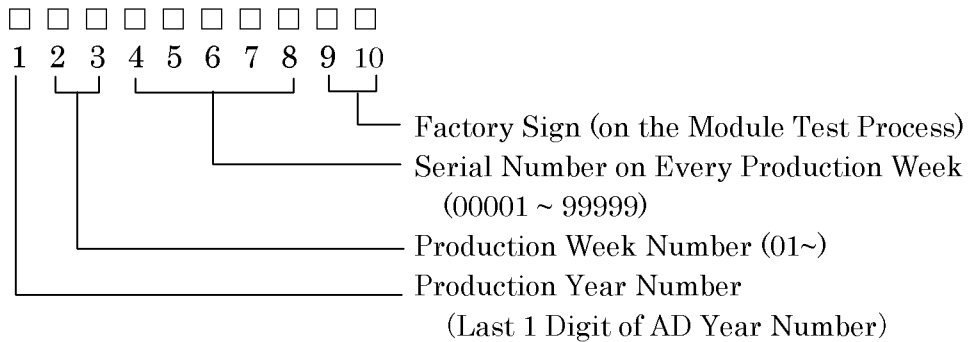
Example of Products Number Label

(1) Brand Name

(2) Products Name of Optrex

(3) Production Key Number  
(ID Number for Production Control)

(4) Date Code (Serial Number, Factory Sign)



(5) Products Name

(6) Bar-code (Date Code)  
Bar-code Line for computer reading Date Code mentioned as above.

(7) Production Country