

## Series Part Numbers

Connector Code	Description	P / N
-XX-AM	SMA Plug	L324AM-434
AH	SMA Plug Reverse Polarity	L324AH-434

### Electrical Properties:

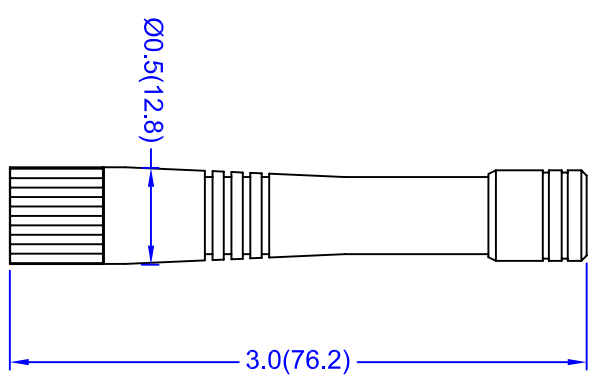
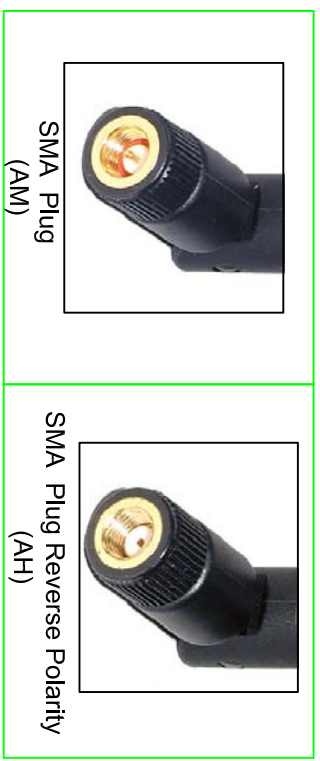
**Frequency Range:** 433~435 MHz  
**Impedance:** 50-ohm nominal  
**VSWR:** <2.0:1  
**Gain:** 0 dBi  
**Radiation:** Omni  
**Polarization:** Vertical  
**Wave:** 1/4 wave

### Mechanical Properties:

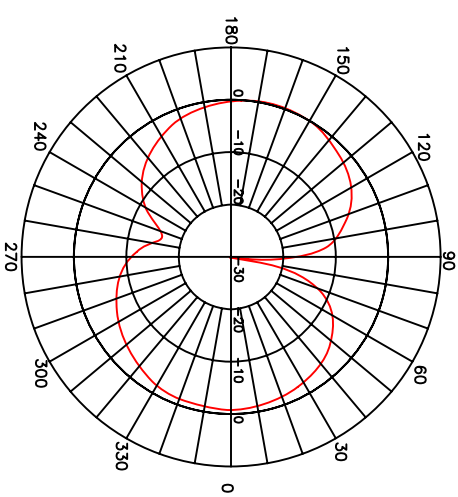
**Connector:** SMA type  
**Material:** Polyurethane(Black)  
**Whip:** Brass with black chrome plating  
**Connector:** chrome plating  
**Operation Temp.:** -20°C to +65°C  
**Storage Temp.:** -30°C to +75°C

This is a RoHS compliant product.

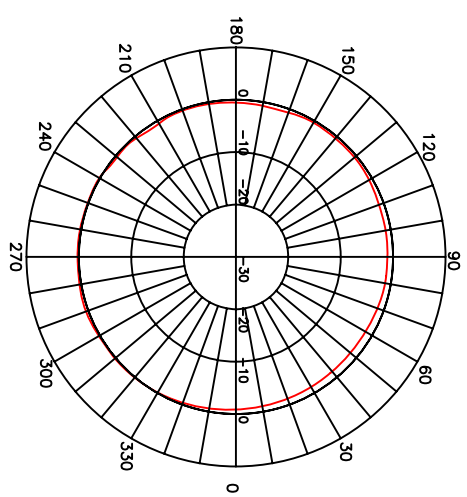
## Connector Interface



E-Plane Pattern @ 434 MHz



H-Plane Pattern @ 434 MHz



TITLE	UHF Band Straight Antenna - 324 Model		Rev. Date	SHEET
UNIT	DWG. NO.	L324XX - 434	04/29/06	1 of 1
in.(mm)				
SCALE				
none				

# NEARSON