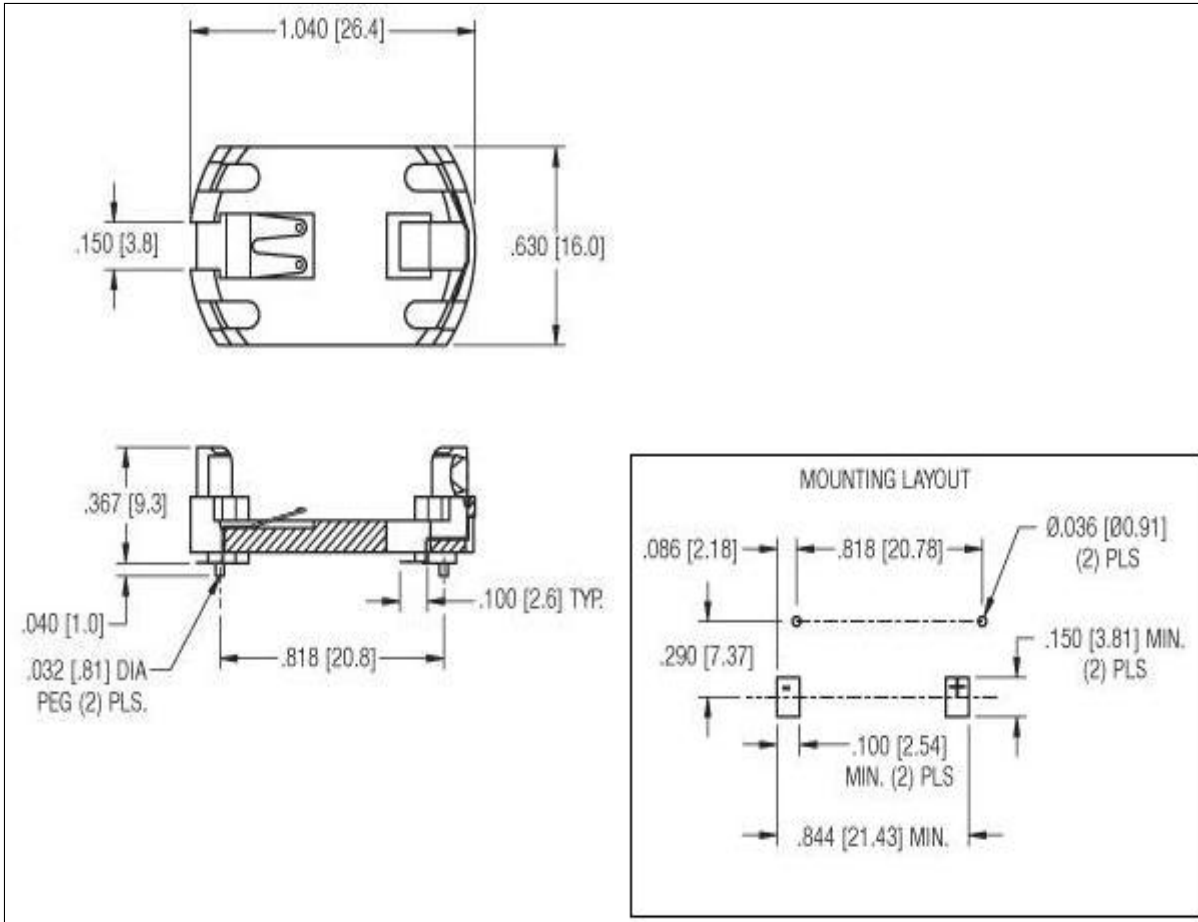


ISO 9001 Certified Manufacturer



Low Profile - 24mm Lithium Coin Cell Battery Holder

Surface Mount Holder



Cat. No.	Mounting Style	Plating
1054	Surface Mount	Gold Flash
1054TR	Surface Mount	Gold Flash

Specifications

Polarized to assure proper continuity and circuit protection

1054TR Holders are supplied on Tape & Reel

Positive & Negative Contacts:

.008" (0.20mm) Phosphor Bronze

Base Material: Glass Filled LCP, UL rated 94V-0

Temp. Range: -60°F to +293°F (-50°C to +145°C)

***Tape and Reel Specs:** 44mm wide; 24mm pitch; 13" reel (450 pieces per reel) All conductive polystyrene carrier tape meets ANSI/EIA - 481 standard

Battery Cross Reference:

CR2450 cell; Duracell, Eveready, Panasonic, Sony, Toshiba, Varta, Ray-O-Vac, Sanyo, Seiko

[Click to Request Samples](#)

