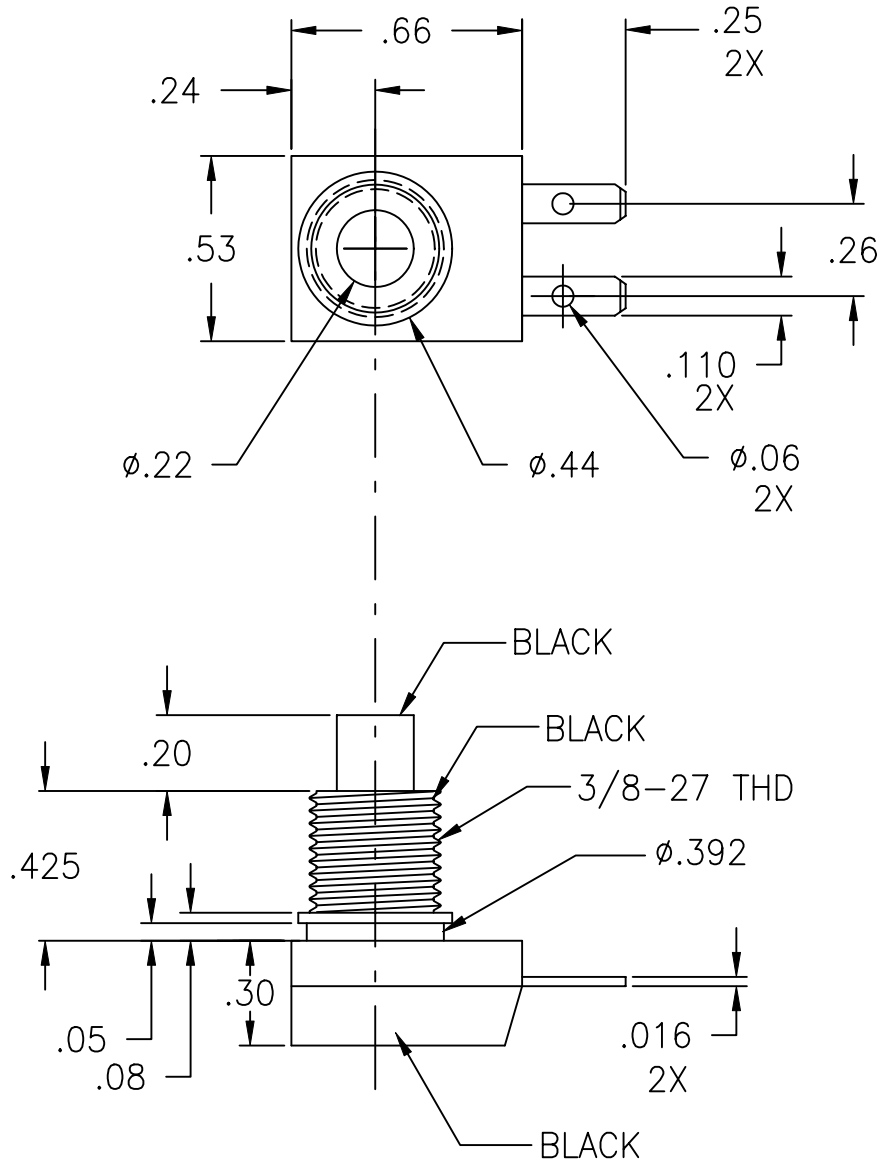


LTR	EN	DESCRIPTION	APPR	BY	DATE
A	-	INITIAL RELEASE	MT	DC	06-22-09



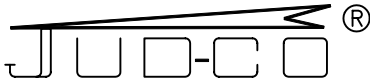
JUDCO INVENTORY NO. 40-2947-00
 SWITCH TYPE: PUSH ON-PUSH OFF, SPST
 UL ELECTRICAL RATING: 14VDC, 10A
 UL TEMPERATURE RATING: 55°C
 NUT NOT APPLICABLE

CUSTOMER:

CUSTOMER P/N:

APPROVED BY: _____

DATE: _____

DIMENSIONS IN INCHES DIMENSIONS ARE REFERENCE	 HARBOR CITY CALIFORNIA	
	TITLE OUTLINE	
DRAWN: DC 06-22-09	J-188A-1 ULDC W/STR TRMS	
APPR: KJ 06-22-09	DWG. NO. 1415-1497	
ENG'G: IS 06-22-09	SHEET	
1415U1497A.DWG	1 OF 1	