

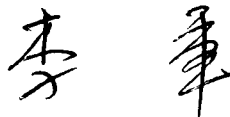
Address:
 BLOCK 1, DEHUINA INDUSTRIAL DISTRICT,
 MINGZHI RD LONGHUA, SHENZHEN,
 GUANGDONG, CHINA 518131

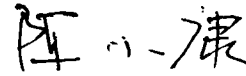
TEL: (86) 755-8192552 8190943
 FAX: (86) 755-8192557
 E-mail: szwwiner@public.szptt.net.cn
 HOME PAGE://www.globalsources.com/hornmic.co

CUSTOMER: Digi-Key Corporation

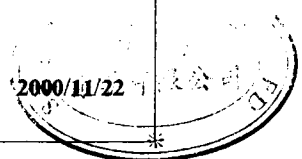
APPROVE SHEET

PRODUCT NAME	TYPE	DIMENSION	
Electret Condenser Microphone	EM9752U-51	Ø9.7×5.2(mm)	

APPROVED :  DATE: 2000.11.25

CHECKED BY:  DATE: 2000.11.25

ISSUED BY: 陳為波 DATE: 2000/11/22



APPROVED BY

DATE:

Address:
BLOCK 1, DEHUINA INDUSTRIAL DISTRICT,
MINGZHI RD LONGHUA, SHENZHEN,
GUANGDONG, CHINA 518131

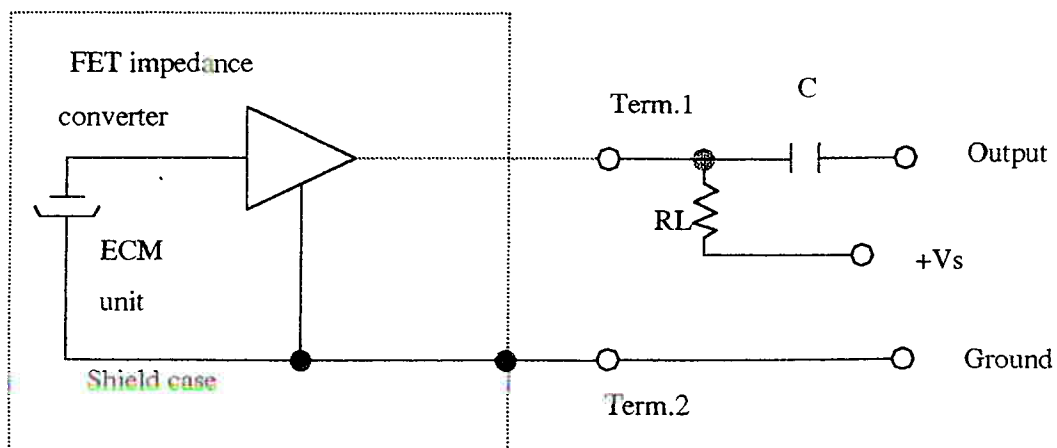
TEL: (86) 755-8192552 8190943
FAX: (86) 755-8192557
E-mail: szwwiner@public.szptt.net.cn
HOME PAGE://www.globalsources.com/hornmic.co

SPECIFICATION

Item	Symbol	Test conditions	Min	Standard	Max	Unit
Sensitivity	S	f=1KHz. Pin=1pa	-54	-51	-47	dB 0dB=1V/pa
Directivity	Unidirectional					
Impedance	Zout				680	Ω
Current consumption	I	f=1KHz. Pin=1pa			500	uA
Sensitivity reduction	ΔS	f=1KHz. Pin=1pa. Vs=1.5→1V			-3	dB
S/N ratio	S/N(A)	f=1KHz. Pin=1pa. A=curve	60			dB

Measurement Circuit (Test Condition Vs=1.5V RL=680Ω)

Ta=20°C R.H=65%)

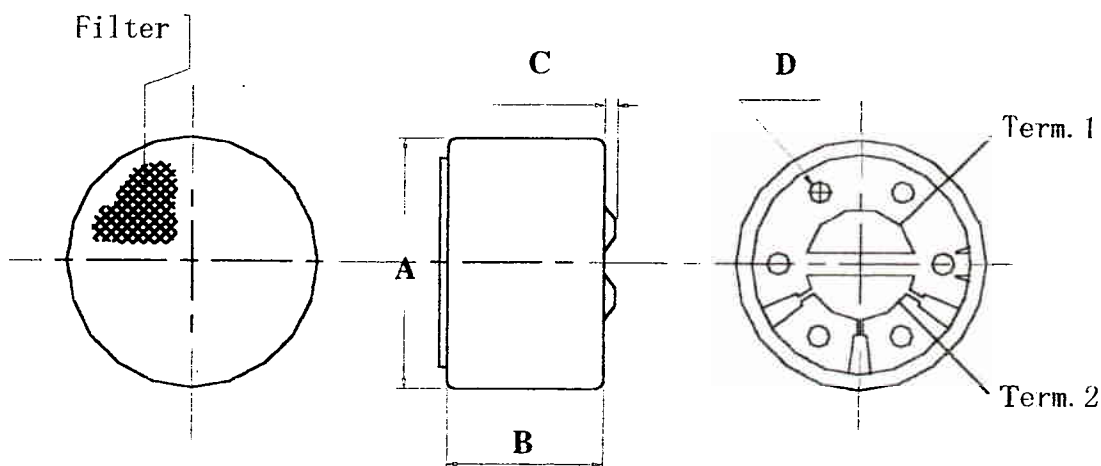


Address:
BLOCK 1, DEHUINA INDUSTRIAL DISTRICT,
MINGZHI RD LONGHUA, SHENZHEN,
GUANGDONG, CHINA 518131

TEL: (86) 755-8192552 8190943
FAX: (86) 755-8192557
E-mail: szwwiner@public.szptt.net.cn
HOME PAGE://www.globalsources.com/hornmic.co

Dimensional Drawing

unit: mm



PART	MIN	TYPE	MAX	REMARK
A	Ø9.6	Ø9.7	Ø9.8	
B	5.0	5.2	5.4	
C	-	-	0.7	
D	Ø0.8	-	Ø1.2	

Typical Frequency Response Curve

