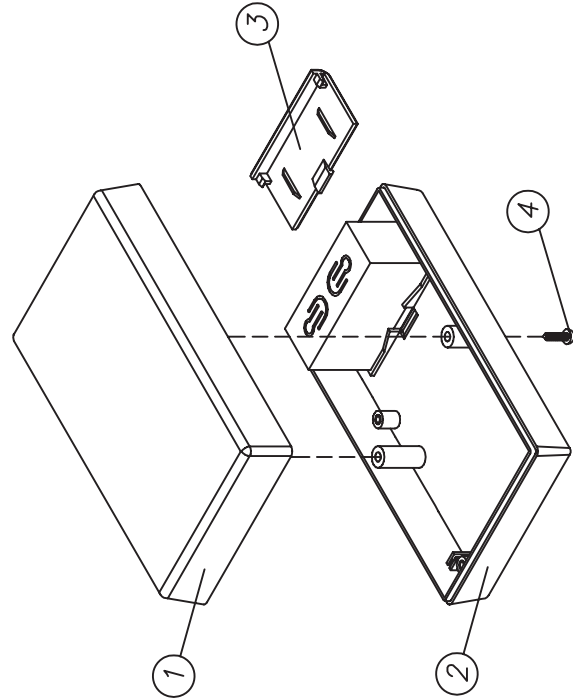
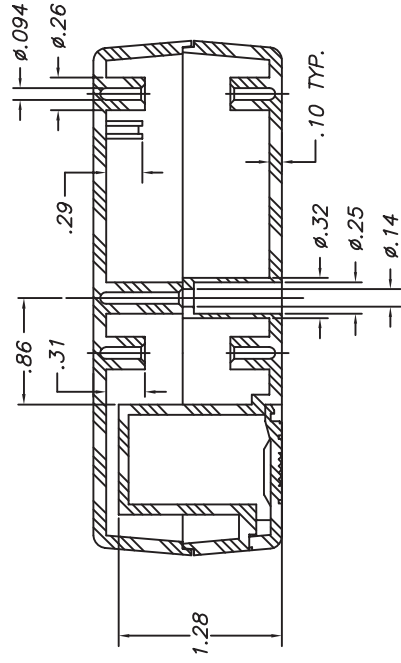
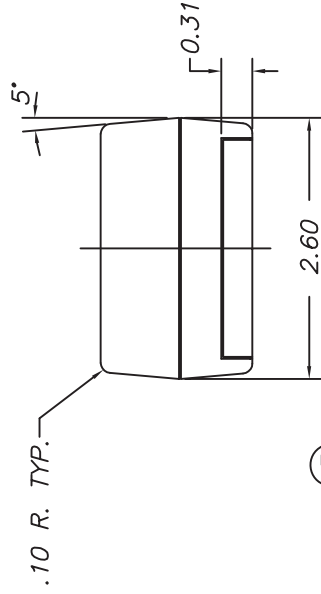
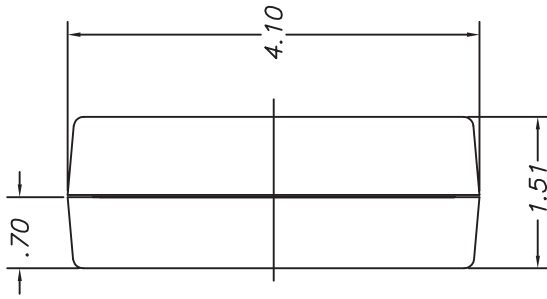
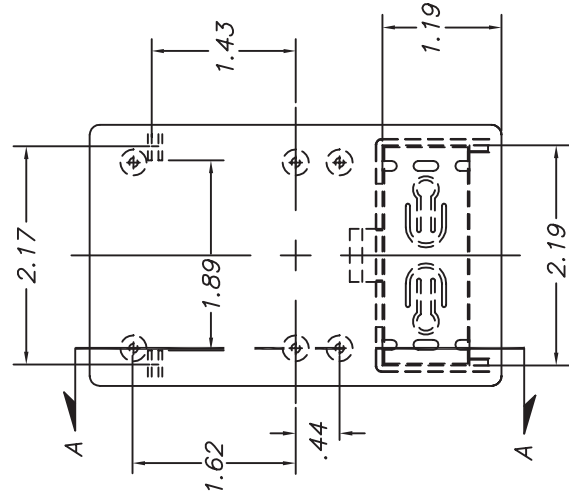
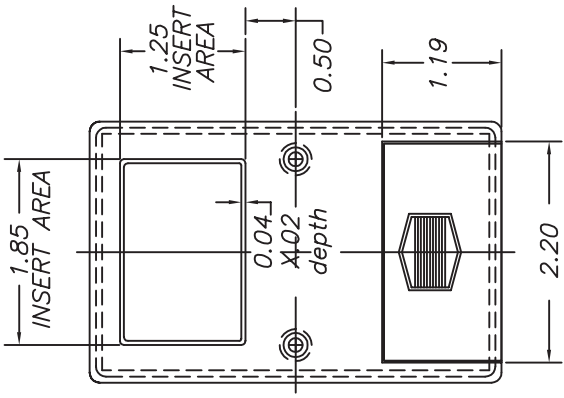


SERPAC 221

Electronics Enclosures

NOTES:

1. WHEN MACHINE OR I PLATES MODIFICATIONS ARE REQUIRED, USE THE CENTER OF THE ENCLOSURE TO DIMENSION.



ALL DIMENSIONS ± .010

2/24/09

ITEM	PART NO.	DESCRIPTION	ACCESSORIES	
			PART NO.	DESCRIPTION
1	2-1	PLASTIC TOP		
2	22	PLASTIC BOTTOM		
3	1025	PLASTIC BATTERY COVER	51	FEET
4	6005	SCREWS (2)	319	PROTOTYPE GRID BOARD (HORIZ.)
			419	PROTOTYPE CLAD BOARD (HORIZ.)

SECTION A-A