
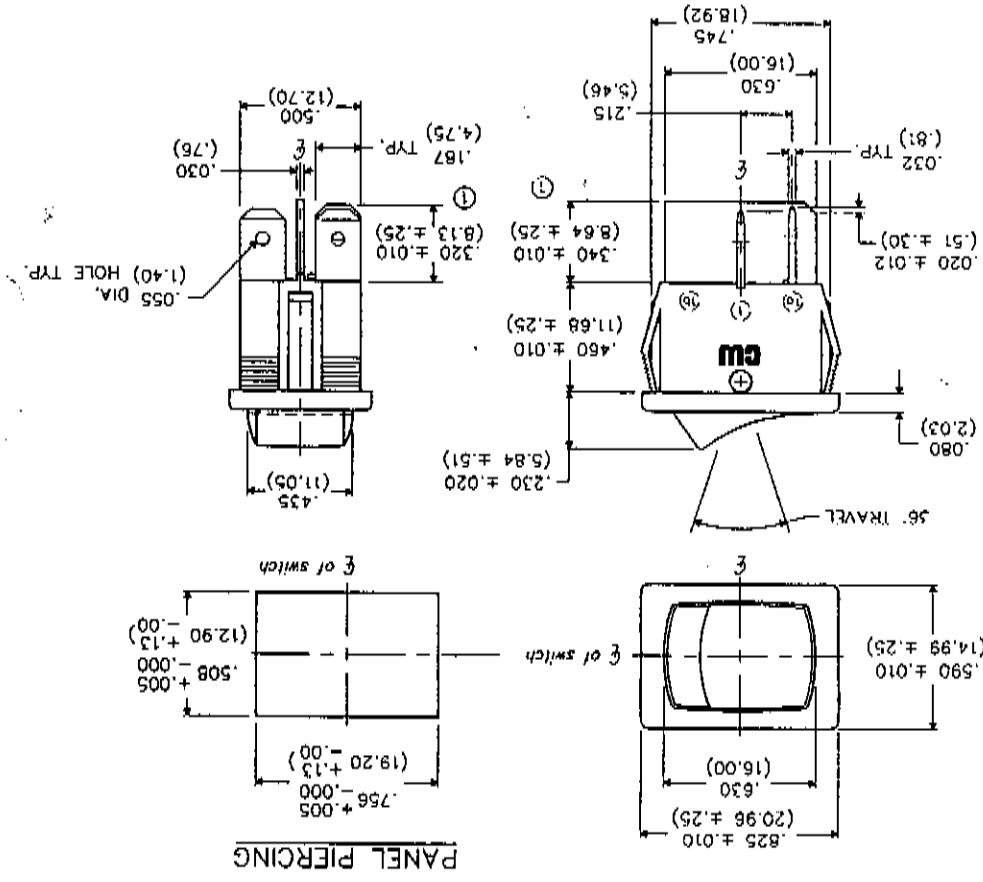


REVISIONS

0	RELEASED: SPR 2-11-91 RBK 2-13-91
1	UPDATED & REBANK, CORRECTED POSITION OF 3204.010 & RELOCATED 3404.010 DCW 6-12-95 JUN 20 1995

MASTER

ID. No: SAP00006A	
Checked by: <i>G. Gula & J. Hark</i>	Approved: <i>[Signature]</i>
Drawn by: SPR 2-11-91	Checked by: <i>[Signature]</i>
Division: SWITCH	Drawn by: <i>[Signature]</i>
Made for: CW IND.	
2 Piece Decal ±.010 1 Piece Dec. ±.25mm MTRNC	Angles: .31° 2 Piece Dec. ±.13mm
TOLERANCES UNLESS OTHERWISE SPECIFIED	
Southampton, Pa. 18966	
	
Title: ASSEMBLY DRAWING ROCKER SWITCH S.P. - S.T.	
Dwg. No. GRL-4011-1600	



GRL-4011-1600

DIMENSIONS IN INCHES (MILLIMETERS)
DO NOT SCALE DRAWING