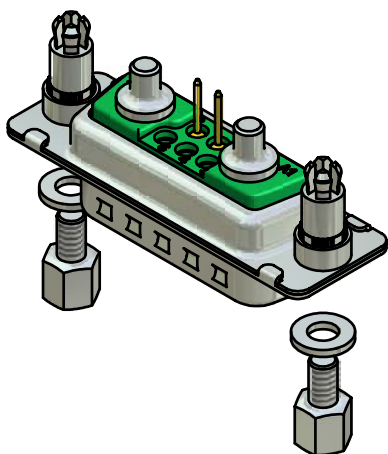
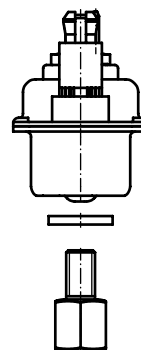
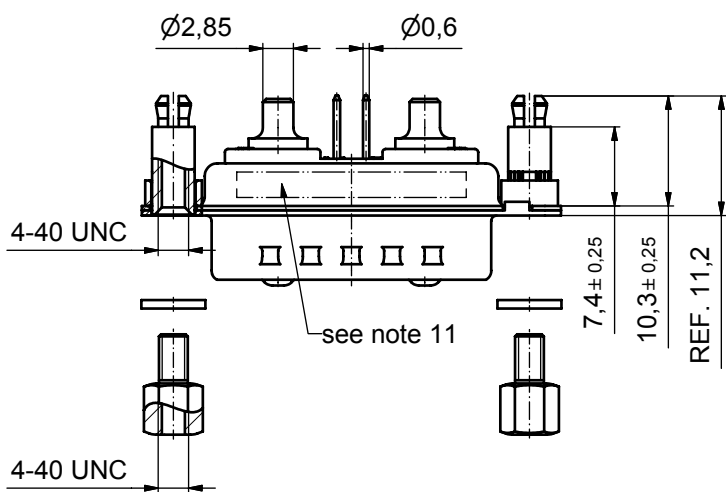
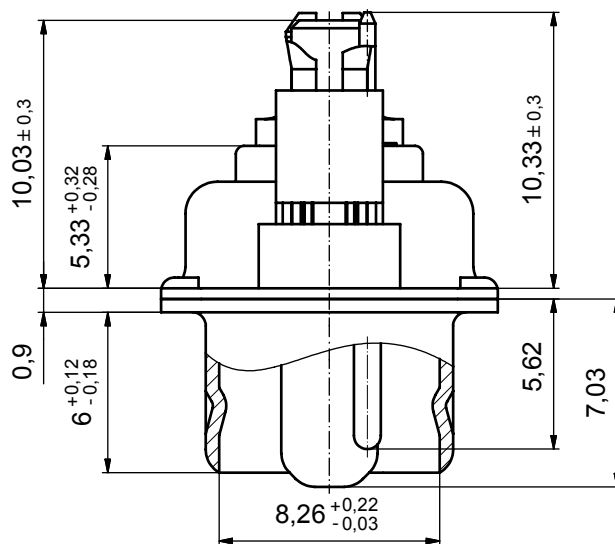
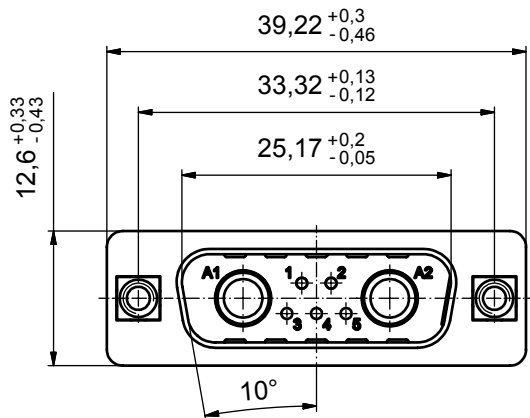


(5:1)



Directive 2002/95/EC
RoHS
Compliant

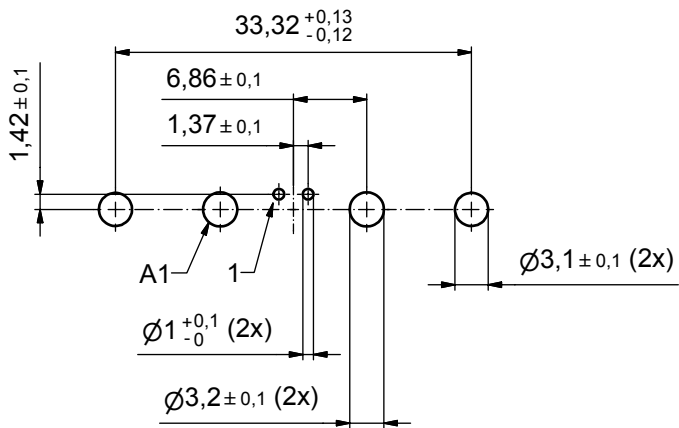
NOTES:

- METALSHELLS: STEEL; min. 315µin TIN over 40-80µin NICKEL
- INSULATORS: PBT GF UL 94 V-0; GREEN
- HIGH POWER CONTACTS 20A: COPPER ALLOY
PLATING MATING AREA: 30µin HARD GOLD over min. 50µin NICKEL
PLATING TERMINATION SIDE: 160-240µin TIN over 80µin NICKEL
MALE CONTACT ON POS. A1 and A2
- SIGNAL CONTACTS: COPPER ALLOY; 7,5A nominal
PLATING MATING AREA: 30µin HARD GOLD over min. 50µin NICKEL
MALE CONTACTS ON POS. 1 and 2, NO CONTACTS ON POS. 3, 4, 5
- THREADED SPACER CLIP: COPPER ALLOY; min. 200µin TIN over 80µin NICKEL
PCB-HOLE: $\varnothing 3,1 \pm 0,1$ mm; PCB-THICKNESS: 1,6mm
- P.C.B. HOLE DRILLINGS ON SHEET 2
- COLLAR: COPPER ALLOY; min. 200µin TIN over 80µin NICKEL
- HEX BOLT: STEEL; NICKEL PLATED
- WASHER: STEEL; NICKEL PLATED
- MAXIMUM TORQUE VALUE FOR THREAD: 6" LBS
- CONNECTOR IS PART MARKED: 13-000111 CONEC ABC

APPROVAL # FREIGABE # DEBLOCAGE # AUTORIZACION # APPROVAL	
CUSTOMER APPROVAL DATE:	
NAME:	TITLE:
COMPANY NAME:	
APPROVAL # FREIGABE # DEBLOCAGE # AUTORIZACION # APPROVAL	

THIS DRAWING MAY NOT BE COPIED OR REPRODUCED IN ANY WAY, AND MAY NOT BE PASSED ON TO A THIRD PARTY WITHOUT WRITTEN PERMISSION. OWNERSHIP AND COPYRIGHT OF CONEC GmbH				tolerance		dim. in mm	scale: 2:1 (5:1)	
				DO NOT ALTER CAD DRAWING BY HAND			material: see notes	
rev.	description	date	name	drawn	date	name	title: Micro TCA Single Port Power Module Input Connector Male with threaded spacer clip and hex bolt	
a	Origin			appd.	15.06.07	Koch		
				norm				
				d-old				
						dwg no: Inventor 10		DIN-A3
						part no: 13-000111		sh: 1

dwg no: Inventor 10		DIN-A3
part no: 13-000111		sh: 1



APPROVAL # FREIGABE # DEBLOCAGE # AUTORIZACION # APPROVAL	
CUSTOMER APPROVAL DATE:	
NAME:	TITLE:
COMPANY NAME:	
APPROVAL # FREIGABE # DEBLOCAGE # AUTORIZACION # APPROVAL	

THIS DRAWING MAY NOT BE COPIED OR REPRODUCED IN ANY WAY, AND MAY NOT BE PASSED ON TO A THIRD PARTY WITHOUT WRITTEN PERMISSION. OWNERSHIP AND COPYRIGHT OF CONEC GmbH				tolerance			scale: 2:1		
				DO NOT ALTER CAD DRAWING BY HAND			dim. in mm		material: see sheet 1
rev.	description	date	name	drawn	date	name	P.C.B. HOLE DRILLINGS MicroTCA Male Single Port Power Module Input Connector		
a	Origin			appd.	15.06.07	Schmidt			
				norm		Koch			
				d-old					
				CONEC [®]			dwg no: Inventor 10		DIN-A3
							part no: 13K1A2064		sh: 2
						part no: see sheet 1			