

BOURNS®

Features

- Single pole/single throw
- Compatible with surface mount reflow processes
- Tape and reel packaged
- 1mm profile height available
- Low level signal switch

Applications

- Electronic toys
- Personal alerts
- Remote locks
- Panel meters

7916 SMD 6mm Square Key Switch

Electrical Characteristics

Contact Rating
 Maximum.....20mA 15 VDC
 Minimum.....10 μ A 2 VDC
 Contact Resistance
100 milliohms max.
 Insulation Resistance
50 megohms min. (DC100V)
 Dielectric Strength250 VAC
 Contact Bounce3ms max. (on)
10ms max. (off)

General Characteristics

Switch Type(N.O.) SPST
 Operating Temperature Range
-20°C to +70°C
 Storage Temperature Range
-40°C to +85°C

Mechanical Characteristics

Push Stroke0.25mm \pm 0.1
 Actuation Force160 \pm 50 gf
 Operating Life100,000 Actuators

How to Order

7916 X - 1 - 000 E

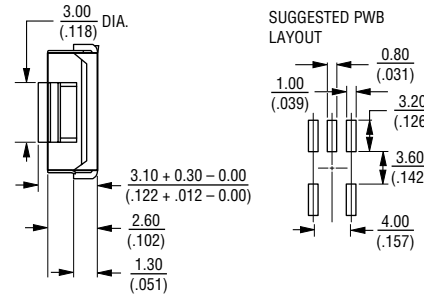
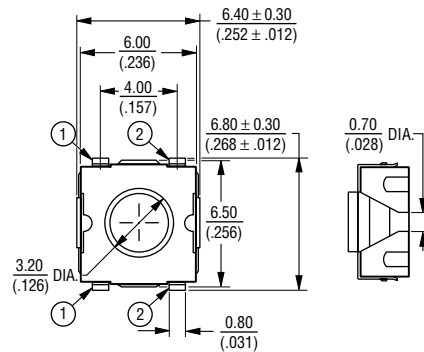
Model _____
 Terminal _____
 Switch Type _____
 1 = Std. (N.O.)
 Option _____
 Embossed Tape Designator _____
 E = 370mm Reel (Standard)
 7916X-1 = 2000 pcs./Reel

DIMENSIONS ARE: $\frac{\text{METRIC}}{\text{(INCHES)}}$

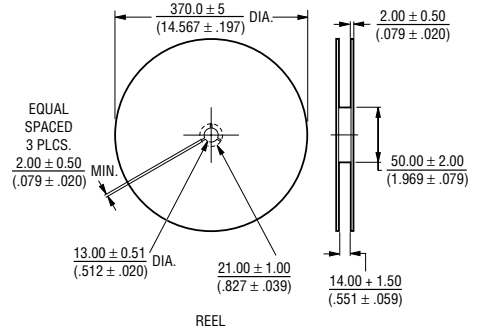
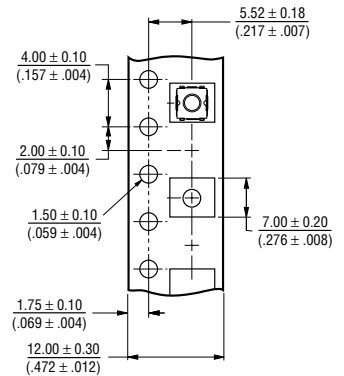
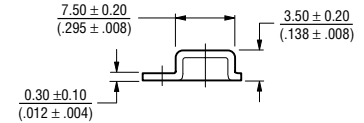
TOLERANCES: \pm .2 EXCEPT WHERE NOTED.

Product Dimensions

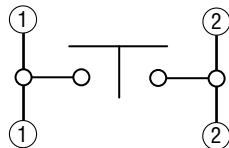
7916X-1 (WITH GROUND LUG)



Packaging Specifications



Meets EIA specification 481.



PUSH ON