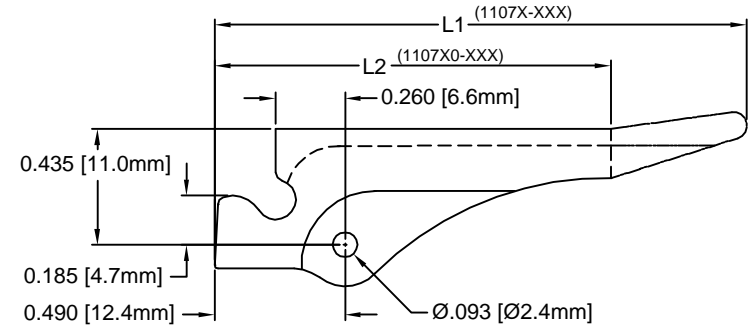
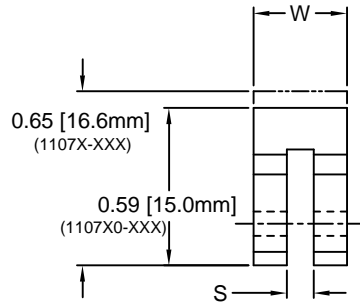
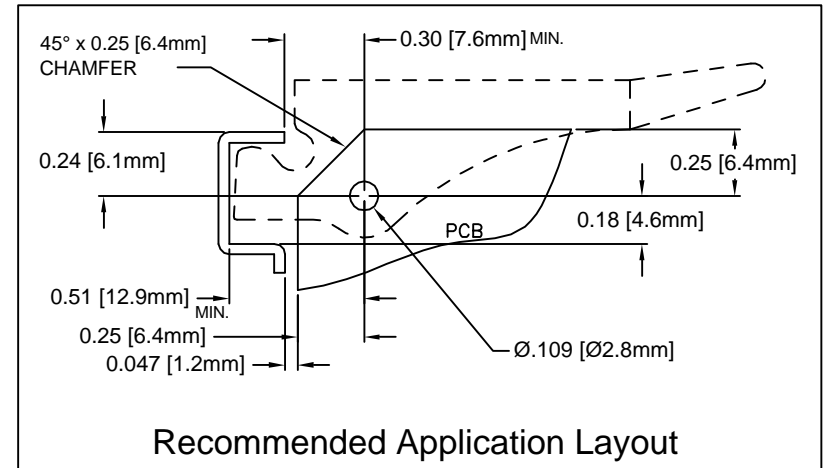



REV.	DESCRIPTION	DATE	APPROVED
C	Engineering Update w/o Changes	02/13/04	M. C.



PART NO.	COLOR	S	W	L1	L2	PCB THICKNESS	ROLL PIN	DESC
1107-062 NT	NATURAL	.075 (1.9mm)	.290 (7.4mm)	2.0 (50.8mm)	-	.062 (1.6mm)	RP-250	83023-09
1107-062 BK	BLACK	.075 (1.9mm)	.290 (7.4mm)	2.0 (50.8mm)	-	.062 (1.6mm)	RP-250	83023-09
11073-062 NT	NATURAL	.075 (1.9mm)	.350 (8.9mm)	2.0 (50.8mm)	-	.062 (1.6mm)	RP-312	-
11073-062 BK	BLACK	.075 (1.9mm)	.350 (8.9mm)	2.0 (50.8mm)	-	.062 (1.6mm)	RP-312	-
11073-093 NT	NATURAL	.100 (2.5mm)	.350 (8.9mm)	2.0 (50.8mm)	-	.093 (2.4mm)	RP-312	-
11073-093 BK	BLACK	.100 (2.5mm)	.350 (8.9mm)	2.0 (50.8mm)	-	.093 (2.4mm)	RP-312	-
11073-125 NT	NATURAL	.140 (3.6mm)	.350 (8.9mm)	2.0 (50.8mm)	-	.125 (3.2mm)	RP-312	83023-10
11073-125 BK	BLACK	.140 (3.6mm)	.350 (8.9mm)	2.0 (50.8mm)	-	.125 (3.2mm)	RP-312	83023-10
110710-062 NT	NATURAL	.075 (1.9mm)	.290 (7.4mm)	-	1.5 (38.1mm)	.062 (1.6mm)	RP-250	83023-11
110710-062 BK	BLACK	.075 (1.9mm)	.290 (7.4mm)	-	1.5 (38.1mm)	.062 (1.6mm)	RP-250	83023-11
1107310-062 NT	NATURAL	.075 (1.9mm)	.350 (8.9mm)	-	1.5 (38.1mm)	.062 (1.6mm)	RP-312	-
1107310-062 BK	BLACK	.075 (1.9mm)	.350 (8.9mm)	-	1.5 (38.1mm)	.062 (1.6mm)	RP-312	-
1107310-093 NT	NATURAL	.100 (2.5mm)	.350 (8.9mm)	-	1.5 (38.1mm)	.093 (2.4mm)	RP-312	-
1107310-093 BK	BLACK	.100 (2.5mm)	.350 (8.9mm)	-	1.5 (38.1mm)	.093 (2.4mm)	RP-312	-
1107310-125 NT	NATURAL	.140 (3.6mm)	.350 (8.9mm)	-	1.5 (38.1mm)	.125 (3.2mm)	RP-312	-
1107310-125 BK	BLACK	.140 (3.6mm)	.350 (8.9mm)	-	1.5 (38.1mm)	.125 (3.2mm)	RP-312	-



3. MATERIAL: NYLON 6/6, 30% GLASS, 94V-2, BLACK. BIVAR MATERIAL CODE 13-BK. RTP POLYAMIDE NYLON 6/6, 30% GLASS, RTP 205FR SP BLACK OR MODIFIED PLASTIC MN6/6-FG30SE BK.
2. MATERIAL: NYLON 6/6, 30% GLASS, 94V-2, NATURAL. BIVAR MATERIAL CODE 14-NL. RTP POLYAMIDE NYLON 6/6, 30% GLASS, RTP 205FR SP NATURAL OR MODIFIED PLASTIC MN6/6-FG30SE NAT.
1. GENERAL SPECIFICATIONS: BIVAR MOLDED COMPONENT SPECIFICATION BV00-E101.

STANDARD TOLERANCE (UNLESS OTHERWISE SPECIFIED) DECIMALS ANGULAR .X ± .1 X° ± 1° .XX ± .01 .XXX ± .005	 4 THOMAS, IRVINE, CA. 92618 TEL: (949) 951-8808 FAX: (949) 951-3974		
			TITLE: PCB INSERTER/EXTRACTOR
DESIGNED: David Green	DATE: 04/16/03	PART NO: 1107XXX-XXX XX	REVISION: C
CHECKED: M. Chen	DATE: 04/16/03	CAGE CODE : 32559 SHEET # 1 OF 1	CAD GENERATED DOCUMENT, DO NOT MEASURE DRAWING.