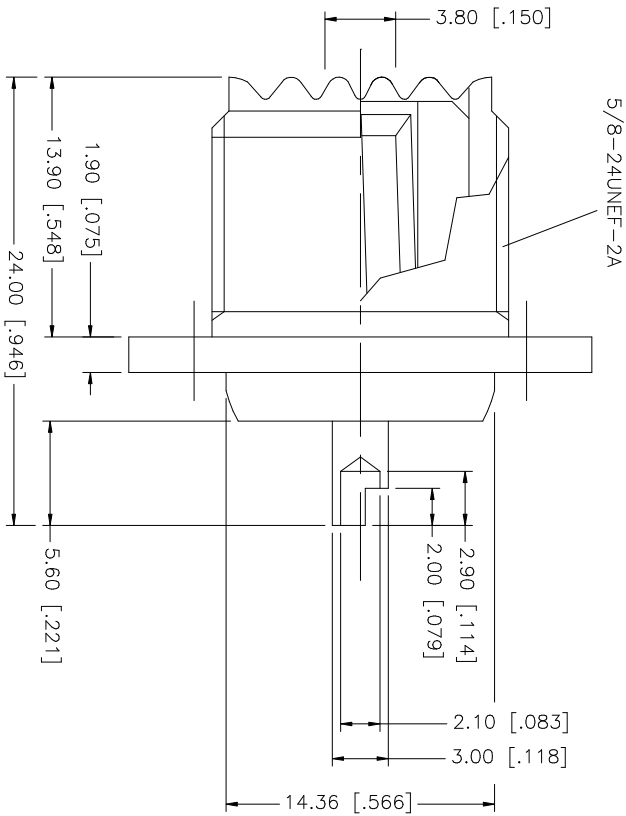
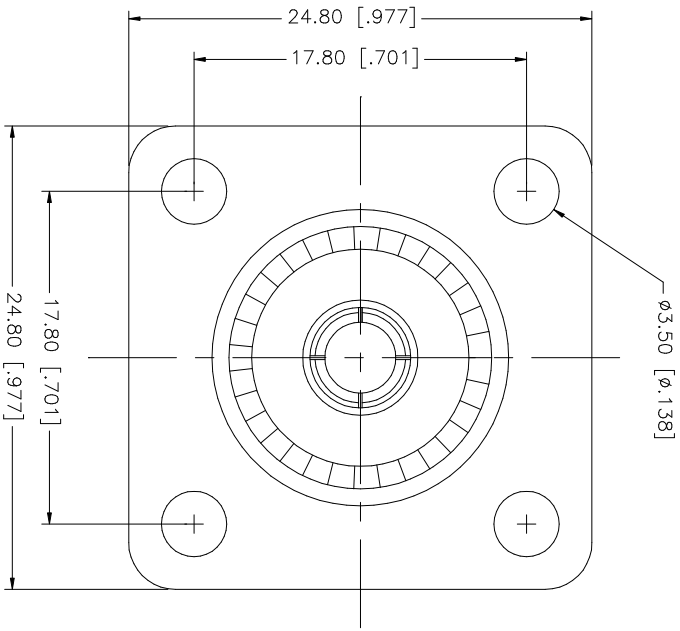


REV.	DATE	DESCRIPTION
NC	04/19/06	INITIAL RELEASE



NO.	DESCRIPTION	MATERIAL	FINISH	QTY	UNLESS OTHERWISE SPECIFIED DIMENSIONS ARE IN MILLIMETERS. DIMENSIONS IN [] ARE IN INCHES AND FOR CONVENIENCE REFERENCE ONLY.	UNLESS OTHERWISE SPECIFIED TOLERANCES FOR MILLIMETERS ARE:	UNLESS OTHERWISE SPECIFIED TOLERANCES FOR INCHES ARE:	APPROVALS	DATE	PART DESCRIPTION	PART NO.	DWG. NO.	REV.	SIZE	SCALE	
8						0.5 - 8mm ± 0.20mm	.020 - .315 ± ± 0.007"	DRAWN	G.R.S.	04/19/06	<h1 style="color: blue;">Amphenol Connex</h1> <h2 style="text-align: center;">UHF PANEL RECEPTACLE</h2>	182341	182341.DWG	NC	A	NA
7					8 - 30mm ± 0.40mm	.315 - 1.180 ± ± 0.015"	CHECKED									
6					30 - 120mm ± 0.50mm	1.180 - 4.724 ± ± 0.020"	ISSUED									
5							SHEET	1 OF 1								
4																
3	CONTACT PIN	BRASS	SILVER	1												
2	INSULATOR	DELRIN	NATURAL	1												
1	BODY	DIECAST	NICKEL	1												
	DESCRIPTION	MATERIAL	FINISH	QTY	DO NOT SCALE DRAWING			CAD FILE	C:/182/182341.DWG							