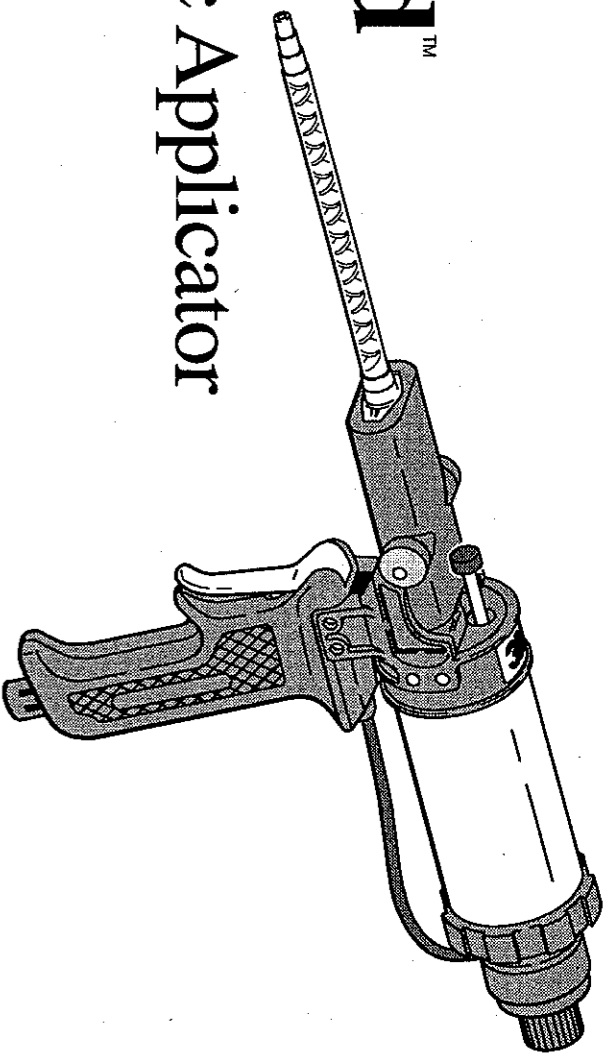


3M Scotch-Weld™ EPX™ Pneumatic Applicator System



Directions for Use

Important Safety Instructions:

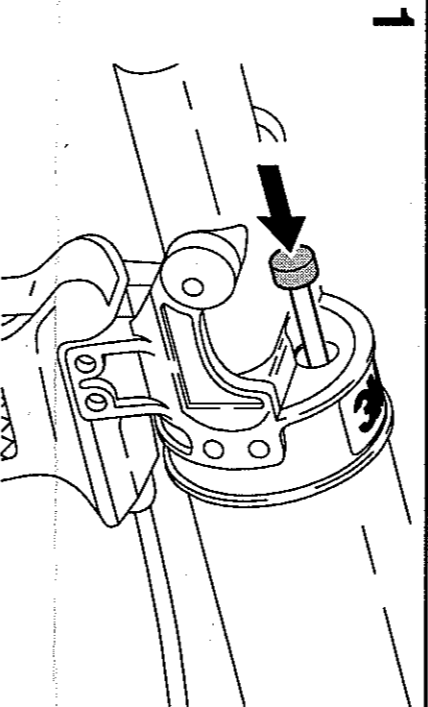
Read all instructions before servicing this product.

⚠ WARNING

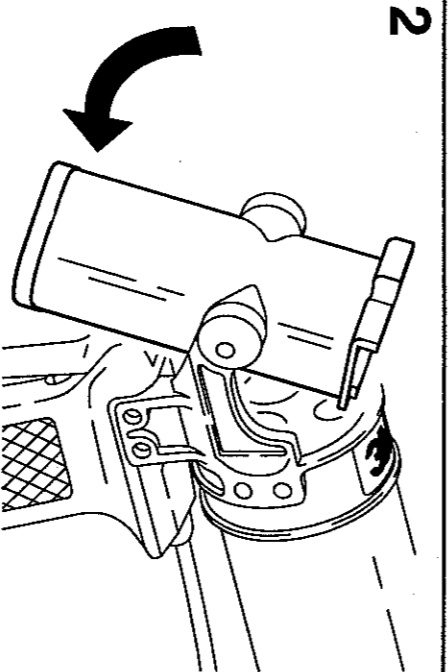
Do not activate trigger unless cartridge is in fully closed position. **Damage to applicator and injury may result.** Keep Duo-Pak orifice pointed away from body.

⚠ Caution

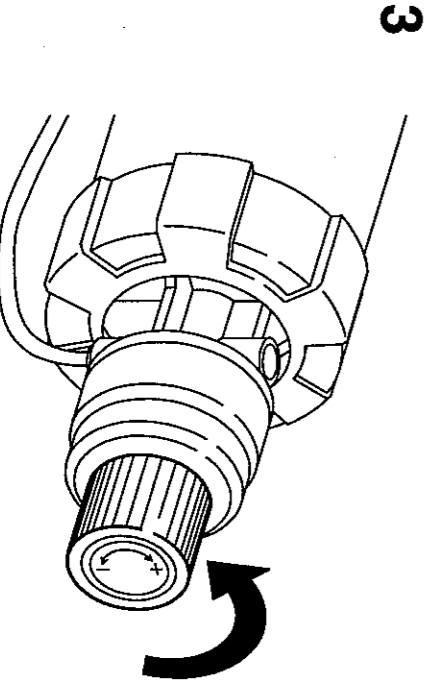
Do not actuate trigger when applicator is unloaded.



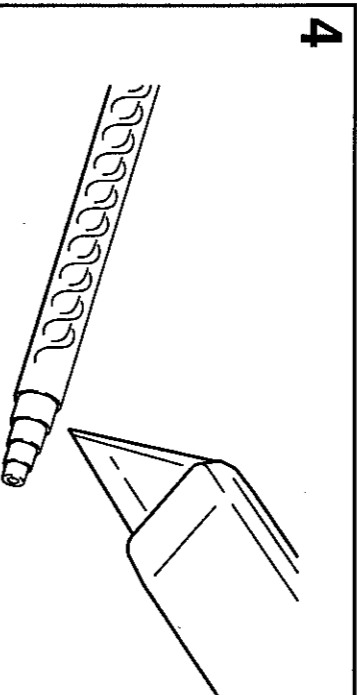
1 Push return rod fully into applicator. Plunger disks will retract with return rod.



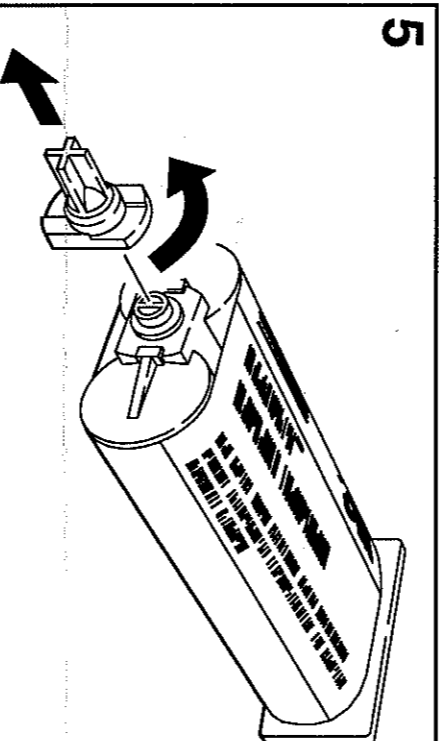
2 Swing retaining cartridge holder down.



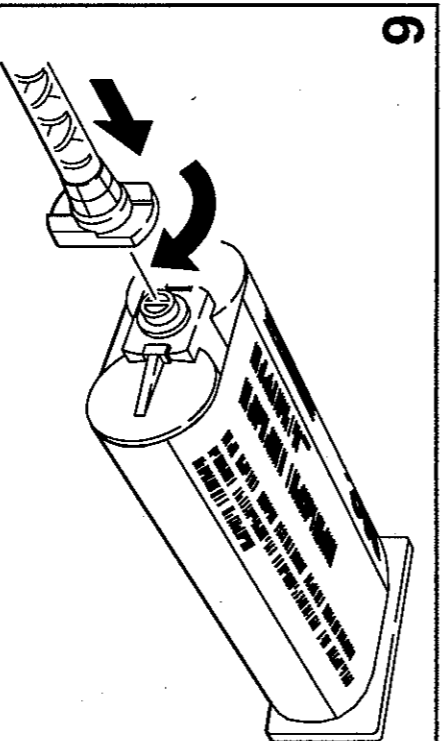
3 Turn pressure regulator knob fully counterclockwise to minimize pressure.



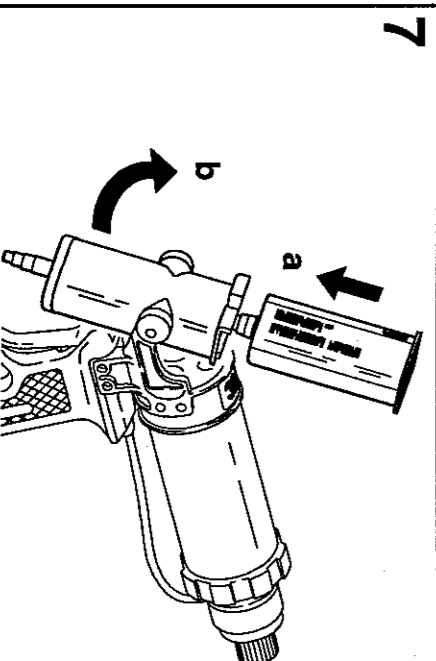
4 If desired, cut nozzle tip for increased bead size/flow rate.



5 Twist and remove Duo-Pak cap. Clear orifice of hardened material if necessary.



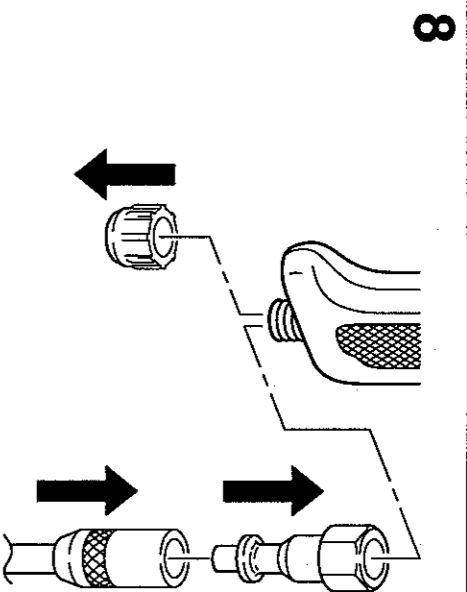
6 Twist mixing nozzle into locked position on Duo-Pak tip.



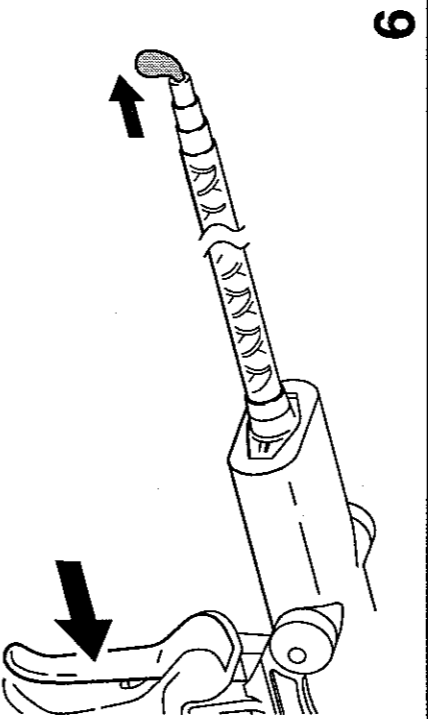
7 a. Insert cartridge.
b. Snap retaining cartridge into place.

! WARNING

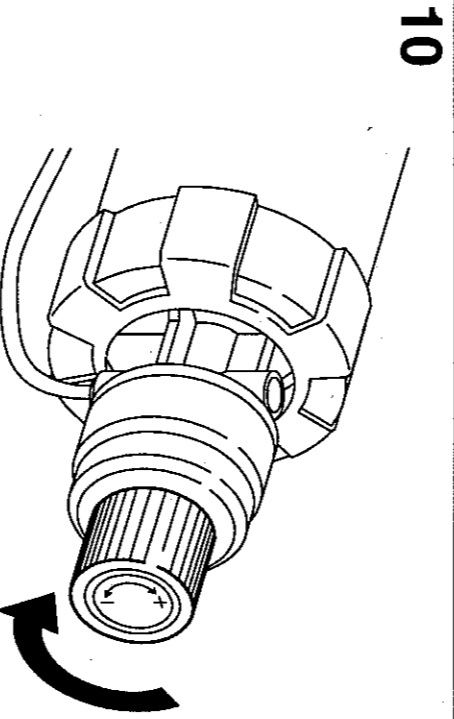
Do not activate trigger unless cartridge is in fully closed position. **Damage to applicator and injury may result.** Keep Duo-Pak orifice pointed away from body.



Connect air supply to air supply connection.



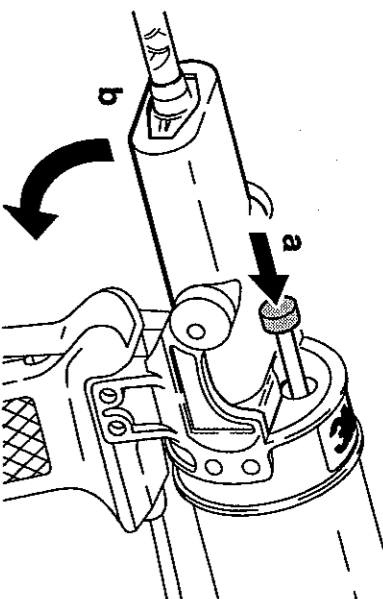
Squeeze trigger to expel a small amount of adhesive. Ensure that adhesive follows freely.



Turn pressure knob clockwise to desired delivery rate.

To remove Duo-Pak

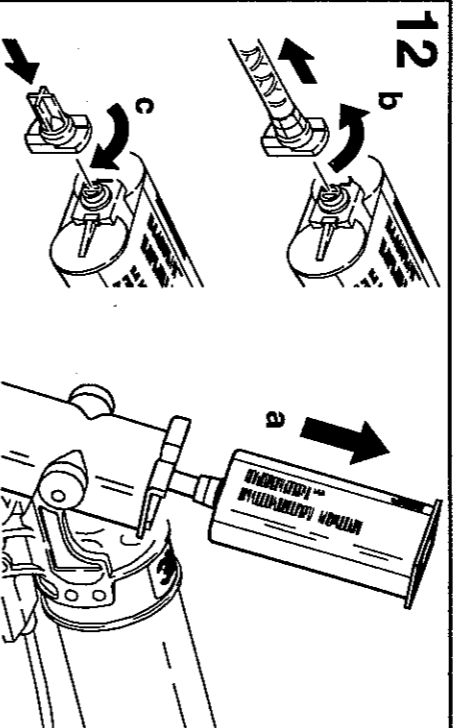
11



- Push return rod fully into applicator.
- Swing cartridge holder down.

Caution

Do not actuate trigger when applicator is unloaded.



- Slide Duo-Pak out of holder. Dispose of used Duo-Pak following recommended disposal on Material Safety Data sheets.

To store partially used Duo-Pak:

- Twist and remove nozzle. Wipe excess material from orifice. Avoid cross-contact of components.
- Twist cap into locked position on Duo-Pak.

To reload applicator

13

- Disconnect air supply and repeat steps 1-5.

Replacement Part: EPX™ Mixing Nozzle: 3M Stock Number 62-9741-9935-6

Limited Warranty

If 3M products are proven defective, the user's exclusive remedy will be, at 3M's option, to replace the defective 3M products or to refund the purchase price for the defective quantity. Except for the replacement or refund remedies, 3M is not liable for direct damages or liable for indirect, incidental, or consequential damages, regardless of the legal theory asserted, including negligence and strict liability.

3M

3M Adhesives Division

3M Center, Building 220-8E-05

St. Paul, MN 55144-1000

Printed on recycled paper.

Printed in U.S.A.

© 3M 2001 34-7011-9472-1 (A)