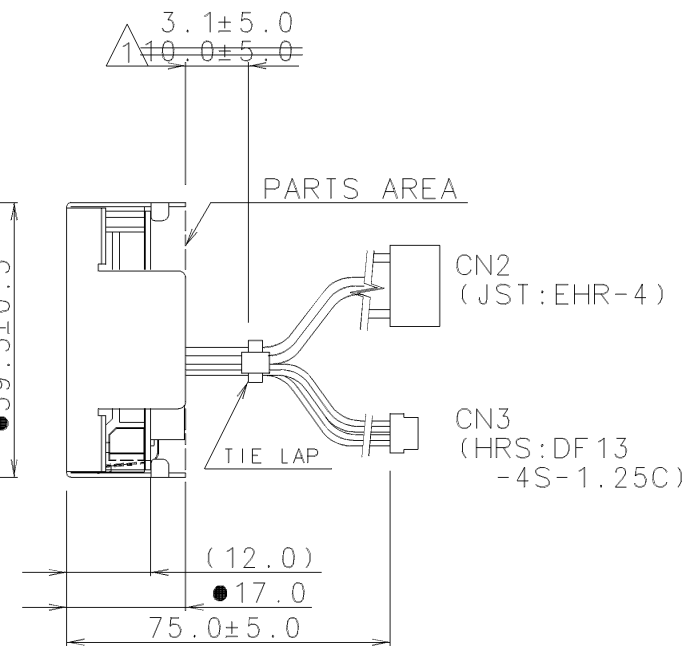
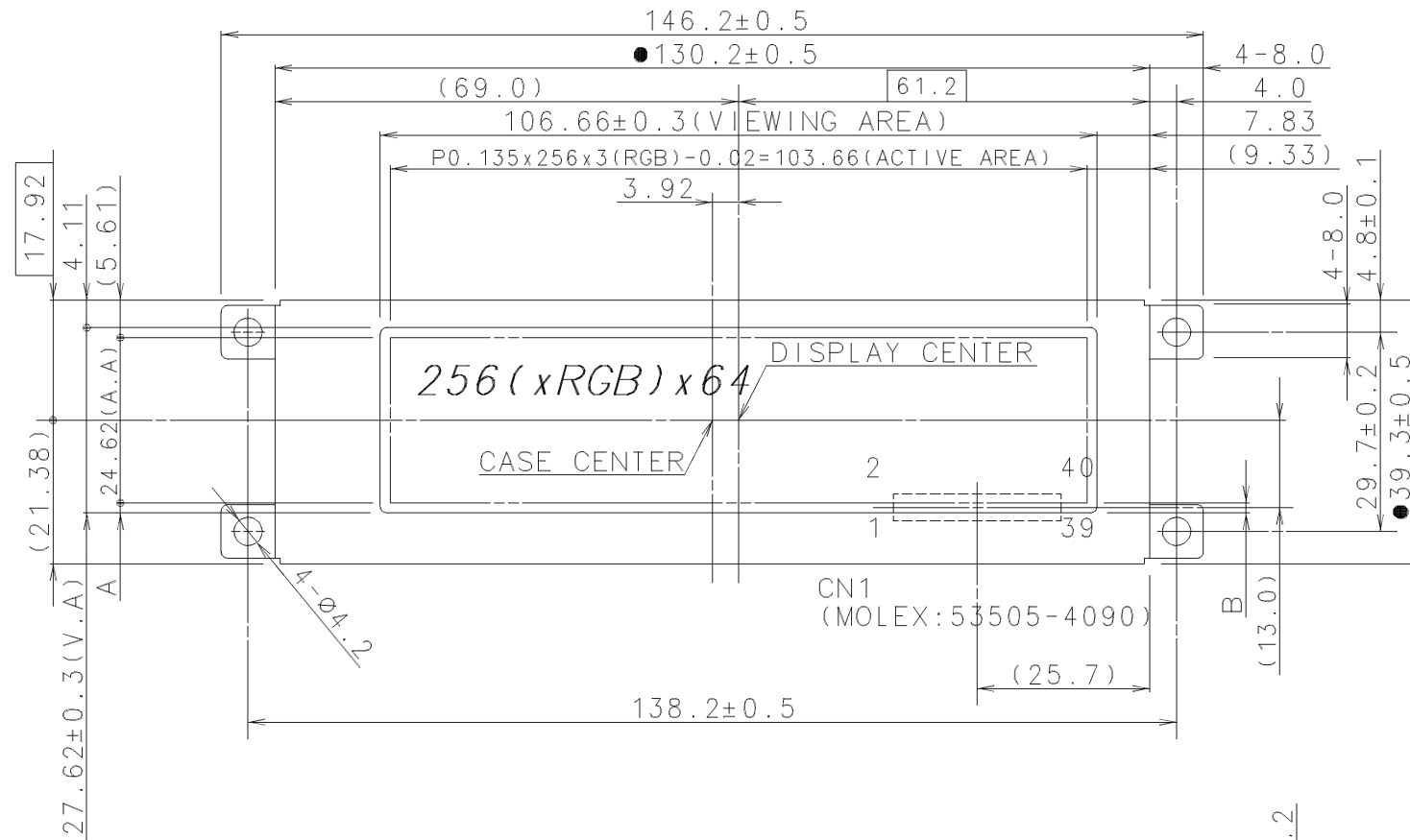




ISSUE	REVISIONS	DRAWN	APPROVED	DATE
1	ADDITION OF THE NOTES.	M.Nakada	T.Onishi	AUG. 9'00



CN1: PIN ASSIGNMENT

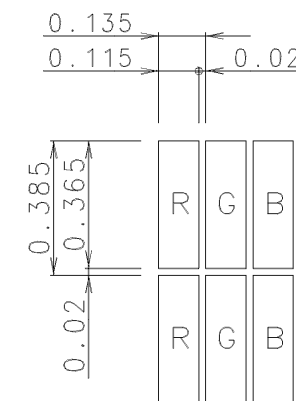
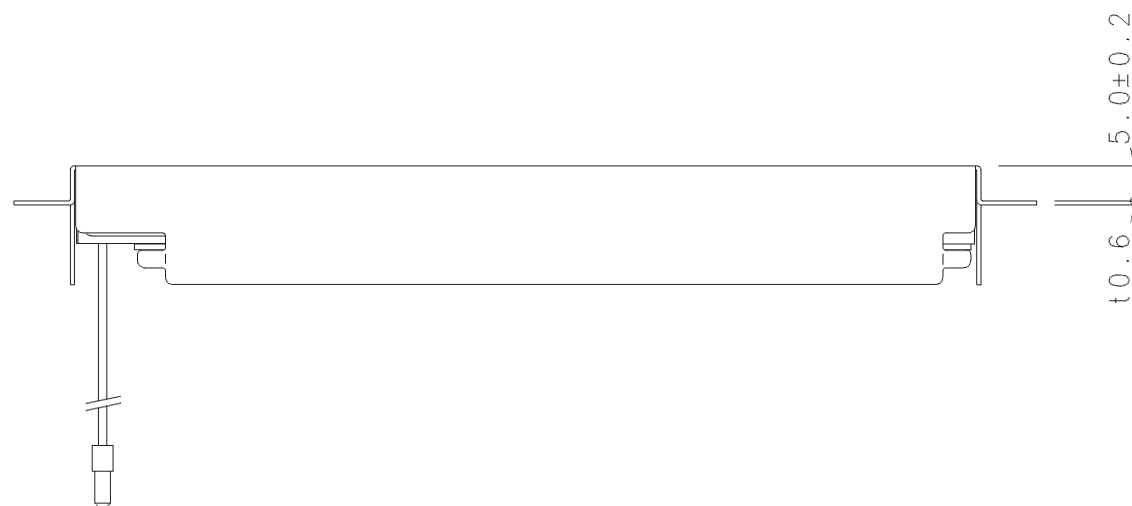
No.	Symbol	No.	Symbol
1	F G	21	AB4
2	VSS	22	AB5
3	VSS	23	AB6
4	VCC1	24	AB7
5	VCC1	25	AB8
6	VCC2	26	AB9
7	VCC2	27	AB10
8	VCONT	28	AB11
9	TOCS	29	AB12
10	TOWR	30	AB13
11	TORD	31	AB14
12	MEMCS	32	AB15
13	MEMWR	33	DB0
14	MEMRD	34	DB1
15	READY	35	DB2
16	RESET	36	DB3
17	AB0	37	DB4
18	AB1	38	DB5
19	AB2	39	DB6
20	AB3	40	DB7

CN2:

No.	Symbol
1	HV
2	NC
3	NC
4	GND

CN3:

No.	Symbol
1	TH1
2	TH2
3	+12V
4	GND



DOTS DETAIL (S=50:1)

- △ NOTES 1.DISPLAY SKEW: IA-BI≤0.4  
 2.●MARK DIMENSIONS :CRITICAL PARAMETERS.

注記1.表示傾きに関しては以下とする。  
 IA-BI≤0.4

2.●印の付いた寸法は、管理特性の指示を示す。

MEASURE	TOLERANCE			THIRD ANGLE PROJECTION	DATE	OPTREX CORPORATION
	A	B	C		JUN.15'00	TITLE
L≤16	±0.1	±0.3	±1	UNIT	APPROVED	DIMENSIONAL OUTLINE
16<L≤63	±0.2	±0.5	±1.5	mm	T.Onishi	
63<L≤250	±0.3	±0.8	±2	SCALE	CHECKED	CODE
250<L≤500	±0.5	±1.2	±3	1:1	S.Kuwabara	F-51136NCWHU-FW-AA
500<L	±0.8	±2	±4		DRAWN	DWG NO
ANGLE	±1°	±5°	±10°		M.Nakada	UE-300649A