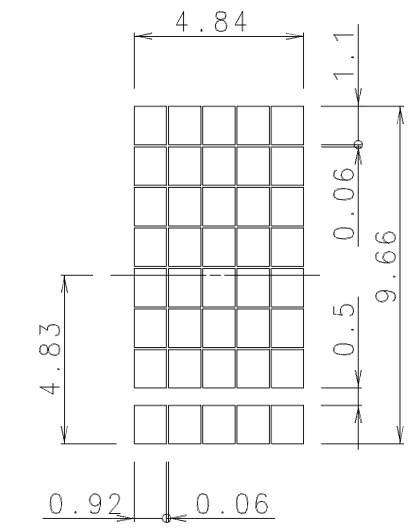
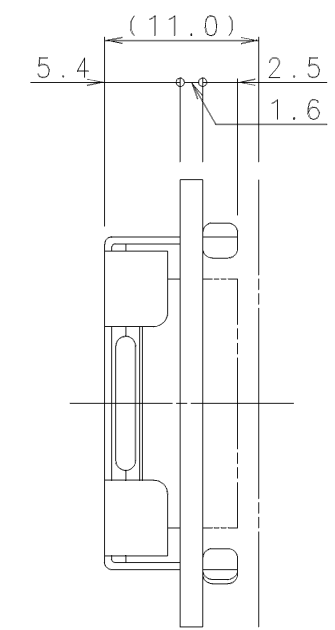
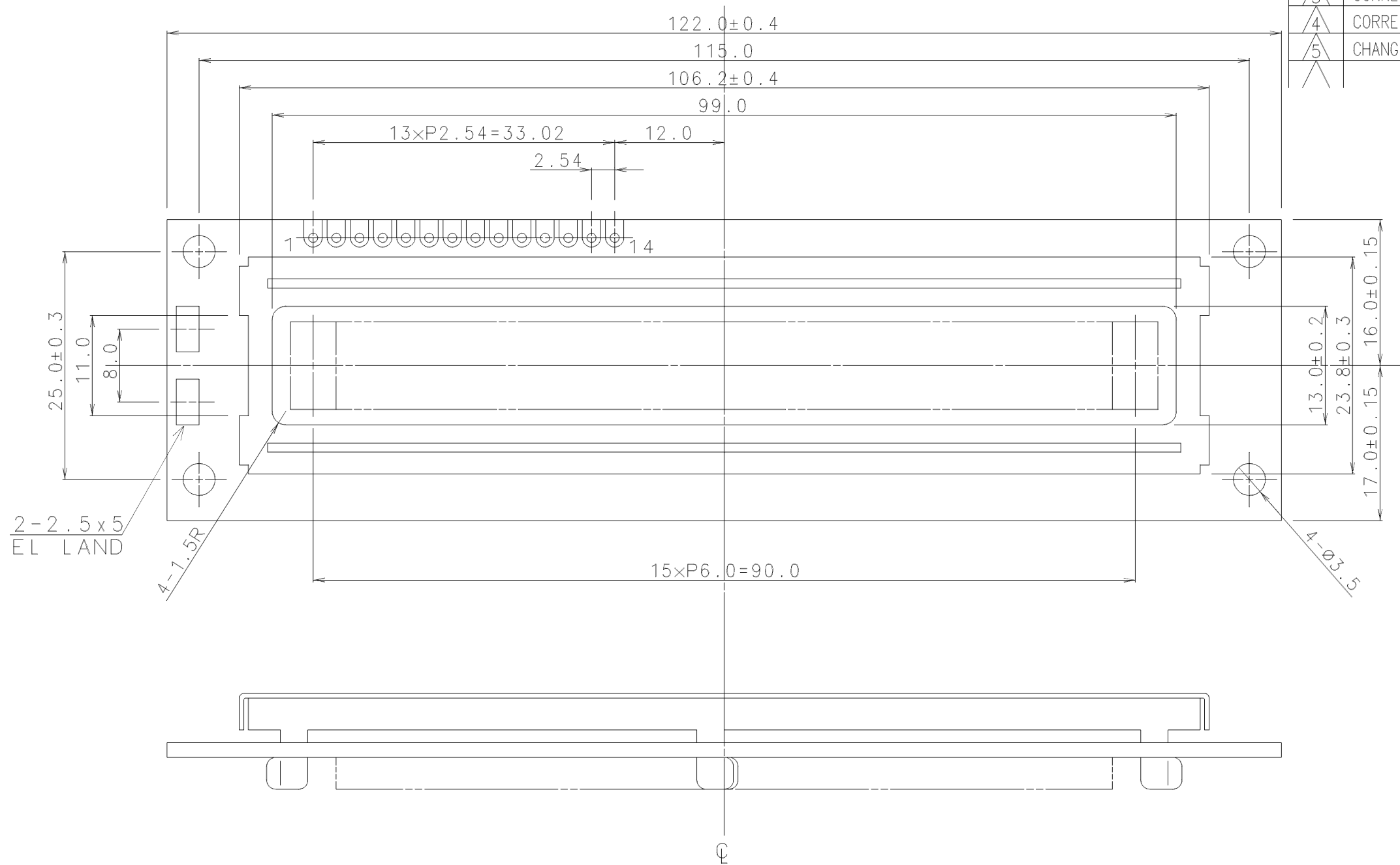




ISSUE	REVISIONS	DRAWN	APPROVED	DATE
1	CORRECTION	Saiki		JUN.04'85
2	ADDISION	Saiki		AUG.08'85
3	CORRECTION	Okamoto		OCT.26'86
4	CORRECTION	Ikemoto		DEC.30'89
5	CHANGE OF MODEL NAME	Natsume		MAR.13'95



DOT DETAIL: SCALE 5/1

PIN ASSIGNMENT

PIN No.	SYMBOL	PIN No.	SYMBOL
1	V _{SS}	9	DB2
2	V _{CC}	10	DB3
3	V _{EE}	11	DB4
4	RS	12	DB5
5	R/W	13	DB6
6	E	14	DB7
7	DB0	15	EL
8	DB1	16	EL

TOLERANCE			THIRD ANGLE PROJECTION	DATE JUN.04'85	OPTREX CORPORATION
MEASURE	A	B			
L≤16	±0.1	±0.3	±1	UNIT mm	APPROVED a.bcdefghi
16<L≤63	±0.2	±0.5	±1.5		
63<L≤250	±0.3	±0.8	±2	SCALE 2:1	CHECKED a.bcdefghi
250<L≤500	±0.5	±1.2	±3		
500<L	±0.8	±2	±4	DRAWN D.Natsume	DWC NO UE-30324E
ANGLE	±1°	±5°	±10°		

TITLE
DIMENSIONAL OUTLINE
CODE
DMC16128 Series
DWC NO
UE-30324E