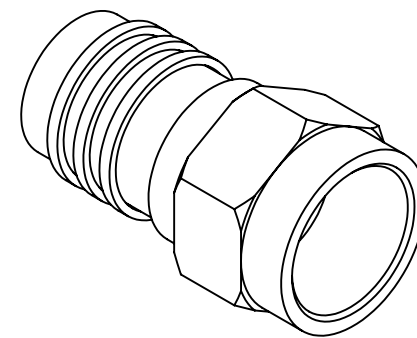
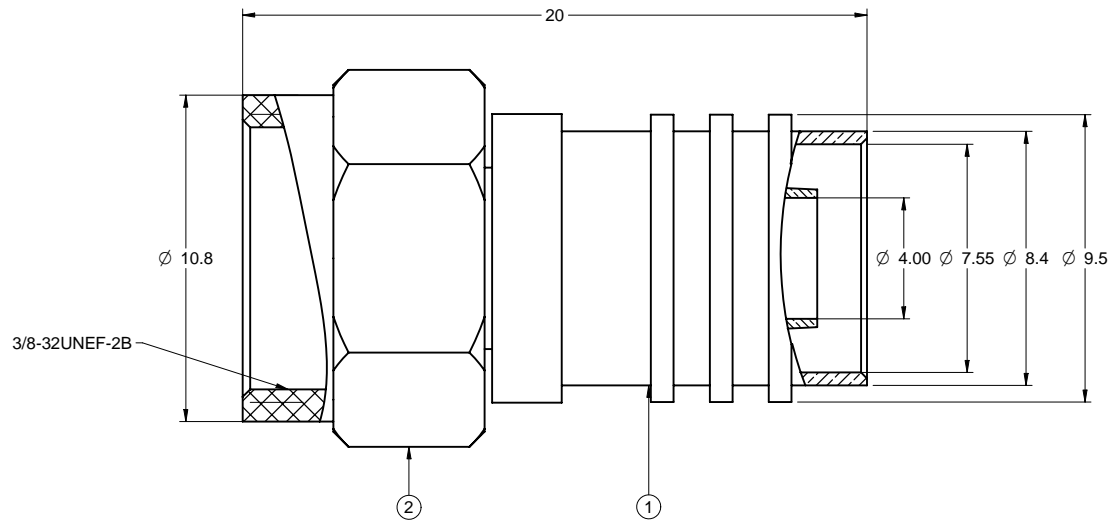
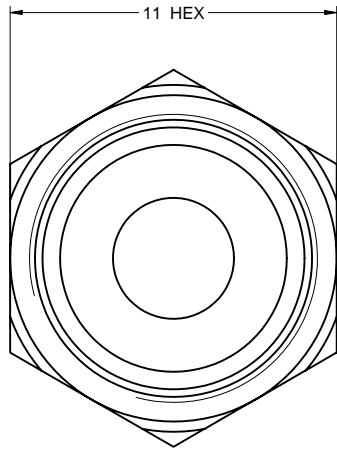


PART NUMBER	ITEM ① BODY	ITEM ② NUT
25-7030	BRASS NICKEL PLATED	ZINC NICKEL PLATED

DRAWING NO.
25-7030

REVISIONS

RELEASE FOR QUOTATION						
A	10-10-05	W	W	T		
CHANGE NUT MATERIAL, ADD DIAMETER 9.588.4						
B	08-10-06	W	W	T		
ADD NOTES 4 & 5						
C	09-11-06	Y	L	T		



NOTES:

- ELECTRICAL CHARACTERISTICS**
 IMPEDANCE: 75 OHMS
 FREQUENCY RANGE: 0-750 MHZ
 WORKING VOLTAGE: 500 VRMS MAX AT SEA LEVEL
 DIELECTRIC WITHSTANDING VOLTAGE: 1500 VRMS MAX AT SEA LEVEL
 INSULATION RESISTANCE: 5000 MEGOHMS
- ENVIRONMENTAL CHARACTERISTICS**
 TEMPERATURE RANGE: -55OC TO +85OC
 MOISTURE RESISTANCE: MIL-STD-202
- MECHANICAL CHARACTERISTICS**
 DURABILITY: 100 CYCLES
 CABLE RETENTION: 20 LBS.
 CABLE ACCEPTABILITY: STANDARD RG-59
- PRODUCT SHOULD BE RoHS COMPLIANCE
- PACKAGING REQUIREMENT FOLLOWS ENGINEERING DOCUMENT P/N 836-40200001XX.

THIS DRAWING TO BE INTERPRETED
PER ANSI Y 14.5M - 1994

COMPANY CONFIDENTIAL

TOLERANCE UNLESS OTHERWISE SPECIFIED		DRAWN BY BETTY.YU	DATE 09-11-06
DECIMALS	mm	CHECKED BY LINDA.WU	DATE 09-11-06
X	+ 0.3	APPROVED BY THOMAS	DATE 09-11-06
X.X	+ 0.2		
X.XX	+ 0.1		
ANGLES	+ 0.5°	U/M	mm

EMERSON
Network Power

Connectivity Solutions

TITLE
F-59ALM W/ ATT. 1/2 RING RG-59

THIS DRAWING WAS PRODUCED BY COMPUTER,
DO NOT SCALE DRAWING OR UPDATE MANUALLY.

SHEET 1 OF 1	DRAWING NO. 25-7030	SIZE C
-----------------	-------------------------------	------------------