

OTHER



RGB Connector

YRS21

DIP

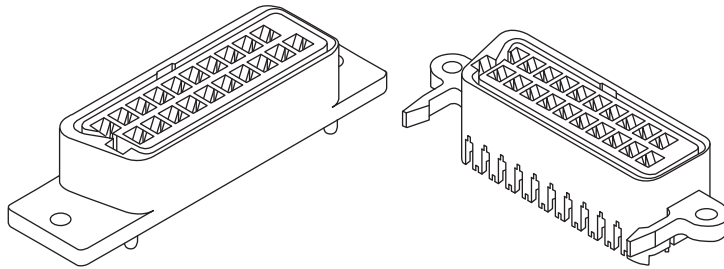
Straight / Right Angle

Material

I/NO	DESCRIPTION	TITLE	MATERIAL
1	HOUSING	YRS21	NORYL, UL94 V Grade
2	TERMINAL	YRS21-ST, AT	Phosphor Bronze & Tin-Plated

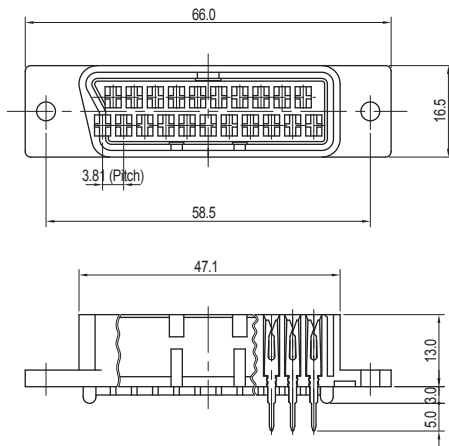
Specification

ITEM	SPEC
Voltage Rating	AC/DC 250V
Current Rating	AC/DC 3A
Operating Temperature	-25°C ~ +85°C
Contact Resistance	-
Withstanding Voltage	-
Insulation Resistance	-
Applicable Wire	-
Applicable P.C.B	-
Applicable FPC/FFC	-
Solder Height	-
Crimp Tensile Strength	-
UL FILE NO	-

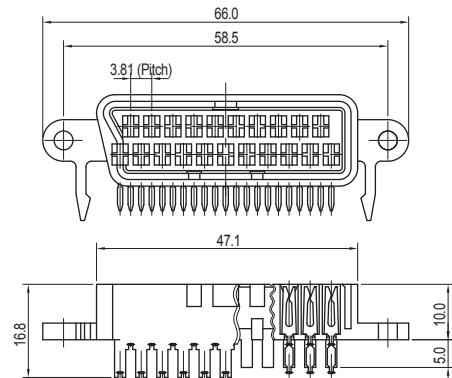


YRS21-S(Straight)

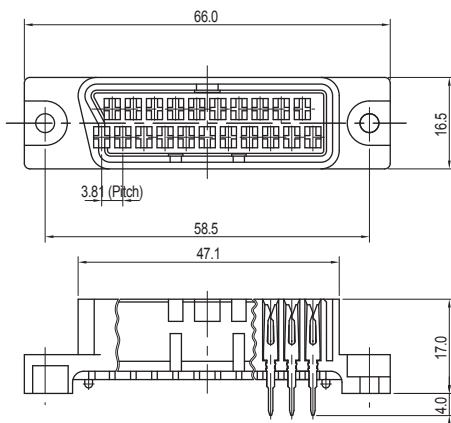
YRS21-R(Right Angle)



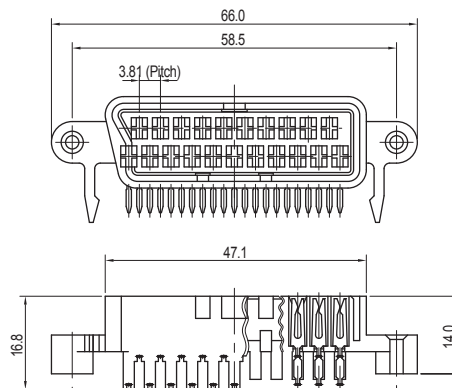
YRS21-S1



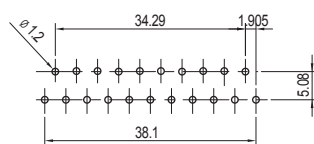
YRS21-R1



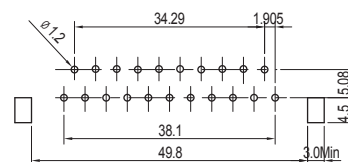
YRS21-S2



YRS21-R2



PCB LAYOUT(YRS21-S)



PCB LAYOUT(YRS21-R)