

8K

X25080

1K x 8 Bit

SPI Serial E²PROM With Block Lock™ Protection

FEATURES

- 2MHz Clock Rate
- SPI Modes (0,0 & 1,1)
- 1K X 8 Bits
 - 32 Byte Page Mode
- Low Power CMOS
 - <1µA Standby Current
 - <5mA Active Current
- 2.7V To 5.5V Power Supply
- Block Lock Protection
 - Protect 1/4, 1/2 or all of E²PROM Array
- Built-in Inadvertent Write Protection
 - Power-Up/Power-Down protection circuitry
 - Write Enable Latch
 - Write Protect Pin
- Self-Timed Write Cycle
 - 5ms Write Cycle Time (Typical)
- High Reliability
 - Endurance: 100,000 cycles
 - Data Retention: 100 Years
 - ESD protection: 2000V on all pins
- 8-Lead PDIP Package
- 8-Lead SOIC Package
- 14-Lead TSSOP Package

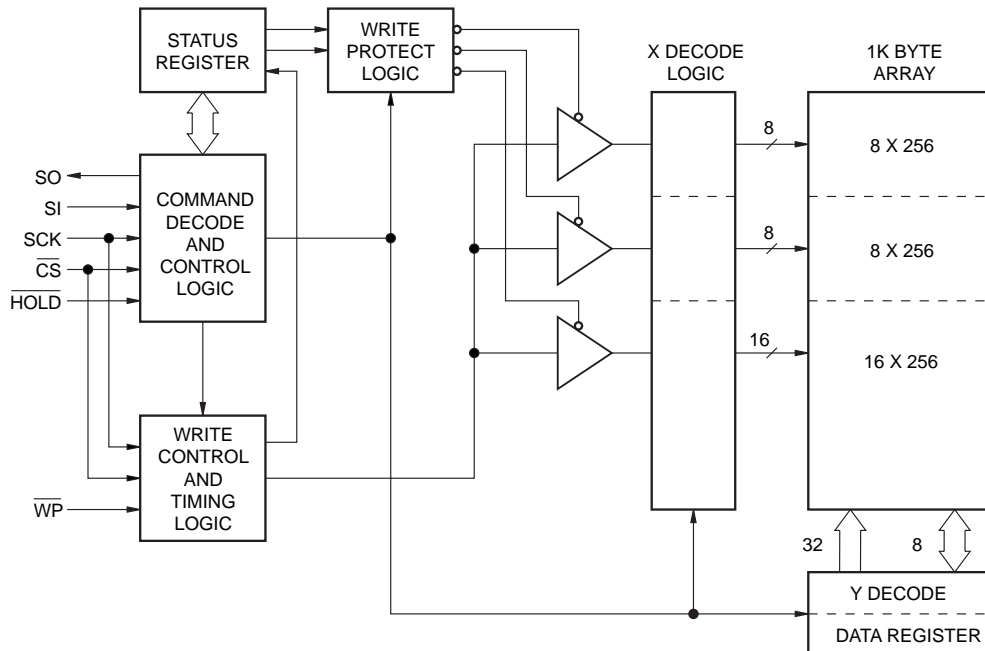
DESCRIPTION

The X25080 is a CMOS 8192-bit serial E²PROM, internally organized as 1K x 8. The X25080 features a Serial Peripheral Interface (SPI) and software protocol allowing operation on a simple three-wire bus. The bus signals are a clock input (SCK) plus separate data in (SI) and data out (SO) lines. Access to the device is controlled through a chip select (\overline{CS}) input, allowing any number of devices to share the same bus.

The X25080 also features two additional inputs that provide the end user with added flexibility. By asserting the \overline{HOLD} input, the X25080 will ignore transitions on its inputs, thus allowing the host to service higher priority interrupts. The \overline{WP} input can be used as a hardwire input to the X25080 disabling all write attempts to the status register, thus providing a mechanism for limiting end user capability of altering 0, 1/4, 1/2 or all of the memory.

The X25080 utilizes Xicor's proprietary Direct Write™ cell, providing a minimum endurance of 100,000 cycles and a minimum data retention of 100 years.

FUNCTIONAL DIAGRAM



3090 ILL F01

X25080

PIN DESCRIPTIONS

Serial Output (SO)

SO is a push/pull serial data output pin. During a read cycle, data is shifted out on this pin. Data is clocked out by the falling edge of the serial clock.

Serial Input (SI)

SI is the serial data input pin. All opcodes, byte addresses, and data to be written to the memory are input on this pin. Data is latched by the rising edge of the serial clock.

Serial Clock (SCK)

The Serial Clock controls the serial bus timing for data input and output. Opcodes, addresses, or data present on the SI pin are latched on the rising edge of the clock input, while data on the SO pin change after the falling edge of the clock input.

Chip Select (\overline{CS})

When \overline{CS} is HIGH, the X25080 is deselected and the SO output pin is at high impedance and unless an internal write operation is underway, the X25080 will be in the standby power mode. \overline{CS} LOW enables the X25080, placing it in the active power mode. It should be noted that after power-up, a HIGH to LOW transition on \overline{CS} is required prior to the start of any operation.

Write Protect (\overline{WP})

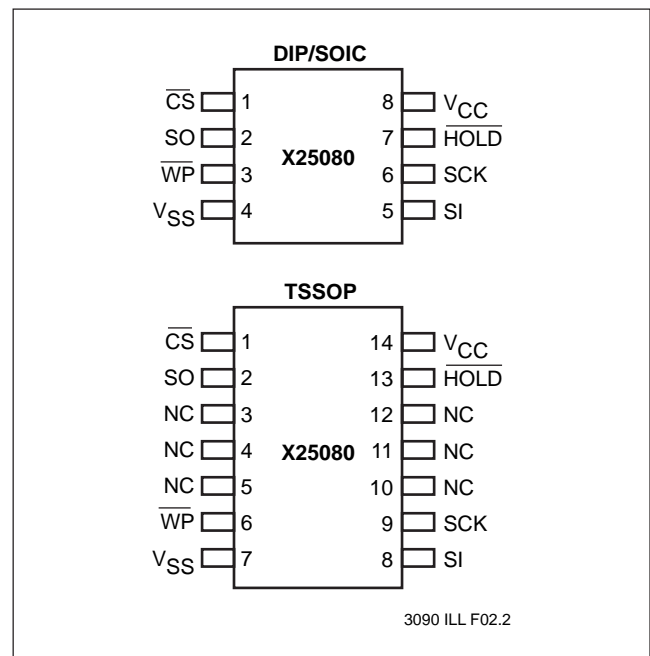
When \overline{WP} is LOW and the nonvolatile bit WPEN is "1", nonvolatile writes to the X25080 status register are disabled, but the part otherwise functions normally. When \overline{WP} is held HIGH, all functions, including nonvolatile writes operate normally. \overline{WP} going LOW while \overline{CS} is still LOW will interrupt a write to the X25080 status register. If the internal write cycle has already been initiated, \overline{WP} going LOW will have no effect on a write.

The \overline{WP} pin function is blocked when the WPEN bit in the status register is "0". This allows the user to install the X25080 in a system with \overline{WP} pin grounded and still be able to write to the status register. The \overline{WP} pin functions will be enabled when the WPEN bit is set "1".

Hold (\overline{HOLD})

\overline{HOLD} is used in conjunction with the \overline{CS} pin to select the device. Once the part is selected and a serial sequence is underway, \overline{HOLD} may be used to pause the serial communication with the controller without resetting the serial sequence. To pause, \overline{HOLD} must be brought LOW while SCK is LOW. To resume communication, \overline{HOLD} is brought HIGH, again while SCK is LOW. If the pause feature is not used, \overline{HOLD} should be held HIGH at all times.

PIN CONFIGURATION



PIN NAMES

| SYMBOL | DESCRIPTION |
|-------------------|---------------------|
| \overline{CS} | Chip Select Input |
| SO | Serial Output |
| SI | Serial Input |
| SCK | Serial Clock Input |
| \overline{WP} | Write Protect Input |
| VSS | Ground |
| VCC | Supply Voltage |
| \overline{HOLD} | Hold Input |
| NC | No Connect |

3090 PGM T01

X25080

PRINCIPLES OF OPERATION

The X25080 is a 1K x 8 E²PROM designed to interface directly with the synchronous serial peripheral interface (SPI) of many popular microcontroller families.

The X25080 contains an 8-bit instruction register. It is accessed via the SI input, with data being clocked in on the rising SCK. \overline{CS} must be LOW and the \overline{HOLD} and \overline{WP} inputs must be HIGH during the entire operation. The \overline{WP} input is “Don’t Care” if WPEN is set “0”.

Table 1 contains a list of the instructions and their opcodes. All instructions, addresses and data are transferred MSB first.

Data input is sampled on the first rising edge of SCK after \overline{CS} goes LOW. SCK is static, allowing the user to stop the clock and then resume operations. If the clock line is shared with other peripheral devices on the SPI bus, the user can assert the \overline{HOLD} input to place the X25080 into a “PAUSE” condition. After releasing \overline{HOLD} , the X25080 will resume operation from the point when \overline{HOLD} was first asserted.

Write Enable Latch

The X25080 contains a “write enable” latch. This latch must be SET before a write operation will be completed internally. The WREN instruction will set the latch and the WRDI instruction will reset the latch. This latch is automatically reset upon a power-up condition and after the completion of a byte, page, or status register write cycle.

Status Register

The RDSR instruction provides access to the status register. The status register may be read at any time, even during a write cycle. The status register is formatted as follows:

| | | | | | | | |
|------|---|---|---|-----|-----|-----|-----|
| 7 | 6 | 5 | 4 | 3 | 2 | 1 | 0 |
| WPEN | X | X | X | BP1 | BP0 | WEL | WIP |

3090 PGM T02

WPEN, BP0 and BP1 are set by the WRSR instruction. WEL and WIP are read-only and automatically set by other operations.

The Write-In-Process (WIP) bit indicates whether the X25080 is busy with a write operation. When set to a “1”, a write is in progress, when set to a “0”, no write is in progress. During a write, all other bits are set to “1”.

The Write Enable Latch (WEL) bit indicates the status of the “write enable” latch. When set to a “1”, the latch is set, when set to a “0”, the latch is reset.

The Block Protect (BP0 and BP1) bits are nonvolatile and allow the user to select one of four levels of protection. The X25080 is divided into four 2048-bit segments. One, two, or all four of the segments may be protected. That is, the user may read the segments but will be unable to alter (write) data within the selected segments. The partitioning is controlled as illustrated below.

| Status Register Bits | | Array Addresses Protected |
|----------------------|-----|---------------------------|
| BP1 | BP0 | |
| 0 | 0 | None |
| 0 | 1 | \$0300–\$03FF |
| 1 | 0 | \$0200–\$03FF |
| 1 | 1 | \$0000–\$03FF |

3090 PGM T03

Table 1. Instruction Set

| Instruction Name | Instruction Format* | Operation |
|------------------|---------------------|--|
| WREN | 0000 0110 | Set the Write Enable Latch (Enable Write Operations) |
| WRDI | 0000 0100 | Reset the Write Enable Latch (Disable Write Operations) |
| RDSR | 0000 0101 | Read Status Register |
| WRSR | 0000 0001 | Write Status Register |
| READ | 0000 0011 | Read Data from Memory Array beginning at selected address |
| WRITE | 0000 0010 | Write Data to Memory Array beginning at Selected Address (1 to 32 Bytes) |

3090 PGM T04

*Instructions are shown MSB in leftmost position. Instructions are transferred MSB first.

X25080

Write-Protect Enable

The Write-Protect-Enable (WPEN) is available for the X25080 as a nonvolatile enable bit for the \overline{WP} pin.

| WPEN | \overline{WP} | WEL | Protected Blocks | Unprotected Blocks | Status Register |
|------|-----------------|-----|------------------|--------------------|-----------------|
| 0 | X | 0 | Protected | Protected | Protected |
| 0 | X | 1 | Protected | Writable | Writable |
| 1 | LOW | 0 | Protected | Protected | Protected |
| 1 | LOW | 1 | Protected | Writable | Protected |
| X | HIGH | 0 | Protected | Protected | Protected |
| X | HIGH | 1 | Protected | Writable | Writable |

3090 PGM T05.1

The Write Protect (\overline{WP}) pin and the nonvolatile Write Protect Enable (WPEN) bit in the Status Register control the programmable hardware write protect feature. Hardware write protection is enabled when \overline{WP} pin is LOW, and the WPEN bit is “1”. Hardware write protection is disabled when either the \overline{WP} pin is HIGH or the WPEN bit is “0”. When the chip is hardware write protected, nonvolatile writes are disabled to the Status Register, including the Block Protect bits and the WPEN bit itself, as well as the block-protected sections in the memory array. Only the sections of the memory array that are not block-protected can be written.

Note: Since the WPEN bit is write protected, it cannot be changed back to a “0”, as long as the \overline{WP} pin is held LOW.

Clock and Data Timing

Data input on the SI line is latched on the rising edge of SCK. Data is output on the SO line by the falling edge of SCK.

Read Sequence

When reading from the E²PROM memory array \overline{CS} is first pulled LOW to select the device. The 8-bit READ instruction is transmitted to the X25080, followed by the 16-bit address of which the last 10 are used. After the READ opcode and address are sent, the data stored in the memory at the selected address is shifted out on the SO line. The data stored in memory at the next address can be read sequentially by continuing to provide clock pulses. The address is automatically incremented to the next higher address after each byte of data is shifted out. When the highest address is reached (\$03FF) the address counter rolls over to address \$0000 allowing the read cycle to be continued indefinitely. The read operation is terminated by taking \overline{CS} HIGH. Refer to the read E²PROM array operation sequence illustrated in Figure 1.

To read the status register the \overline{CS} line is first pulled LOW to select the device followed by the 8-bit RDSR instruction. After the RDSR opcode is sent, the contents of the status register are shifted out on the SO line. The read status register sequence is illustrated in Figure 2.

Write Sequence

Prior to any attempt to write data into the X25080, the “write enable” latch must first be set by issuing the WREN instruction (See Figure 3). \overline{CS} is first taken LOW, then the WREN instruction is clocked into the X25080. After all eight bits of the instruction are transmitted, \overline{CS} must then be taken HIGH. If the user continues the write operation without taking \overline{CS} HIGH after issuing the WREN instruction, the write operation will be ignored.

To write data to the E²PROM memory array, the user issues the WRITE instruction, followed by the address and then the data to be written. This is minimally a thirty-two clock operation. \overline{CS} must go LOW and remain LOW for the duration of the operation. The host may continue to write up to 32 bytes of data to the X25080. The only restriction is the 32 bytes must reside on the same page. If the address counter reaches the end of the page and the clock continues, the counter will “roll over” to the first address of the page and overwrite any data that may have been written.

For the write operation (byte or page write) to be completed, \overline{CS} can only be brought HIGH after bit 0 of data byte N is clocked in. If it is brought HIGH at any other time the write operation will not be completed. Refer to Figures 4 and 5 below for a detailed illustration of the write sequences and time frames in which \overline{CS} going HIGH are valid.

To write to the status register, the WRSR instruction is followed by the data to be written. Data bits 0, 1, 4, 5 and 6 must be “0”. Figure 6 shows this sequence.

While the write is in progress following a status register or E²PROM write sequence, the status register may be read to check the WIP bit. During this time the WIP bit will be “1”.

Hold Operation

The \overline{HOLD} input should be HIGH (at V_{IH}) under normal operation. If a data transfer is to be interrupted \overline{HOLD} can be pulled LOW to suspend the transfer until it can be resumed. The only restriction is the SCK input must be LOW when \overline{HOLD} is first pulled LOW and SCK must also be LOW when \overline{HOLD} is released.

The \overline{HOLD} input may be tied HIGH either directly to V_{CC} or tied to V_{CC} through a resistor.

X25080

Operational Notes

The X25080 powers-up in the following state:

- The device is in the low power standby state.
- A HIGH to LOW transition on \overline{CS} is required to enter an active state and receive an instruction.
- SO pin is high impedance.
- The “write enable” latch is reset.

Data Protection

The following circuitry has been included to prevent inadvertent writes:

- The “write enable” latch is reset upon power-up.
- A WREN instruction must be issued to set the “write enable” latch.
- \overline{CS} must come HIGH at the proper clock count in order to start a write cycle.

Figure 1. Read E²PROM Array Operation Sequence

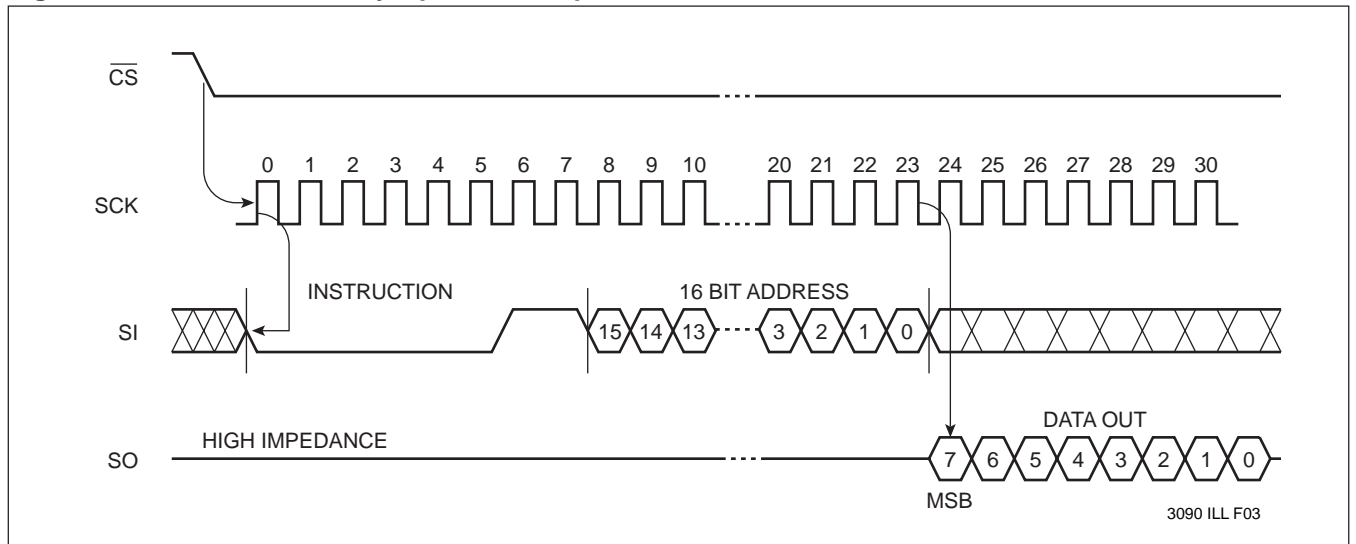


Figure 2. Read Status Register Operation Sequence

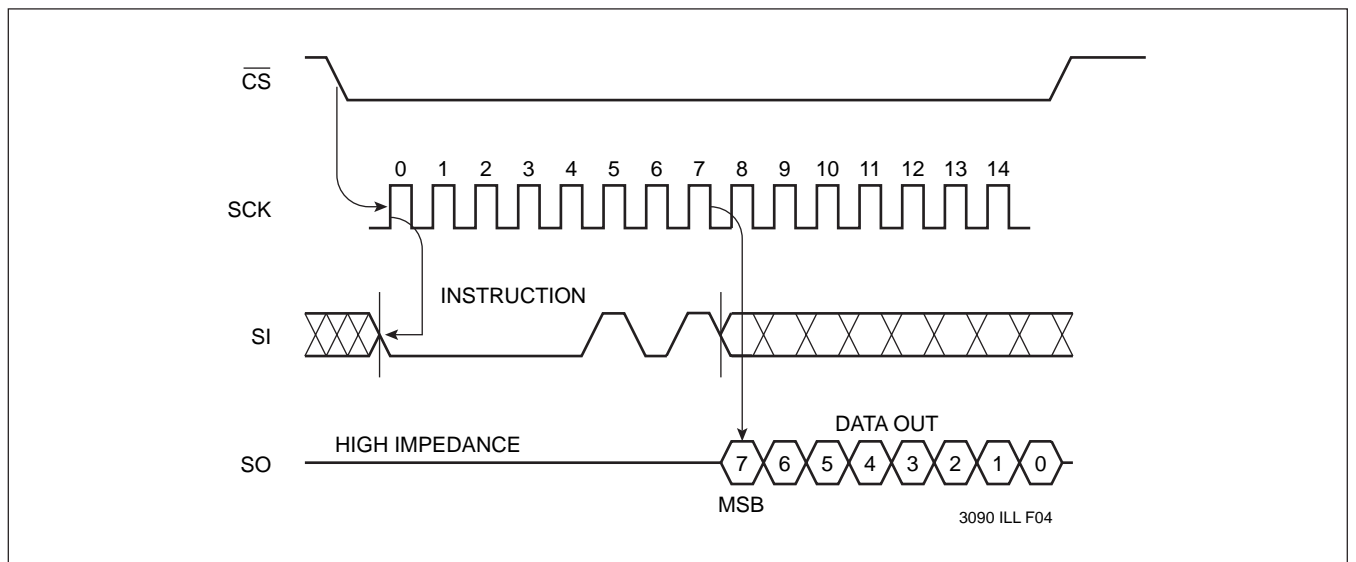


Figure 3. Write Enable Latch Sequence

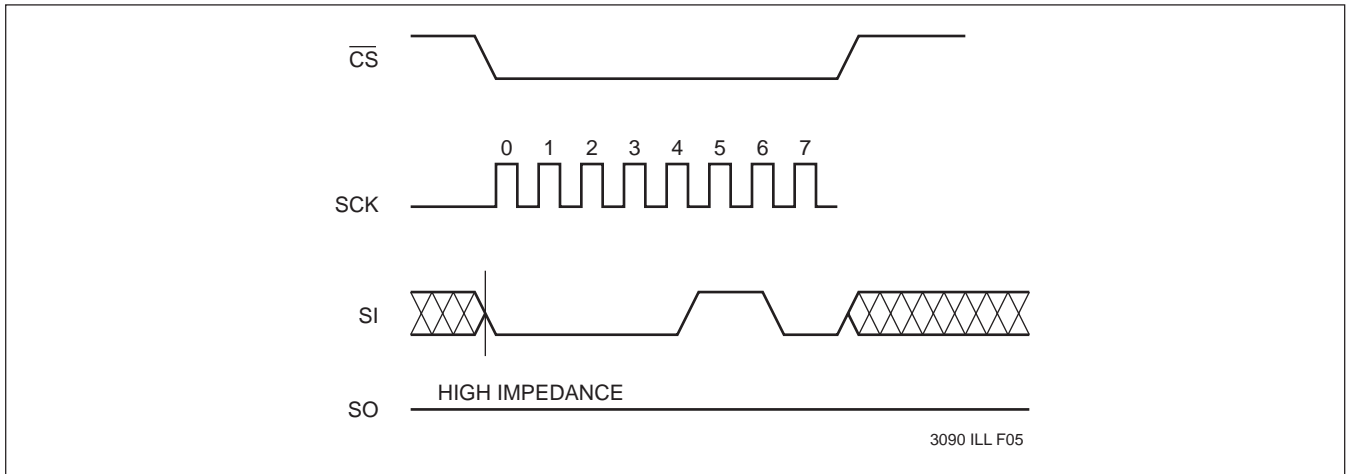
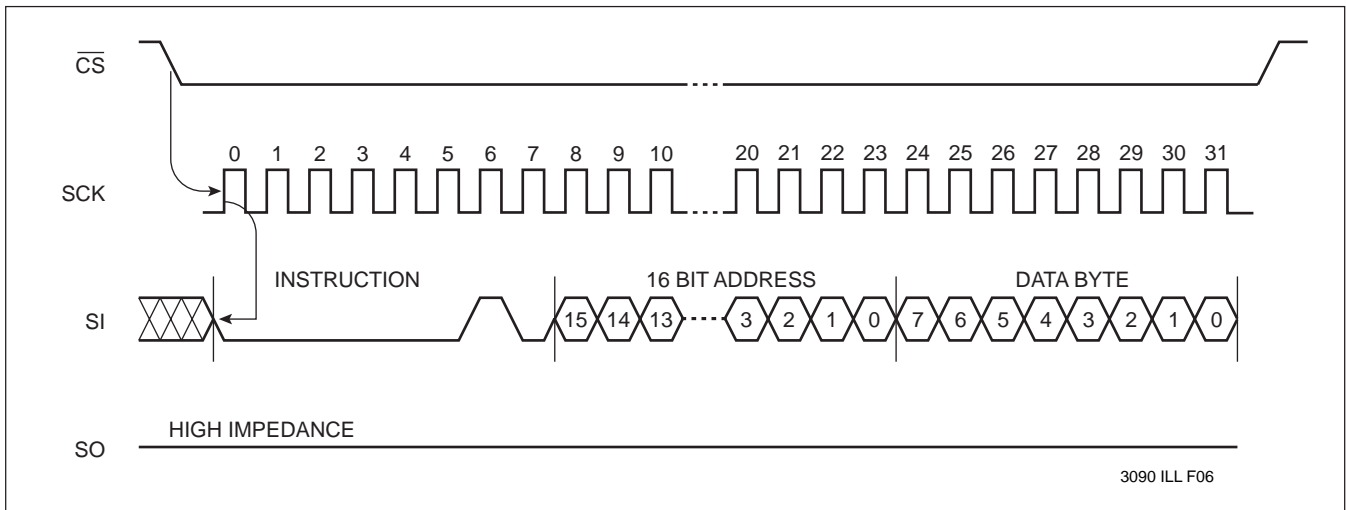


Figure 4. Byte Write Operation Sequence



X25080

Figure 5. Page Write Operation Sequence

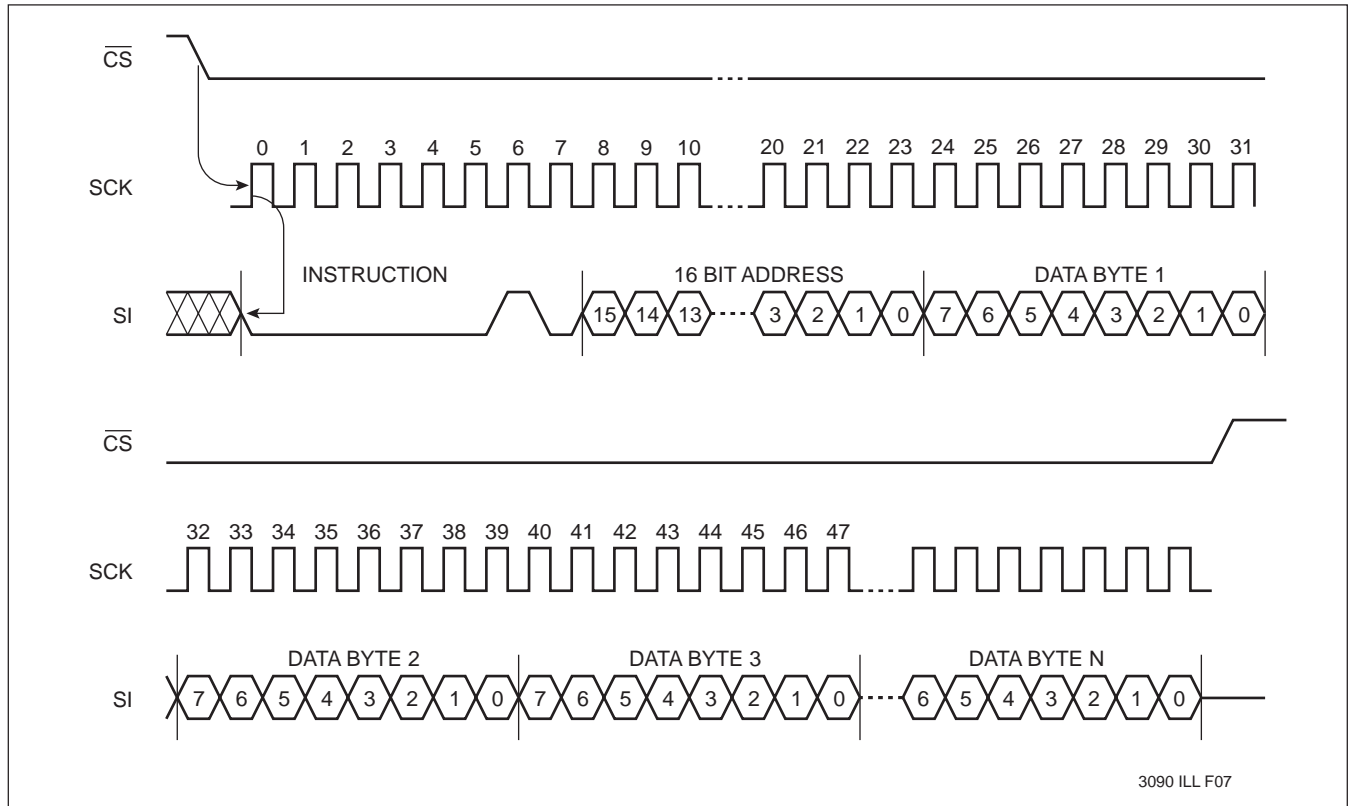
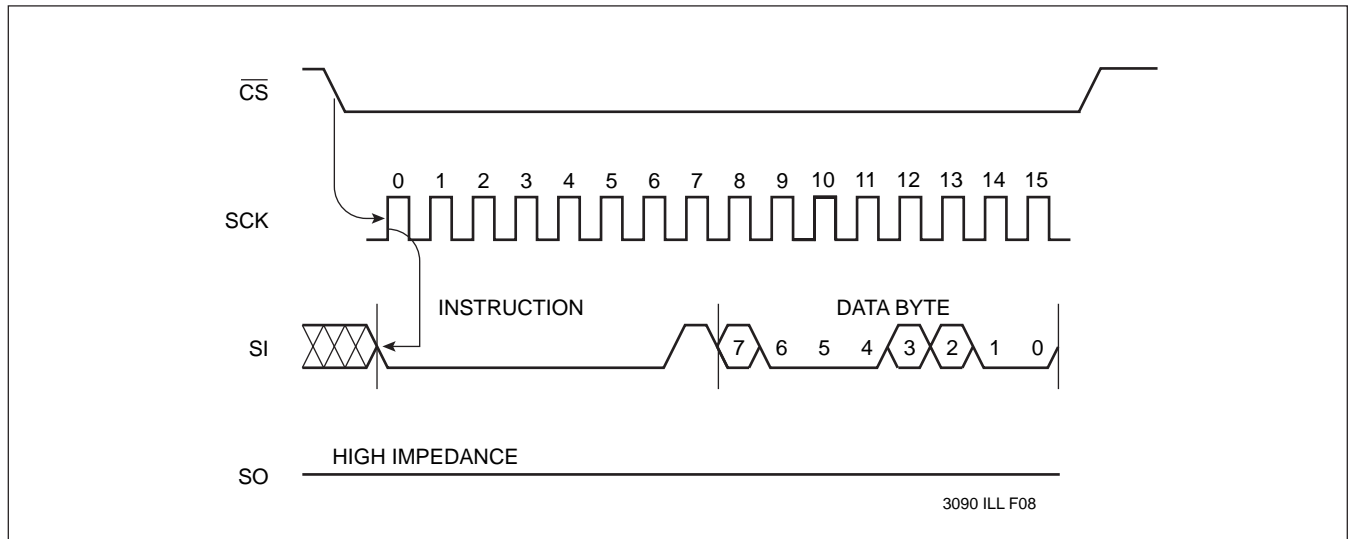


Figure 6. Write Status Register Operation Sequence



X25080

ABSOLUTE MAXIMUM RATINGS*

| | |
|--|-----------------|
| Temperature under Bias | -65°C to +135°C |
| Storage Temperature | -65°C to +150°C |
| Voltage on any Pin with Respect to V _{SS} | -1V to +7V |
| D.C. Output Current | 5mA |
| Lead Temperature (Soldering, 10 seconds) | 300°C |

*COMMENT

Stresses above those listed under “Absolute Maximum Ratings” may cause permanent damage to the device. This is a stress rating only and the functional operation of the device at these or any other conditions above those listed in the operational sections of this specification is not implied. Exposure to absolute maximum rating conditions for extended periods may affect device reliability.

RECOMMENDED OPERATING CONDITIONS

| Temp | Min. | Max. |
|------------|-------|--------|
| Commercial | 0°C | +70°C |
| Industrial | -40°C | +85°C |
| Military | -55°C | +125°C |

3090 PGM T06.1

| Supply Voltage | Limits |
|----------------|--------------|
| X25080 | 5V ±10% |
| X25080-2.7 | 2.7V to 5.5V |

3090 PGM T07.1

D.C. OPERATING CHARACTERISTICS (Over the recommended operating conditions unless otherwise specified.)

| Symbol | Parameter | Limits | | Units | Test Conditions |
|--------------------------------|--|-----------------------|-----------------------|-------|---|
| | | Min. | Max. | | |
| I _{CC} | V _{CC} Supply Current (Active) | | 5 | mA | SCK = V _{CC} x 0.1/V _{CC} x 0.9 @ 2MHz, SO = Open, \overline{CS} = V _{SS} |
| I _{SB} | V _{CC} Supply Current (Standby) | | 1 | μA | \overline{CS} = V _{CC} , V _{IN} = V _{SS} or V _{CC} |
| I _{LI} | Input Leakage Current | | 10 | μA | V _{IN} = V _{SS} to V _{CC} |
| I _{LO} | Output Leakage Current | | 10 | μA | V _{OUT} = V _{SS} to V _{CC} |
| V _{IL} ⁽¹⁾ | Input LOW Voltage | -1 | V _{CC} x 0.3 | V | |
| V _{IH} ⁽¹⁾ | Input HIGH Voltage | V _{CC} x 0.7 | V _{CC} + 0.5 | V | |
| V _{OL1} | Output LOW Voltage | | 0.4 | V | V _{CC} = 5V, I _{OL} = 3mA |
| V _{OH1} | Output HIGH Voltage | V _{CC} - 0.8 | | V | V _{CC} = 5V, I _{OH} = -1.6mA |
| V _{OL2} | Output LOW Voltage | | 0.4 | V | V _{CC} = 3V, I _{OL} = 1.5mA |
| V _{OH2} | Output HIGH Voltage | V _{CC} - 0.3 | | V | V _{CC} = 3V, I _{OH} = -0.4mA |

3090 PGM T08.3

POWER-UP TIMING

| Symbol | Parameter | Min. | Max. | Units |
|---------------------------------|-----------------------------|------|------|-------|
| t _{PUR} ⁽³⁾ | Power-up to Read Operation | | 1 | ms |
| t _{PUW} ⁽³⁾ | Power-up to Write Operation | | 5 | ms |

3090 PGM T09

CAPACITANCE T_A = +25°C, f = 1MHz, V_{CC} = 5V.

| Symbol | Test | Max. | Units | Conditions |
|---------------------------------|---|------|-------|-----------------------|
| C _{OUT} ⁽²⁾ | Output Capacitance (SO) | 8 | pF | V _{OUT} = 0V |
| C _{IN} ⁽²⁾ | Input Capacitance (SCK, SI, \overline{CS} , \overline{WP} , HOLD) | 6 | pF | V _{IN} = 0V |

3090 PGM T10.1

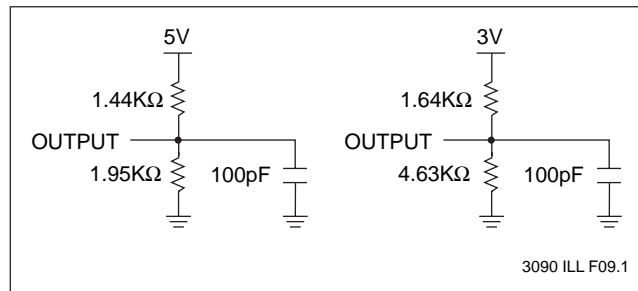
Notes: (1) V_{IL} min. and V_{IH} max. are for reference only and are not tested.

(2) This parameter is periodically sampled and not 100% tested.

(3) t_{PUR} and t_{PUW} are the delays required from the time V_{CC} is stable until the specified operation can be initiated. These parameters are periodically sampled and not 100% tested.

X25080

EQUIVALENT A.C. LOAD CIRCUIT



A.C. TEST CONDITIONS

| | |
|-------------------------------|--|
| Input Pulse Levels | $V_{CC} \times 0.1$ to $V_{CC} \times 0.9$ |
| Input Rise and Fall Times | 10ns |
| Input and Output Timing Level | $V_{CC} \times 0.5$ |

3090 PGM T11

A.C. CHARACTERISTICS (Over recommended operating conditions, unless otherwise specified)

Data Input Timing

| Symbol | Parameter | Min. | Max. | Units |
|----------------|-------------------------------|------|------|---------|
| f_{SCK} | Clock Frequency | 0 | 2 | MHz |
| t_{CYC} | Cycle Time | 500 | | ns |
| t_{LEAD} | \overline{CS} Lead Time | 250 | | ns |
| t_{LAG} | \overline{CS} Lag Time | 250 | | ns |
| t_{WH} | Clock HIGH Time | 200 | | ns |
| t_{WL} | Clock LOW Time | 200 | | ns |
| t_{SU} | Data Setup Time | 50 | | ns |
| t_H | Data Hold Time | 50 | | ns |
| $t_{RI}^{(4)}$ | Data In Rise Time | | 2 | μs |
| $t_{FI}^{(4)}$ | Data In Fall Time | | 2 | μs |
| t_{HD} | \overline{HOLD} Setup Time | 100 | | ns |
| t_{CD} | \overline{HOLD} Hold Time | 100 | | ns |
| t_{CS} | \overline{CS} Deselect Time | 2.0 | | μs |
| $t_{WC}^{(5)}$ | Write Cycle Time | | 10 | ms |

3090 PGM T12.2

Data Output Timing

| Symbol | Parameter | Min. | Max. | Units |
|----------------|---|------|------|-------|
| f_{SCK} | Clock Frequency | 0 | 2 | MHz |
| t_{DIS} | Output Disable Time | | 250 | ns |
| t_V | Output Valid from Clock LOW | | 200 | ns |
| t_{HO} | Output Hold Time | 0 | | ns |
| $t_{RO}^{(4)}$ | Output Rise Time | | 100 | ns |
| $t_{FO}^{(4)}$ | Output Fall Time | | 100 | ns |
| $t_{LZ}^{(4)}$ | \overline{HOLD} HIGH to Output in Low Z | 100 | | ns |
| $t_{HZ}^{(4)}$ | \overline{HOLD} LOW to Output in High Z | 100 | | ns |

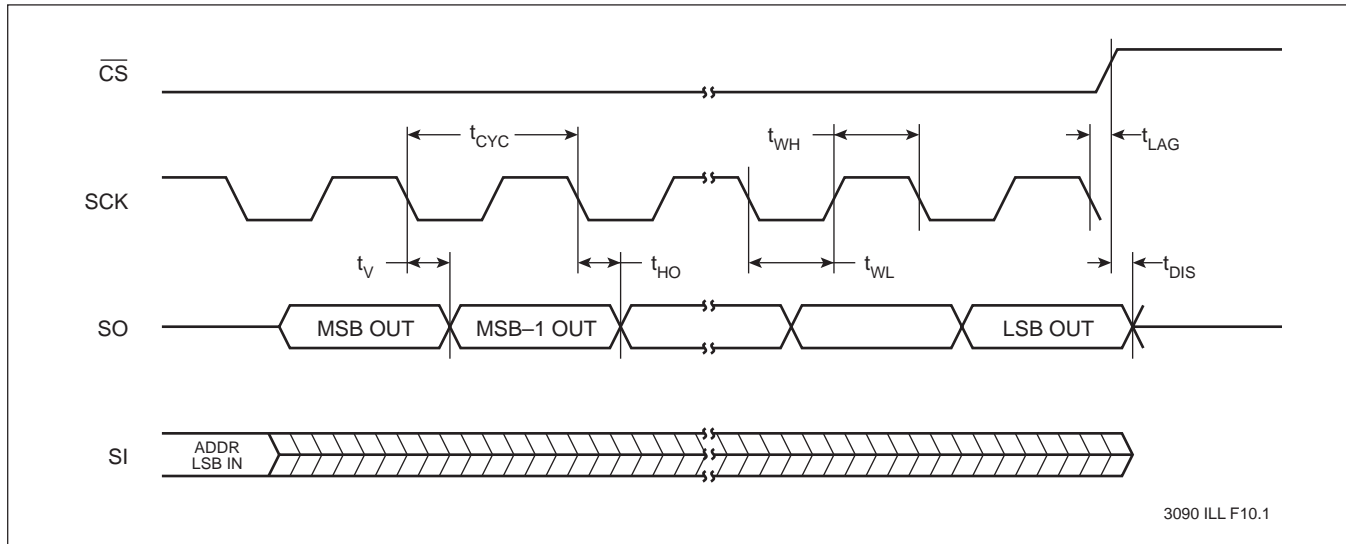
3090 PGM T13.2

Notes: (4) This parameter is periodically sampled and not 100% tested.

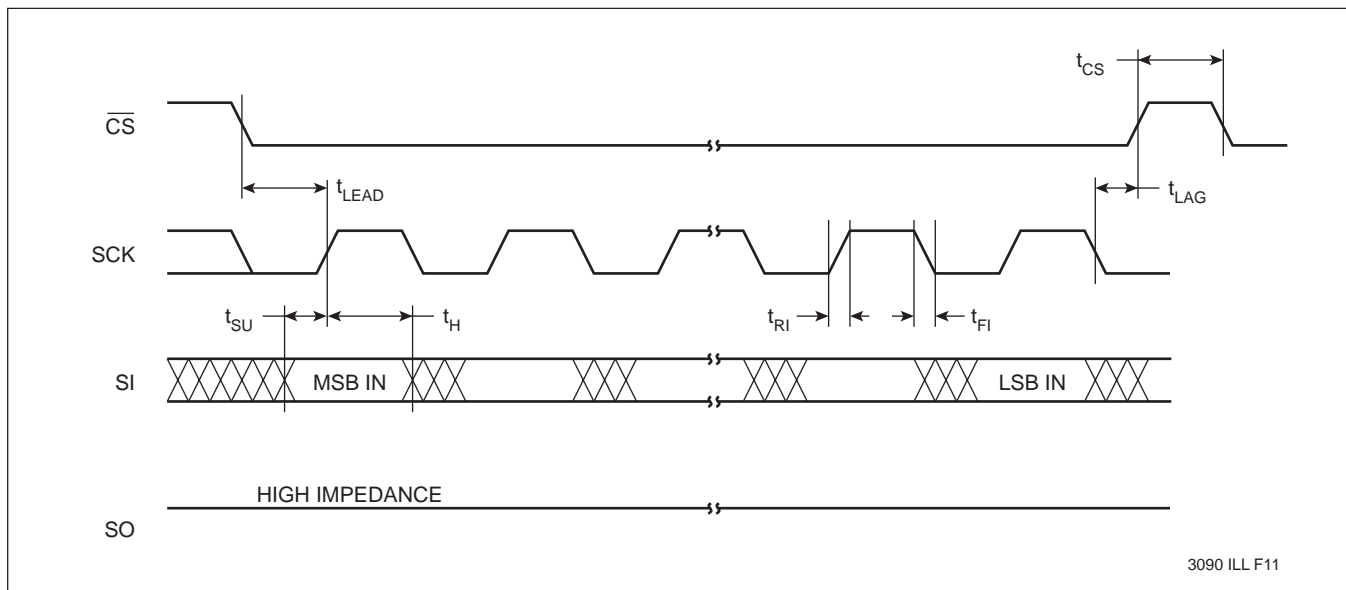
(5) t_{WC} is the time from the rising edge of \overline{CS} after a valid write sequence has been sent to the end of the self-timed internal nonvolatile write cycle.

X25080

Serial Output Timing

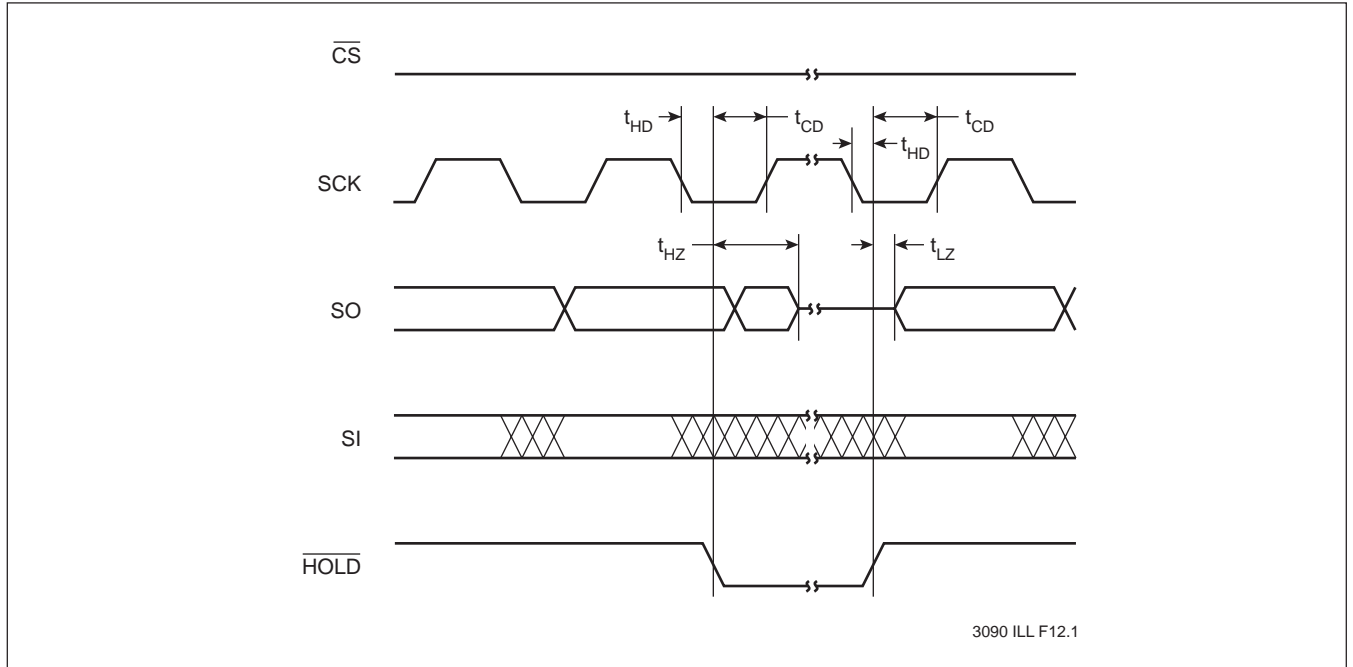


Serial Input Timing



X25080

Hold Timing

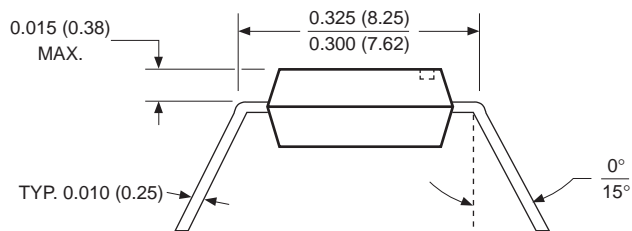
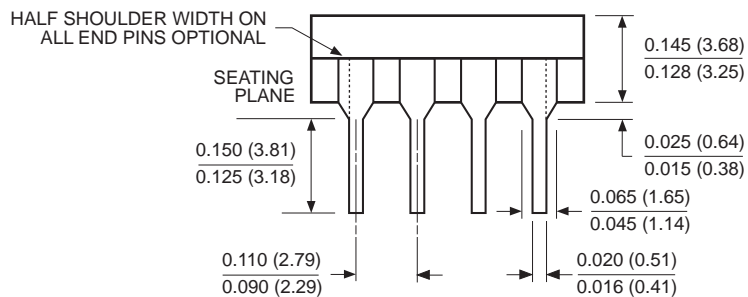
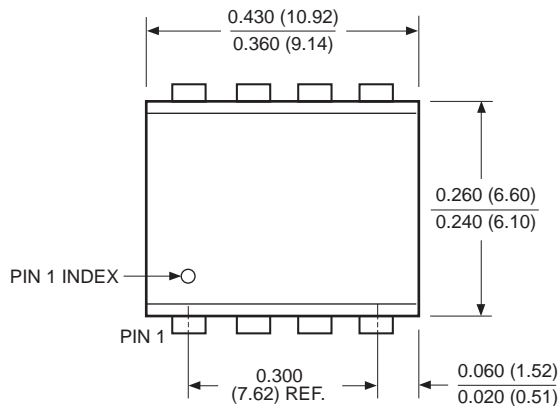


SYMBOL TABLE

| WAVEFORM | INPUTS | OUTPUTS |
|----------|-----------------------------|-------------------------------|
| | Must be steady | Will be steady |
| | May change from LOW to HIGH | Will change from LOW to HIGH |
| | May change from HIGH to LOW | Will change from HIGH to LOW |
| | Don't Care: Changes Allowed | Changing: State Not Known |
| | N/A | Center Line is High Impedance |

PACKAGING INFORMATION

8-LEAD PLASTIC DUAL IN-LINE PACKAGE TYPE P



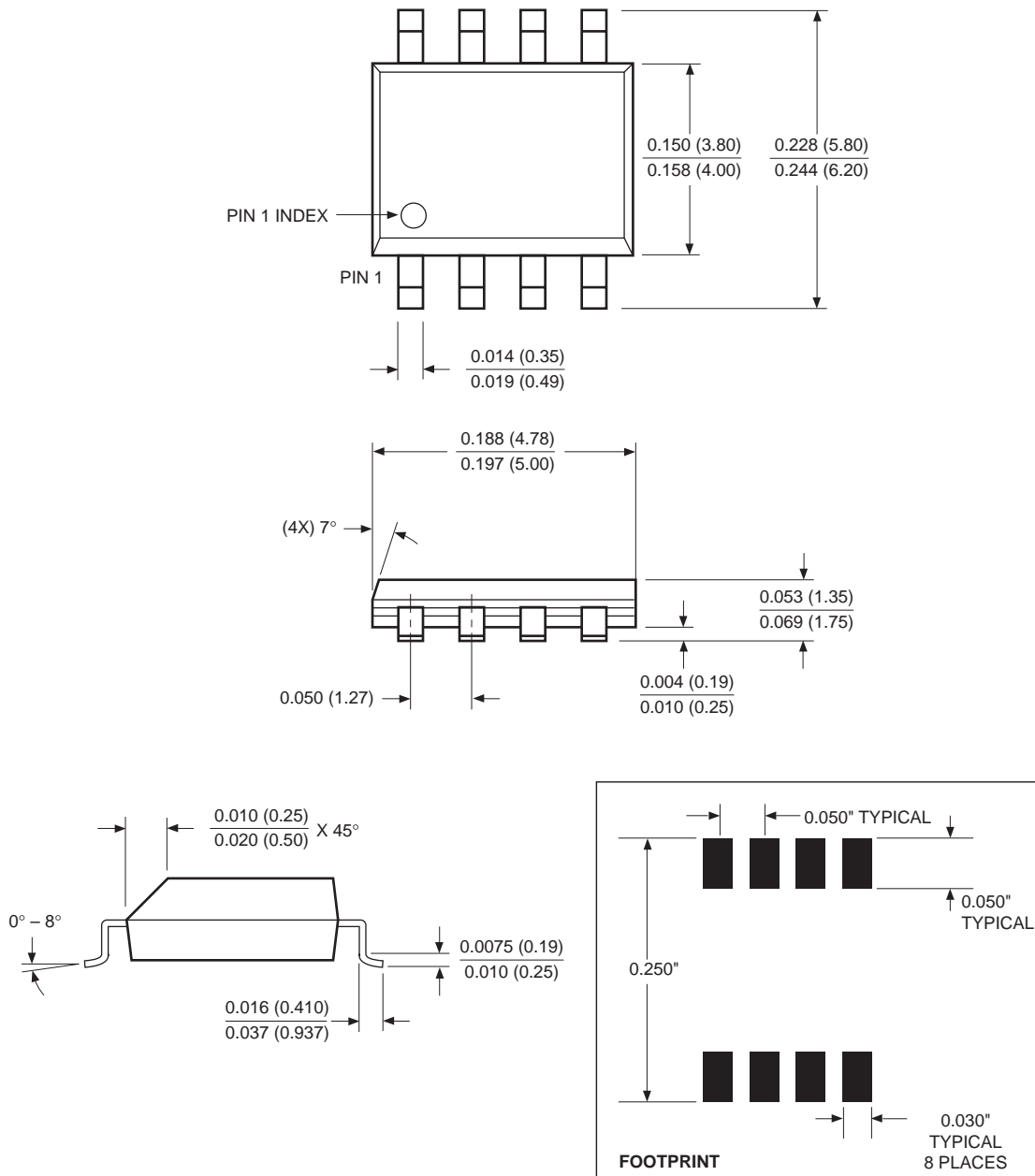
NOTE:

1. ALL DIMENSIONS IN INCHES (IN PARENTHESES IN MILLIMETERS)
2. PACKAGE DIMENSIONS EXCLUDE MOLDING FLASH

X25080

PACKAGING INFORMATION

8-LEAD PLASTIC SMALL OUTLINE GULL WING PACKAGE TYPE S



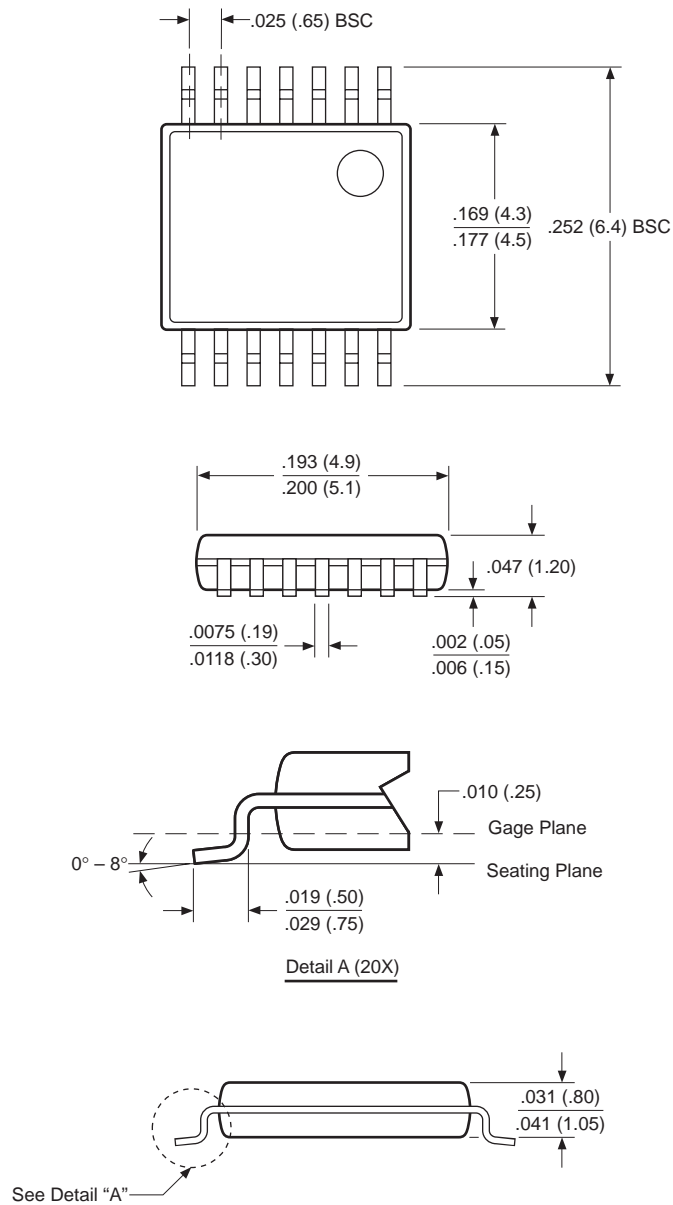
NOTE: ALL DIMENSIONS IN INCHES (IN PARENTHESES IN MILLIMETERS)

3926 FHD F22.1

X25080

PACKAGING INFORMATION

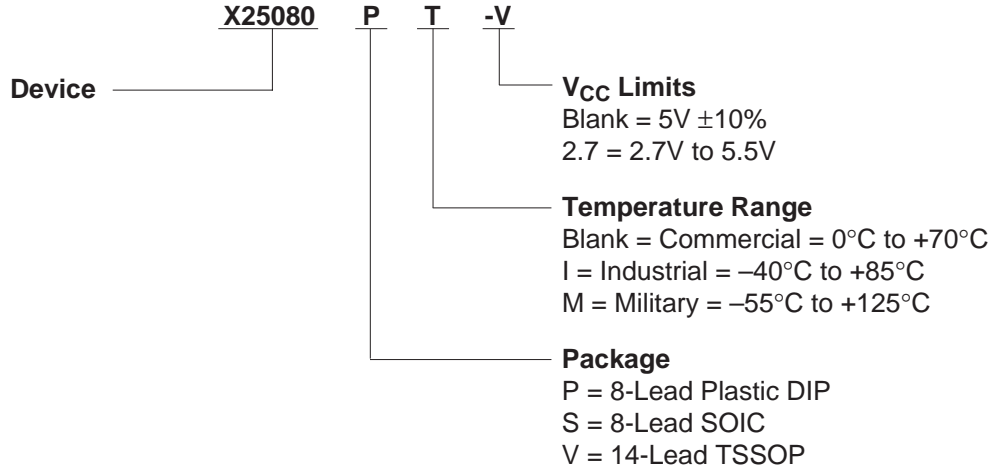
14-LEAD PLASTIC, TSSOP PACKAGE TYPE V



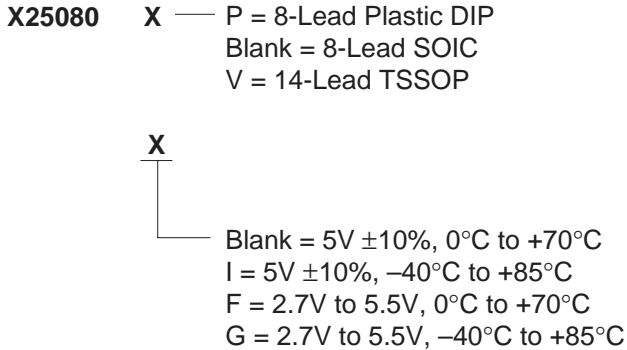
NOTE: ALL DIMENSIONS IN INCHES (IN PARENTHESES IN MILLIMETERS)

X25080

ORDERING INFORMATION



Part Mark Convention



LIMITED WARRANTY

Devices sold by Xicor, Inc. are covered by the warranty and patent indemnification provisions appearing in its Terms of Sale only. Xicor, Inc. makes no warranty, express, statutory, implied, or by description regarding the information set forth herein or regarding the freedom of the described devices from patent infringement. Xicor, Inc. makes no warranty of merchantability or fitness for any purpose. Xicor, Inc. reserves the right to discontinue production and change specifications and prices at any time and without notice.

Xicor, Inc. assumes no responsibility for the use of any circuitry other than circuitry embodied in a Xicor, Inc. product. No other circuits, patents, licenses are implied.

U.S. PATENTS

Xicor products are covered by one or more of the following U.S. Patents: 4,263,664; 4,274,012; 4,300,212; 4,314,265; 4,326,134; 4,393,481; 4,404,475; 4,450,402; 4,486,769; 4,488,060; 4,520,461; 4,533,846; 4,599,706; 4,617,652; 4,668,932; 4,752,912; 4,829,482; 4,874,967; 4,883,976. Foreign patents and additional patents pending.

LIFE RELATED POLICY

In situations where semiconductor component failure may endanger life, system designers using this product should design the system with appropriate error detection and correction, redundancy and back-up features to prevent such an occurrence.

Xicor's products are not authorized for use in critical components in life support devices or systems.

1. Life support devices or systems are devices or systems which, (a) are intended for surgical implant into the body, or (b) support or sustain life, and whose failure to perform, when properly used in accordance with instructions for use provided in the labeling, can be reasonably expected to result in a significant injury to the user.
2. A critical component is any component of a life support device or system whose failure to perform can be reasonably expected to cause the failure of the life support device or system, or to affect its safety or effectiveness.