

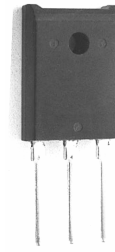


BU508DF

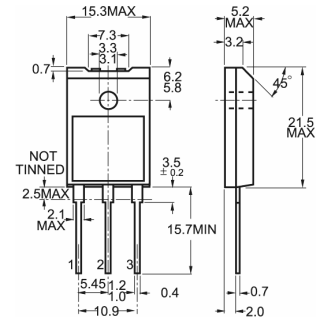
SILICON DIFFUSED POWER TRANSISTOR

GENERAL DESCRIPTION

High voltage, high-speed switching npn transistors in a plastic envelope with integrated efficiency, primarily for use in horizontal deflection circuits of colour television receivers



TOP-3Fa



QUICK REFERENCE DATA

SYMBOL	PARAMETER	CONDITIONS	MIN	MAX	UNIT
V_{CESM}	Collector-emitter voltage peak value	$V_{BE} = 0V$	-	1500	V
V_{CEO}	Collector-emitter voltage (open base)		-	600	V
I_C	Collector current (DC)		-	8	A
I_{CM}	Collector current peak value		-	15	A
P_{tot}	Total power dissipation	$T_{mb} \leq 25^\circ C$	-	60	W
V_{CEsat}	Collector-emitter saturation voltage	$I_C = 4.5A; I_B = 2.0A$	-	1.5	V
I_{csat}	Collector saturation current	$f = 16KHz$	-	-	A
V_F	Diode forward voltage	$I_F = 4.0A$	-	2.0	V
t_f	Fall time	$I_C = 4.5A, I_{B1} = -I_{B2} = 1.2A, V_{CC} = 140V$	-	1.0	μs

LIMITING VALUES

SYMBOL	PARAMETER	CONDITIONS	MIN	MAX	UNIT
V_{CESM}	Collector-emitter voltage peak value	$V_{BE} = 0V$	-	1500	V
V_{CEO}	Collector-emitter voltage (open base)		-	600	V
I_C	Collector current (DC)		-	8	A
I_{CM}	Collector current peak value		-	15	A
I_B	Base current (DC)		-	4	A
I_{BM}	Base current peak value		-	6	A
P_{tot}	Total power dissipation	$T_{mb} \leq 25^\circ C$	-	60	W
T_{sto}	Storage temperature		-55	150	$^\circ C$
T_j	Junction temperature		-	150	$^\circ C$

ELECTRICAL CHARACTERISTICS

SYMBOL	PARAMETER	CONDITIONS	MIN	MAX	UNIT
I_{CE}	Collector cut-off current	$V_{BE} = 0V; V_{CE} = V_{CESMmax}$	-	1.0	mA
I_{CES}	Collector saturation current	$V_{BE} = 0V; V_{CE} = V_{CESMmax}$	-	2.0	mA
$V_{CEOsust}$	Collector-emitter sustaining voltage	$T_j = 125^\circ C$ $I_B = 0A; I_C = 100mA$ $L = 25mH$	-	-	V
V_{CEsat}	Collector-emitter saturation voltages	$I_C = 4.5A; I_B = 2.0A$	-	1.5	V
V_{BEsat}	Base-emitter saturation voltage	$I_C = 4.5A; I_B = 2.0A$	-	2.5	V
h_{FE}	DC current gain	$I_C = 1A; V_{CE} = 5V$	8	30	
V_F	Diode forward voltage	$I_F = 4.0A$	-	2.0	V
f_T	Transition frequency at $f = 1MHz$	$I_C = 0.1A; V_{CE} = 10V$	3	-	MHz
C_c	Collector capacitance at $f = 1MHz$	$V_{CB} = 10V$	-	135	pF
t_s	Switching times (16KHz line deflection circuit)	$I_C = 4.5A, I_{B1} = -I_{B2} = 1.2A, V_{CC} = 140V$	-	7.0	μs
t_f	Turn-off storage time Turn-off fall time	$I_C = 4.5A, I_{B1} = -I_{B2} = 1.2A, V_{CC} = 140V$	-	1.0	μs