



REVISION HISTORY

REVISION	DESCRIPTION	Release Date
Preliminary Rev. 0.1	Original.	Nov 28, 2001
Rev. 1.0	1.Add fast access time : 100ns 2.Revise "FEATURES" Operating : 40/25→40/35/25mA (I _{cc} max.) 3.Revise "FEATURES" Standby : L -version : T _A =0 ~50 , 20 uA(max.)→20 uA(TYP.) LL-version : T _A =0 ~50 , 3 uA(max.) → 2 uA(TYP.) 4.Revise 36 TFBGA Outline Dimension ball size : 0.3mm→0.35mm	Aug 30, 2002
Rev. 1.1	1.Revised "FEATURES" Operating current : 40/35/25mA(I _{CC} max)→20/18/15mA (I _{CC} typ.) 2.TRUTH TABLE & DC ELECTRICAL : Delete I _{SB2} 3.Revised V _{TERM} : -0.5 to V _{CC} +0.3V → -0.5 to 4.6V 4.Added V _{OH} : 2.7V at V _{CC} =3.0V 5.Revised DC (I _{CC} max) 45/35/25mA→35/30/25mA (I _{CC} typ.) 30/25/20mA→20/18/15mA 6.Add under/overshoot range of V _{IL} & V _{IH} 7.Revised AC t _{OHZ} *@100ns (max): 35ns→30ns t _{WHZ} *(max) :30/30/40→20/25/30ns 8.Revised "Data retention Characteristics" : I _{DR} -LL (Typ.) : NA→1uA, I _{DR} -L (Typ.) : NA→10uA I _{DR} -LL (Max.) : 25uA→6uA t _R (min) : 5ns→"t _{RC} " 9.Add order information for lead free product	Apr 28, 2003



FEATURES

- Fast access time :
 - 55ns(max.) for Vcc=2.7V~3.6V
 - 70/100ns(max.) for Vcc=2.5V~3.6V
- CMOS low power operation
 - Operating : 20/18/15mA (TYP.)
 - Standby : 20 uA(TYP.) L -version
 - 2 uA(TYP.) LL-version
- Single 2.5V~3.6V power supply
- Operating temperature:
 - Industrial : -40 ~85
- All TTL compatible inputs and outputs
- Fully static operation
- Three state outputs
- Data retention voltage: 1.5V (min)
- Package : 32-pin 8mm x 20mm TSOP-
 - 32-pin 8mm x 13.4mm STSOP
 - 36-pin 6mm x 8mm TFBGA

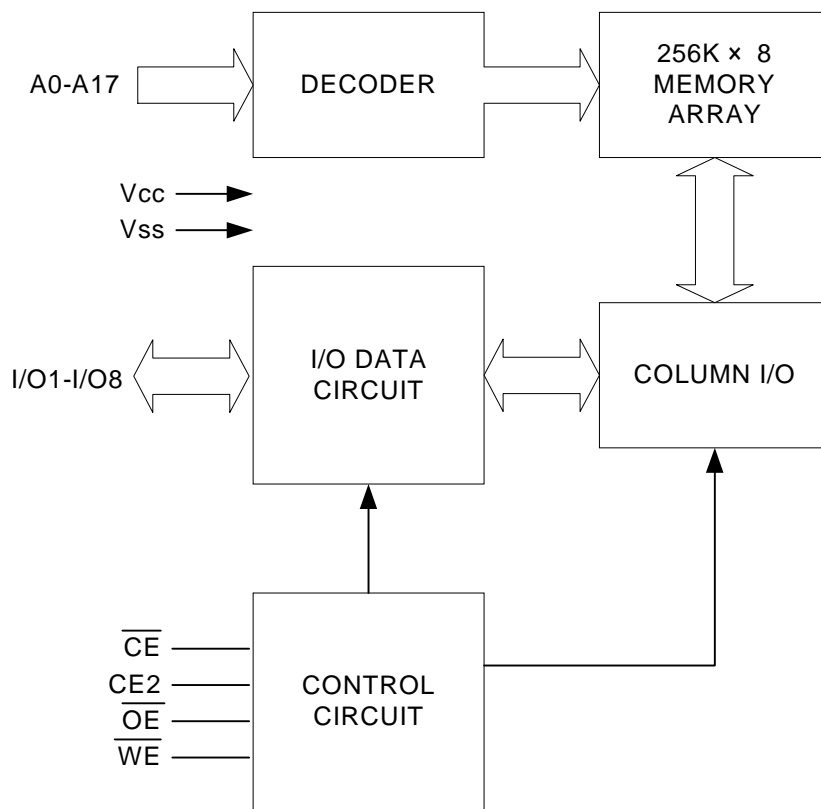
GENERAL DESCRIPTION

The UT62L2568(I) is a 2,097,152-bit low power CMOS static random access memory organized as 262,144 words by 8 bits. It is fabricated using high performance, high reliability CMOS technology.

The UT62L2568(I) is designed for very low power system applications. It is particularly well suited for battery back-up nonvolatile memory applications.

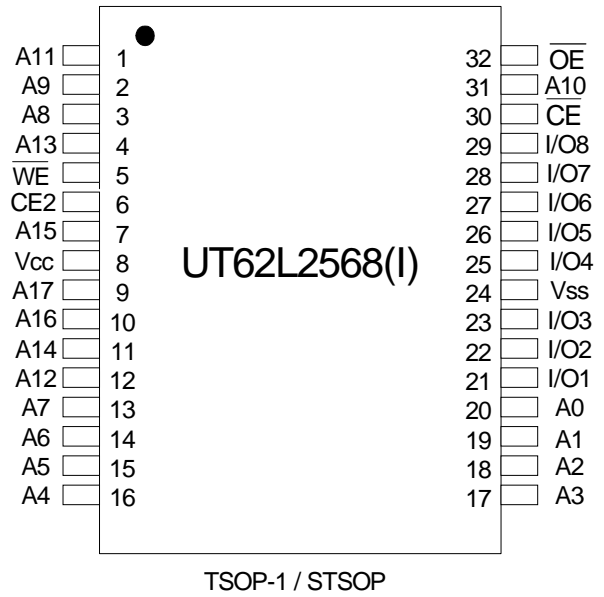
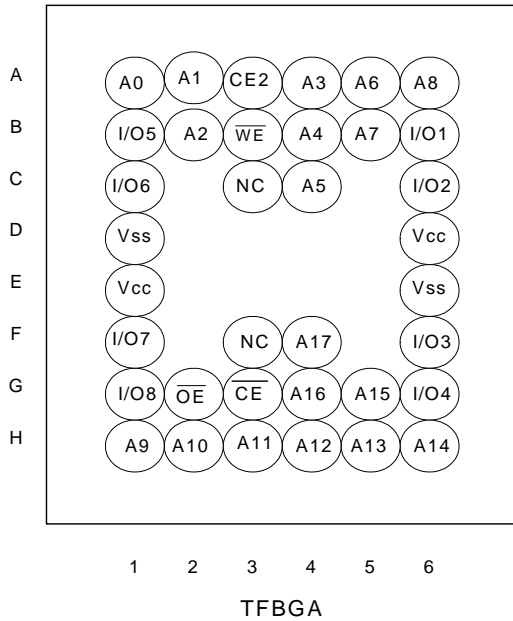
It operates from a wide range of 2.5V~ 3.6V supply voltage. Easy memory expansion is provided by using two chip enable input (CE, CE2). And all inputs and three-state outputs are fully TTL compatible.

FUNCTIONAL BLOCK DIAGRAM





PIN CONFIGURATION



PIN DESCRIPTION

SYMBOL	DESCRIPTION
A0 - A17	Address Inputs
I/O1 - I/O8	Data Inputs/Outputs
\overline{CE} , CE2	Chip Enable Inputs
\overline{WE}	Write Enable Input
\overline{OE}	Output Enable Input
V _{CC}	Power Supply
V _{SS}	Ground
NC	No Connection



TRUTH TABLE

MODE	\overline{CE}	CE2	\overline{OE}	\overline{WE}	I/O OPERATION	SUPPLY CURRENT
Standby	H	X	X	X	High - Z	I_{SB}, I_{SB1}
	X	L	X	X	High - Z	I_{SB}, I_{SB1}
Output Disable	L	H	H	H	High - Z	I_{CC}, I_{CC1}, I_{CC2}
Read	L	H	L	H	D_{OUT}	I_{CC}, I_{CC1}, I_{CC2}
Write	L	H	X	L	D_{IN}	I_{CC}, I_{CC1}, I_{CC2}

Note: H = V_{IH} , L = V_{IL} , X = Don't care.

ABSOLUTE MAXIMUM RATINGS*

PARAMETER	SYMBOL	RATING	UNIT
Terminal Voltage with Respect to V_{SS}	V_{TERM}	-0.5 to 4.6	V
Operating Temperature Industrial	T_A	-40 to 85	
Storage Temperature	T_{STG}	-65 to 150	
Power Dissipation	P_D	1	W
DC Output Current	I_{OUT}	50	mA
Soldering Temperature (under 10 secs)	T_{solder}	260	

*Stresses greater than those listed under "Absolute Maximum Ratings" may cause permanent damage to the device. This is a stress rating only and functional operation of the device or any other conditions above those indicated in the operational sections of this specification is not implied. Exposure to the absolute maximum rating conditions for extended period may affect device reliability.

DC ELECTRICAL CHARACTERISTICS ($V_{CC} = 2.5V \sim 3.6V$, $T_A = -40$ to 85)

PARAMETER	SYMBOL	TEST CONDITION	MIN.	TYP.	MAX.	UNIT	
Power Voltage	V_{CC}		55	2.7	3.0	3.6	V
			70/100	2.5	3.0	3.6	V
Input High Voltage	V_{IH}^{*1}		2.2	-	$V_{CC}+0.3$	V	
Input Low Voltage	V_{IL}^{*2}		-0.2	-	0.6	V	
Input Leakage Current	I_{LI}	V_{SS} V_{IN} V_{CC}	-1	-	1	μA	
Output Leakage Current	I_{LO}	V_{SS} V_{IO} V_{CC} , Output Disabled	-1	-	1	μA	
Output High Voltage	V_{OH}	$I_{OH} = -1mA$ ($I_{OH} = -0.5mA$ when $V_{CC} < 2.7V$)	2.2	2.7	-	V	
Output Low Voltage	V_{OL}	$I_{OL} = 2.1mA$	-	-	0.4	V	
Operating Current	I_{CC}	Cycle time=Min.100% duty, $\overline{CE} = V_{IL}$ and $CE2 = V_{IH}$, $I_{IO} = 0mA$	55	-	20	35	mA
			70	-	18	30	mA
			100	-	15	25	mA
	I_{CC1}	100%duty, $I_{IO} = 0mA$, $\overline{CE} = 0.2V$ and $CE2 = V_{CC} - 0.2V$, other pins at 0.2V or $V_{CC} - 0.2V$	$T_{Cycle} = 1\mu s$	-	4	5	mA
I_{CC2}	at 0.2V or $V_{CC} - 0.2V$	$T_{Cycle} = 500ns$	-	8	10	mA	
Standby Current (TTL)	I_{SB}	$\overline{CE} = V_{IH}$ or $CE2 = V_{IL}$	-	0.3	0.5	mA	
Standby Current (CMOS)	I_{SB1}	$\overline{CE} = V_{CC} - 0.2V$ or $CE2 = 0.2V$, other pins at 0.2V or $V_{CC} - 0.2V$	-L	-	20	80	μA
			-LL	-	2	10	μA

Notes:

1. Overshoot : $V_{CC} + 3.0V$ for pulse width less than 10ns.
2. Undershoot : $V_{SS} - 3.0V$ for pulse width less than 10ns.
3. Overshoot and Undershoot are sampled, not 100% tested.

**CAPACITANCE** ($T_A=25$, $f=1.0\text{MHz}$)

PARAMETER	SYMBOL	MIN.	MAX	UNIT
Input Capacitance	C_{IN}	-	6	pF
Input/Output Capacitance	$C_{I/O}$	-	8	pF

Note : These parameters are guaranteed by device characterization, but not production tested.

AC TEST CONDITIONS

Input Pulse Levels	0V to 3V
Input Rise and Fall Times	5ns
Input and Output Timing Reference Levels	1.5V
Output Load	$C_L = 30\text{pF} + 1\text{TTL}$, $I_{OH} = -1\text{mA}$, $I_{OL} = 2.1\text{mA}$

AC ELECTRICAL CHARACTERISTICS ($T_A = -40$ to 85)**(1) READ CYCLE**

PARAMETER	SYMBOL	UT62L2568(I)-55		UT62L2568(I)-70		UT62L2568(I)-100		UNIT
		$V_{CC} = 2.7\text{V} \sim 3.6\text{V}$		$V_{CC} = 2.5\text{V} \sim 3.6\text{V}$		$V_{CC} = 2.5\text{V} \sim 3.6\text{V}$		
		MIN.	MAX.	MIN.	MAX.	MIN.	MAX.	
Read Cycle Time	t_{RC}	55	-	70	-	100	-	ns
Address Access Time	t_{AA}	-	55	-	70	-	100	ns
Chip Enable Access Time	t_{ACE}	-	55	-	70	-	100	ns
Output Enable Access Time	t_{OE}	-	30	-	35	-	50	ns
Chip Enable to Output in Low Z	t_{CLZ}^*	10	-	10	-	10	-	ns
Output Enable to Output in Low Z	t_{OLZ}^*	5	-	5	-	5	-	ns
Chip Disable to Output in High Z	t_{CHZ}^*	-	20	-	25	-	30	ns
Output Disable to Output in High Z	t_{OHZ}^*	-	20	-	25	-	30	ns
Output Hold from Address Change	t_{OH}	10	-	10	-	10	-	ns

(2) WRITE CYCLE

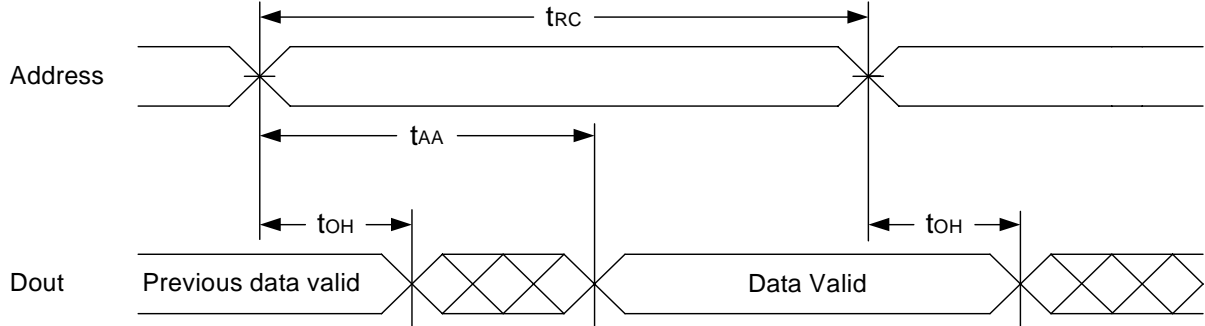
PARAMETER	SYMBOL	UT62L2568(I)-55		UT62L2568(I)-70		UT62L2568(I)-100		UNIT
		$V_{CC} = 2.7\text{V} \sim 3.6\text{V}$		$V_{CC} = 2.5\text{V} \sim 3.6\text{V}$		$V_{CC} = 2.5\text{V} \sim 3.6\text{V}$		
		MIN.	MAX.	MIN.	MAX.	MIN.	MAX.	
Write Cycle Time	t_{WC}	55	-	70	-	100	-	ns
Address Valid to End of Write	t_{AW}	50	-	60	-	80	-	ns
Chip Enable to End of Write	t_{CW}	50	-	60	-	80	-	ns
Address Set-up Time	t_{AS}	0	-	0	-	0	-	ns
Write Pulse Width	t_{WP}	45	-	55	-	70	-	ns
Write Recovery Time	t_{WR}	0	-	0	-	0	-	ns
Data to Write Time Overlap	t_{DW}	25	-	30	-	40	-	ns
Data Hold from End of Write Time	t_{DH}	0	-	0	-	0	-	ns
Output Active from End of Write	t_{OW}^*	5	-	5	-	5	-	ns
Write to Output in High Z	t_{WHZ}^*	-	20	-	25	-	30	ns

*These parameters are guaranteed by device characterization, but not production tested.

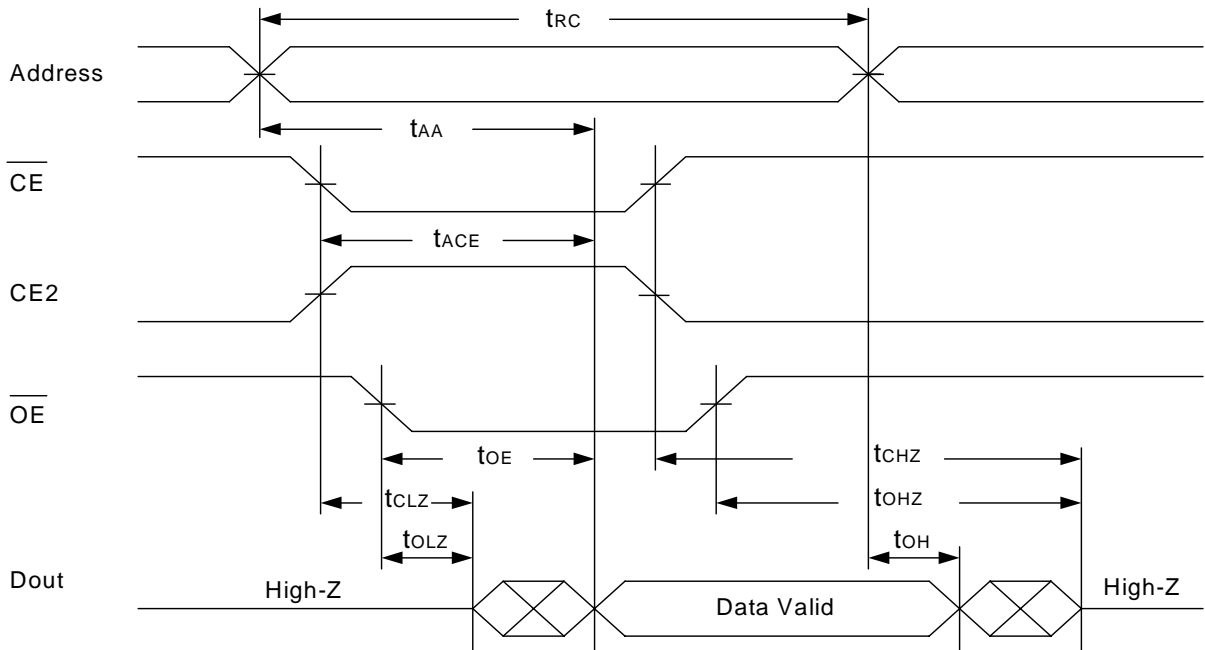


TIMING WAVEFORMS

READ CYCLE 1 (Address Controlled) (1,2)



READ CYCLE 2 (\overline{CE} and $CE2$ and \overline{OE} Controlled) (1,3,4,5)

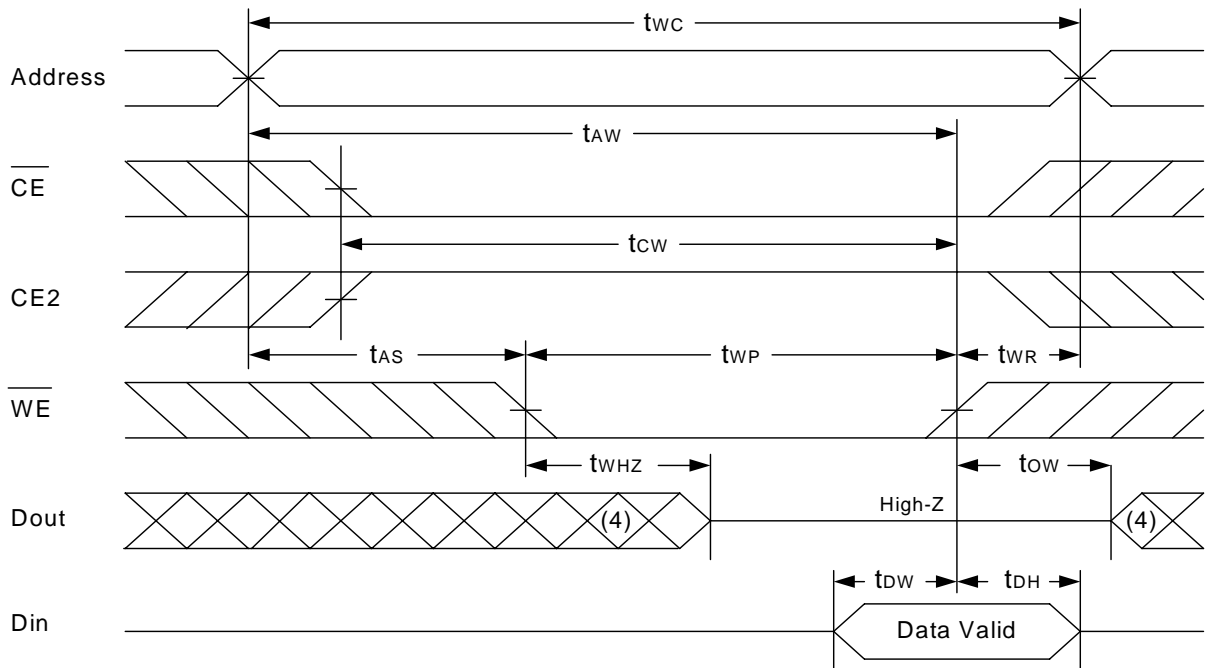


Notes :

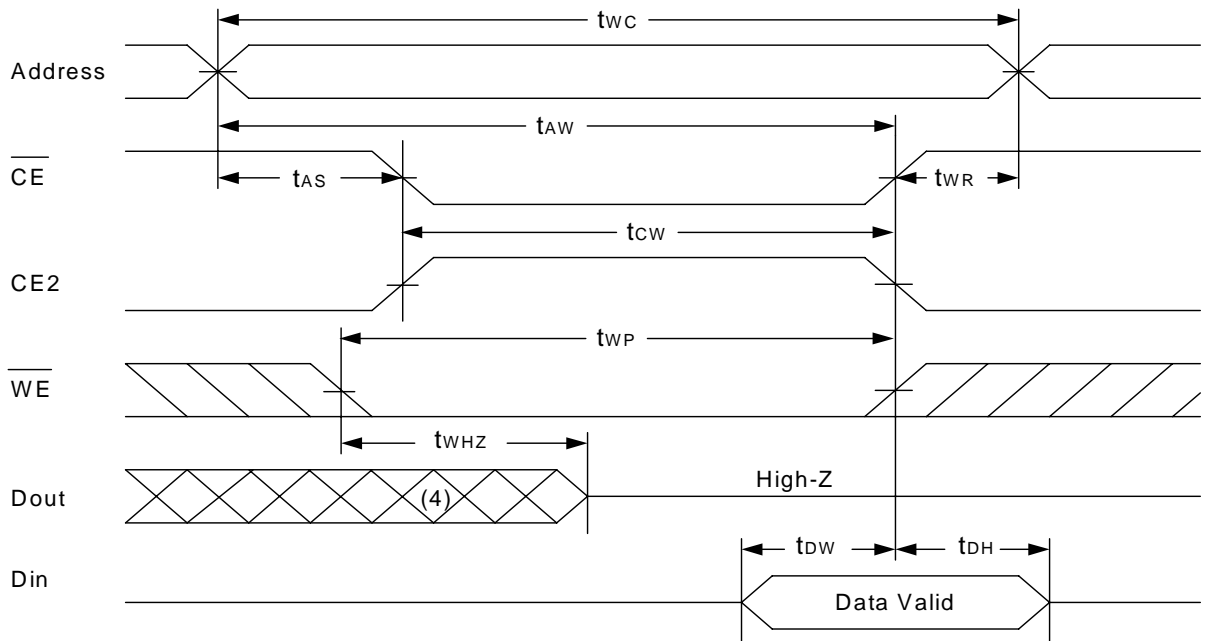
1. \overline{WE} is high for read cycle.
2. Device is continuously selected \overline{OE} =low, \overline{CE} =low, $CE2$ =high.
3. Address must be valid prior to or coincident with \overline{CE} =low, $CE2$ =high; otherwise t_{AA} is the limiting parameter.
4. t_{CLZ} , t_{OLZ} , t_{CHZ} and t_{OHZ} are specified with $C_L=5pF$. Transition is measured $\pm 500mV$ from steady state.
5. At any given temperature and voltage condition, t_{CHZ} is less than t_{CLZ} , t_{OHZ} is less than t_{OLZ} .



WRITE CYCLE 1 (\overline{WE} Controlled) (1,2,3,5,6)



WRITE CYCLE 2 (\overline{CE} and CE2 Controlled) (1,2,5,6)

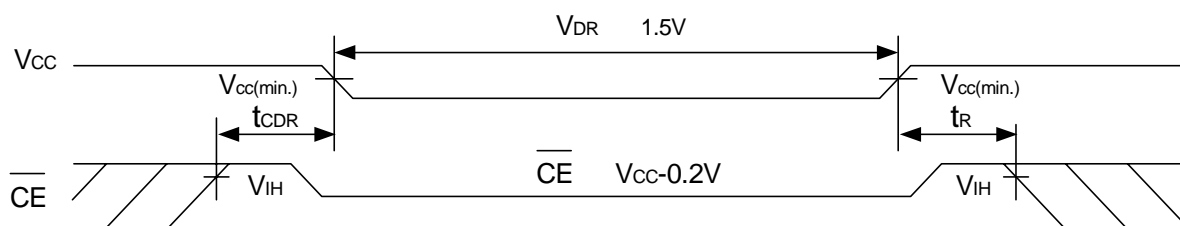
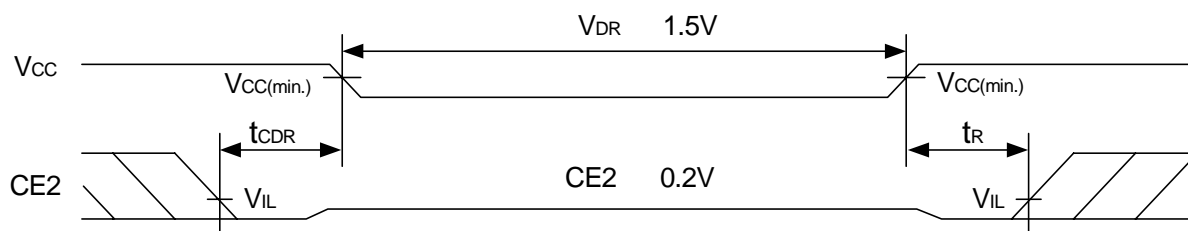


**Notes :**

1. \overline{WE} , \overline{CE} must be high or $\overline{CE2}$ must be low during all address transitions.
2. A write occurs during the overlap of a low \overline{CE} , high $\overline{CE2}$, low \overline{WE} .
3. During a \overline{WE} controlled write cycle with \overline{OE} low, t_{WP} must be greater than $t_{WHZ} + t_{DW}$ to allow the drivers to turn off and data to be placed on the bus.
4. During this period, I/O pins are in the output state, and input signals must not be applied.
5. If the \overline{CE} low transition and $\overline{CE2}$ high transition occurs simultaneously with or after \overline{WE} low transition, the outputs remain in a high impedance state.
6. t_{OW} and t_{WHZ} are specified with $C_L = 5pF$. Transition is measured $\pm 500mV$ from steady state.

DATA RETENTION CHARACTERISTICS ($T_A = -40$ to 85)

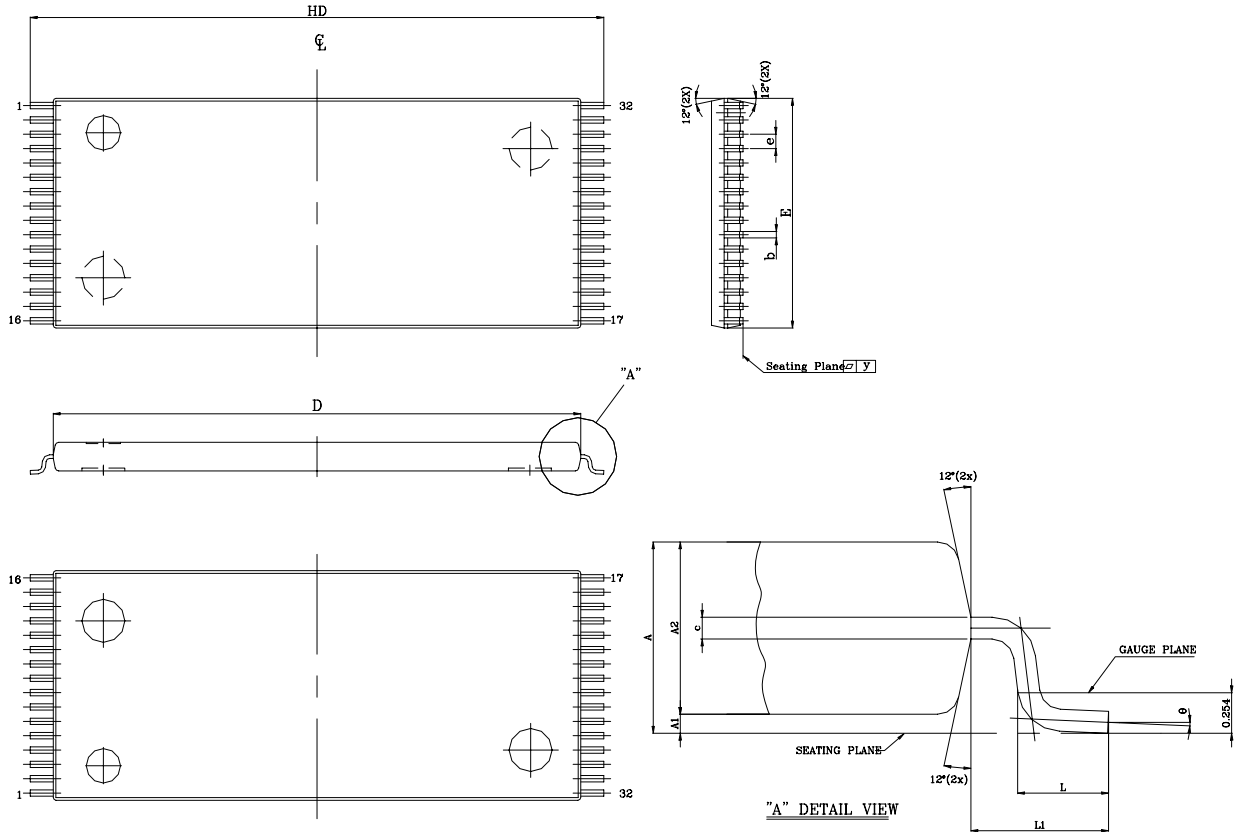
PARAMETER	SYMBOL	TEST CONDITION	MIN.	TYP.	MAX.	UNIT
Vcc for Data Retention	V_{DR}	$\overline{CE} 1$ $V_{CC}-0.2V$ or $\overline{CE2}$ $0.2V$	1.5	-	3.6	V
Data Retention Current	I_{DR}	$V_{CC}=1.5V$ $\overline{CE} 1$ $V_{CC}-0.2V$ or $\overline{CE2}$ $0.2V$	- L	10	80	μA
			- LL	1	6	μA
Chip Disable to Data Retention Time	t_{CDR}	See Data Retention Waveforms (below)	0	-	-	ns
Recovery Time	t_R		t_{RC}^*	-	-	ns

 $t_{RC}^* = \text{Read Cycle Time}$ **DATA RETENTION WAVEFORM****Low Vcc Data Retention Waveform (1)** (\overline{CE} controlled)**Low Vcc Data Retention Waveform (2)** ($\overline{CE2}$ controlled)



PACKAGE OUTLINE DIMENSION

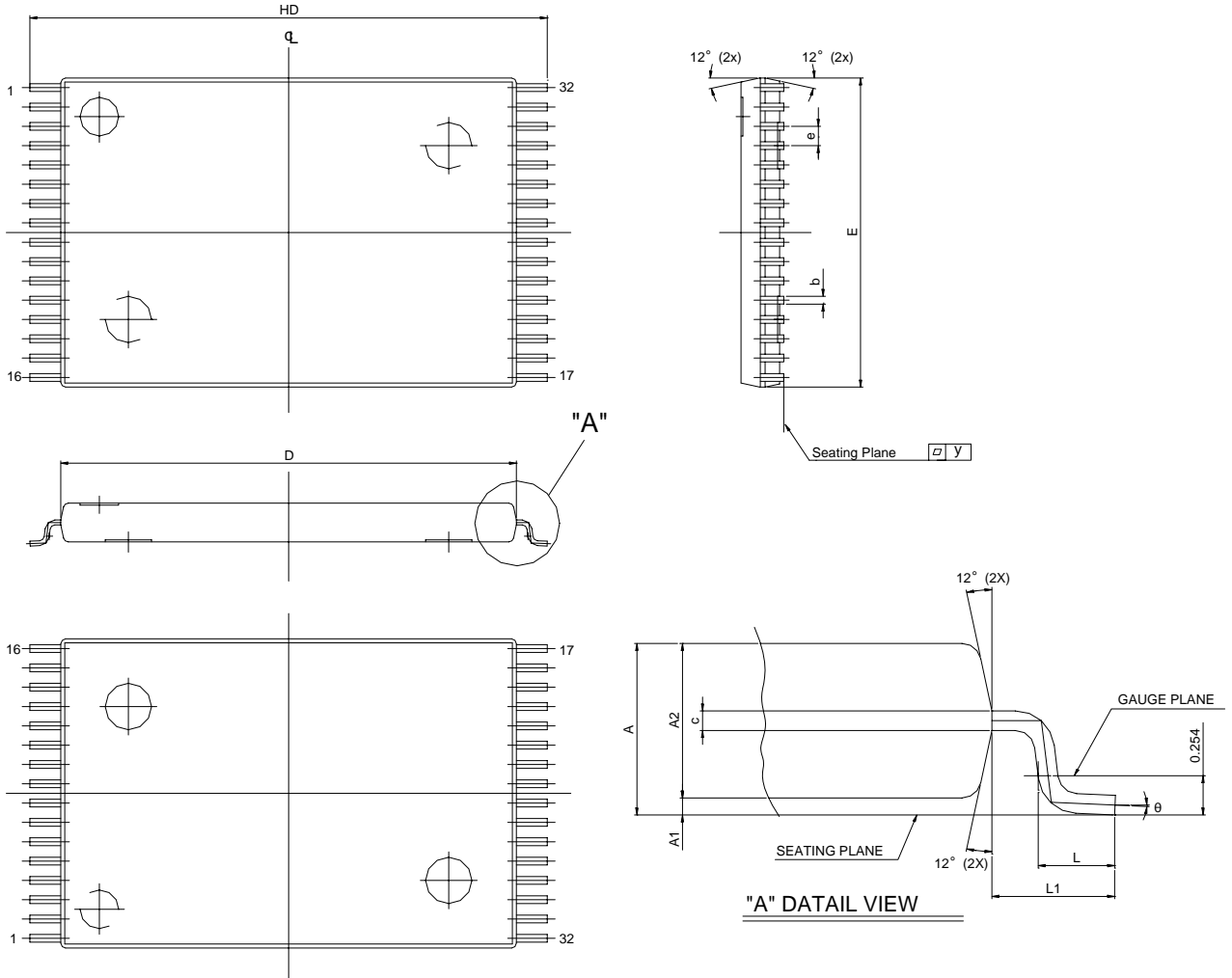
32 pin 8mm x 20mm TSOP-I Package Outline Dimension



UNIT SYMBOL	INCH(BASE)	MM(REF)
A	0.047 (MAX)	1.20 (MAX)
A1	0.004 ±0.002	0.10 ±0.05
A2	0.039 ±0.002	1.00 ±0.05
b	0.008 + 0.002 - 0.001	0.20 + 0.05 - 0.03
c	0.005 (TYP)	0.127 (TYP)
D	0.724 ±0.004	18.40 ±0.10
E	0.315 ±0.004	8.00 ±0.10
e	0.020 (TYP)	0.50 (TYP)
HD	0.787 ±0.008	20.00 ±0.20
L	0.0197 ±0.004	0.50 ±0.10
L1	0.0315 ±0.004	0.08 ±0.10
y	0.003 (MAX)	0.076 (MAX)
	0° 5°	0° 5°



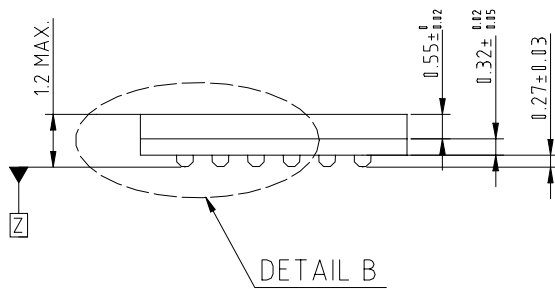
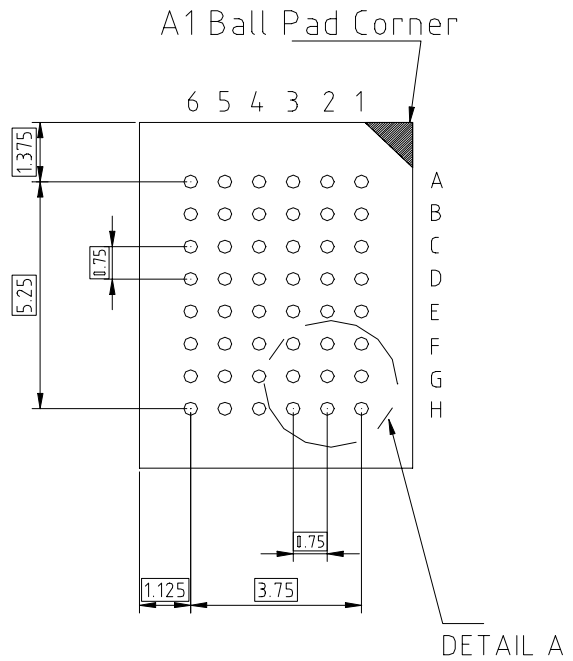
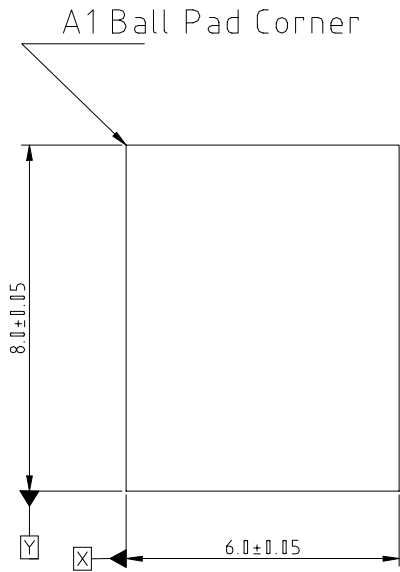
32 pin 8mm x 13.4mm STSOP Package Outline Dimension



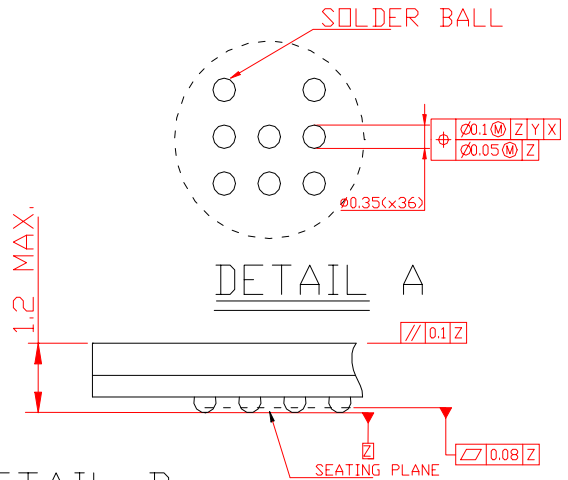
SYMBOL \ UNIT	INCH(BASE)	MM(REF)
A	0.049 (MAX)	1.25 (MAX)
A1	0.005 ±0.002	0.130 ±0.05
A2	0.039 ±0.002	1.00 ±0.05
b	0.008 ±0.01	0.20±0.025
c	0.005 (TYP)	0.127 (TYP)
D	0.465 ±0.004	11.80 ±0.10
E	0.315 ±0.004	8.00 ±0.10
e	0.020 (TYP)	0.50 (TYP)
HD	0.528±0.008	13.40 ±0.20.
L	0.0197 ±0.004	0.50 ±0.10
L1	0.0315 ±0.004	0.8 ±0.10
y	0.003 (MAX)	0.076 (MAX)
	0° 5°	0° 5°



36 pin 6mmx8mm TFBGA Package Outline Dimension



SIDE VIEW



DETAIL B



ORDERING INFORMATION

INDUSTRIAL TEMPERATURE

PART NO.	ACCESS TIME (ns)	STANDBY CURRENT (µA) TYP.	PACKAGE
UT62L2568LC-55LI	55	20	32 PIN TSOP-
UT62L2568LC-55LLI	55	2	32 PIN TSOP-
UT62L2568LC-70LI	70	20	32 PIN TSOP-
UT62L2568LC-70LLI	70	2	32 PIN TSOP-
UT62L2568LC-100LI	100	20	32 PIN TSOP-
UT62L2568LC-100LLI	100	2	32 PIN TSOP-
UT62L2568LS-55LI	55	20	32 PIN STSOP
UT62L2568LS-55LLI	55	2	32 PIN STSOP
UT62L2568LS-70LI	70	20	32 PIN STSOP
UT62L2568LS-70LLI	70	2	32 PIN STSOP
UT62L2568LS-100LI	100	20	32 PIN STSOP
UT62L2568LS-100LLI	100	2	32 PIN STSOP
UT62L2568BS-55LI	55	20	36 PIN TFBGA
UT62L2568BS-55LLI	55	2	36 PIN TFBGA
UT62L2568BS-70LI	70	20	36 PIN TFBGA
UT62L2568BS-70LLI	70	2	36 PIN TFBGA
UT62L2568BS-100LI	100	20	36 PIN TFBGA
UT62L2568BS-100LLI	100	2	36 PIN TFBGA

ORDERING INFORMATION (for lead free product)

INDUSTRIAL TEMPERATURE

PART NO.	ACCESS TIME (ns)	STANDBY CURRENT (µA) TYP.	PACKAGE
UT62L2568LCL-55LI	55	20	32 PIN TSOP-
UT62L2568LCL-55LLI	55	2	32 PIN TSOP-
UT62L2568LCL-70LI	70	20	32 PIN TSOP-
UT62L2568LCL-70LLI	70	2	32 PIN TSOP-
UT62L2568LCL-100LI	100	20	32 PIN TSOP-
UT62L2568LCL-100LLI	100	2	32 PIN TSOP-
UT62L2568LSL-55LI	55	20	32 PIN STSOP
UT62L2568LSL-55LLI	55	2	32 PIN STSOP
UT62L2568LSL-70LI	70	20	32 PIN STSOP
UT62L2568LSL-70LLI	70	2	32 PIN STSOP
UT62L2568LSL-100LI	100	20	32 PIN STSOP
UT62L2568LSL-100LLI	100	2	32 PIN STSOP
UT62L2568BSL-55LI	55	20	36 PIN TFBGA
UT62L2568BSL-55LLI	55	2	36 PIN TFBGA
UT62L2568BSL-70LI	70	20	36 PIN TFBGA
UT62L2568BSL-70LLI	70	2	36 PIN TFBGA
UT62L2568BSL-100LI	100	20	36 PIN TFBGA
UT62L2568BSL-100LLI	100	2	36 PIN TFBGA



Rev. 1.1

UTRON

UT62L2568(I)
256K X 8 BIT LOW POWER CMOS SRAM

This page is left blank intentionally.